

GT-TC031X-HXXX-LXA

A=Base With Pilot
N=Non Pilot

G-SWITCH

Operating Force

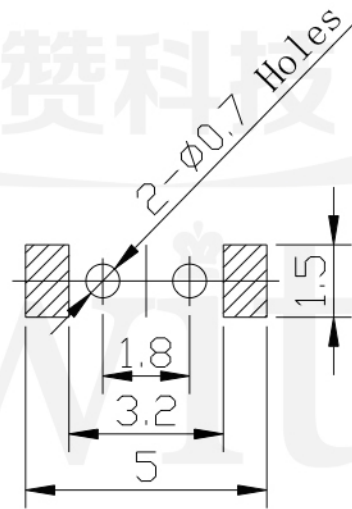
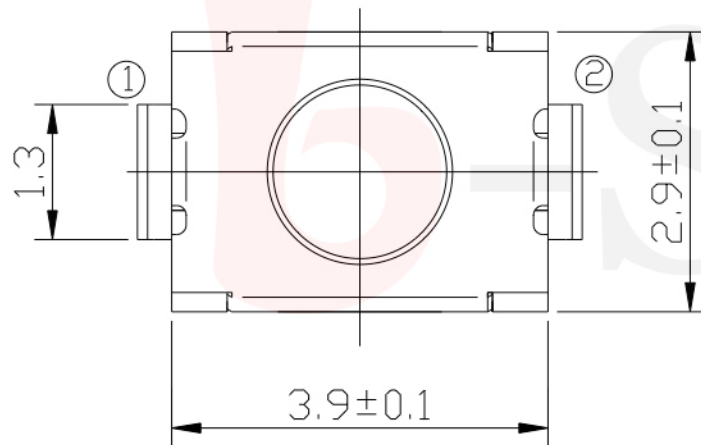
- A=160gf
- B=250gf
- C=100gf
- D=400gf

Switch Height (mm)

- H015=1.5mm
- H020=2.0mm
- H025=2.5mm
- H030=3.0mm

Switch lifetime (Force)

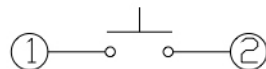
L1=100,000 Cycles



PCB. 焊接及开孔尺寸图

G-Switch Specification:

Operating temperature range: -30°C to +85°C
 Rating: 50mA.12V DC
 Insulation resistance: 100MΩ min.100V DC
 Dielectric strength: 250V AC for 1 min
 Contact resistance: 100m Ω max.
 Travel: 0.13±0.05mm



电路图

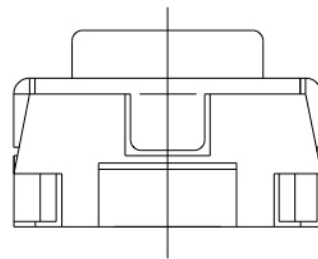
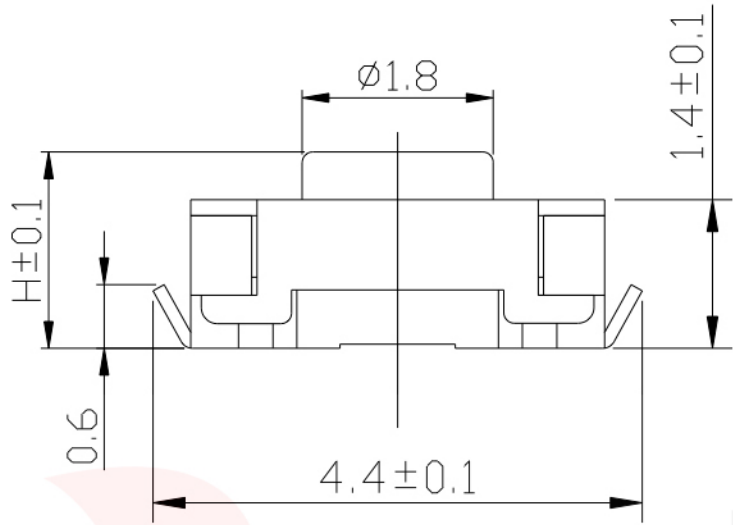


G-Switch Electronic (HongKong) CO.,Ltd.

Unless otherwise specified, Tolerance:
 X. ±0.30
 X.x ±0.20
 X.xx ±0.15
 X.xxx ±0.10
 Angles ±3°

DESIGN 陈锋枫 DATE 2019.05.29
 CHECKED DATE
 APPROVED DATE
<http://www.dg-switch.com>
 TEL: 0769-82388879

Molde code:
 GT-TC031X-HXXX-LXA
 REV.: X1 SCALE: 4:1 UNIT: mm
 SIZE: A4 SHEET: 1/1



GT-TC031X-HXXX-LXN

A=Base With Pilot
N=Non Pilot

G-SWITCH

Operating Force

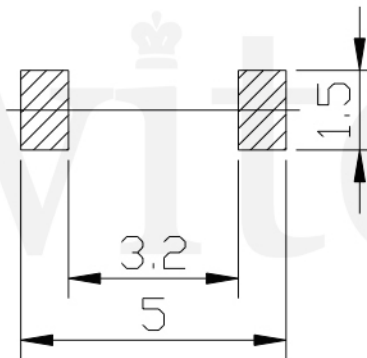
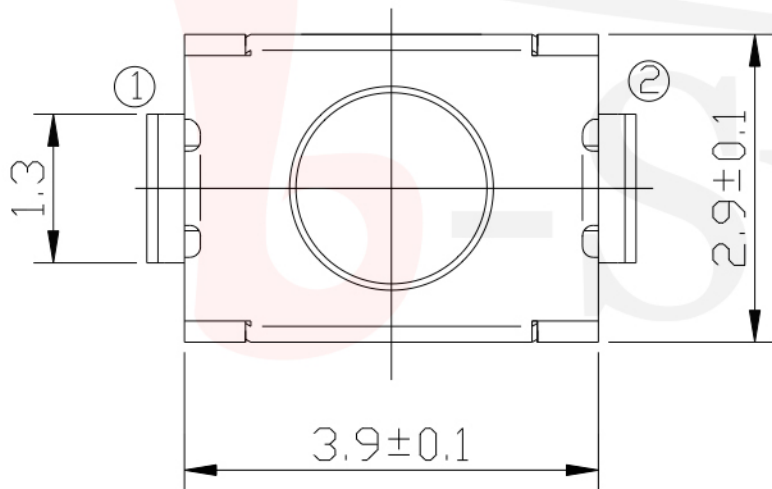
- A=160gf
- B=250gf
- C=100gf
- D=400gf

Switch Height (mm)

- H015=1.5mm
- H020=2.0mm
- H025=2.5mm
- H030=3.0mm

Switch lifetime (Force)

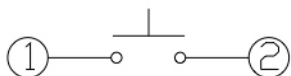
L1=100,000 Cycles



PCB. 焊接及开孔尺寸图

G-Switch Specification:

Operating temperature range: -30°C to +85°C
 Rating: 50mA, 12V DC
 Insulation resistance: 100MΩ min, 100V DC
 Dielectric strength: 250V AC for 1 min
 Contact resistance: 100mΩ max.
 Travel: 0.13±0.05mm



电路图



G-Switch Electronic (HongKong) CO.,Ltd.

Unless otherwise specified, Tolerance:
 X. ±0.30
 X.x ±0.20
 X.xx ±0.15
 X.xxx ±0.10
 Angles ±3°

DESIGN	陈锋枫	DATE	2019.05.29
CHECKED		DATE	
APPROVED		DATE	
http://www.dg-switch.com			
TEL: 0769-82388879			

Molde code:		
GT-TC031B-HXXX-L1N		
REV.: X1	SCALE: 4:1	UNIT: mm
SIZE: A4	SHEET: 1/1	