

GT-TC049X-HXXX-LX

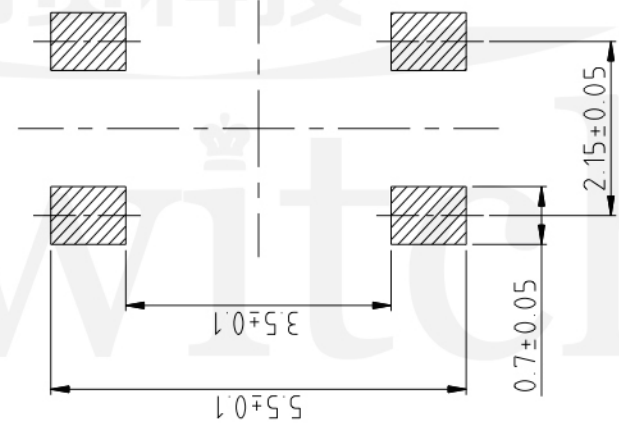
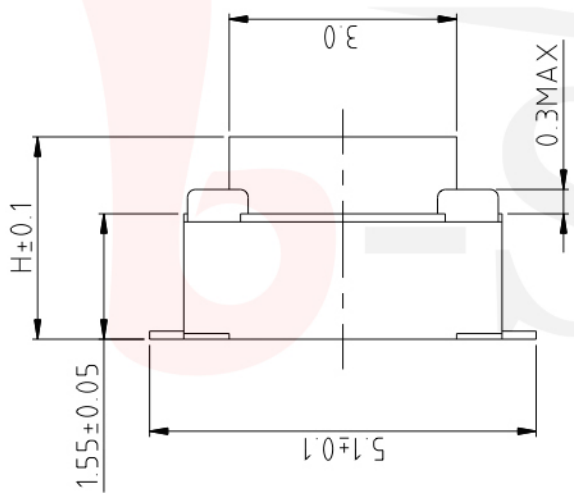
G-SWITCH

**Operating Force**  
 A=160gf  
 B=250gf  
 C=100gf  
 D=400gf

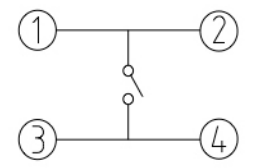
**Switch Height (mm)**  
 H025=2.5mm

**Switch lifetime (Force)**  
 L1=100,000 Cycles  
 L5=500,000 Cycles

**G-Switch Specification:**  
 Operating temperature range: -30°C to +85°C  
 Rating: 50mA, 24V DC  
 Insulation resistance: 100MΩ min. 100V DC  
 Dielectric strength: 250V AC for 1 min  
 Contact resistance: 100mΩ max.  
 Travel: 0.20±0.1mm



P.C.B LAND DIMENSION



CIRCUIT DIAGRAM



**b-Switch**  
 Unless otherwise specified, Tolerance:  
 X. ±0.30  
 X.x ±0.20  
 X.xx ±0.15  
 X.xxx ±0.10  
 Angles ±3°

<b>G-Switch Electronic (HongKong) CO.,Ltd.</b>			
DESIGN	陈锋枫	DATE	2019.05.29
CHECKED		DATE	
APPROVED		DATE	
http://www.dg-switch.com		REV.:	X1
TEL: 0769-82388879		SCALE:	4:1
		UNIT:	mm
		SHEET:	1/1

Molde code: GT-TC049X-HXXX-LX