

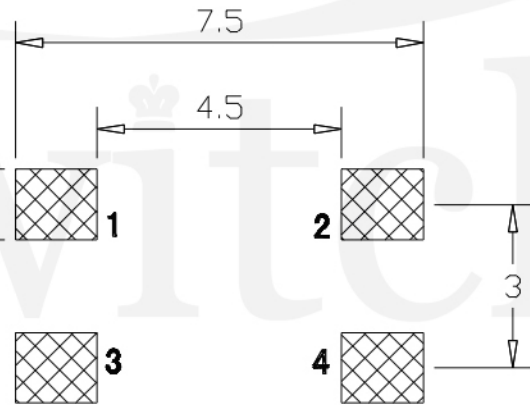
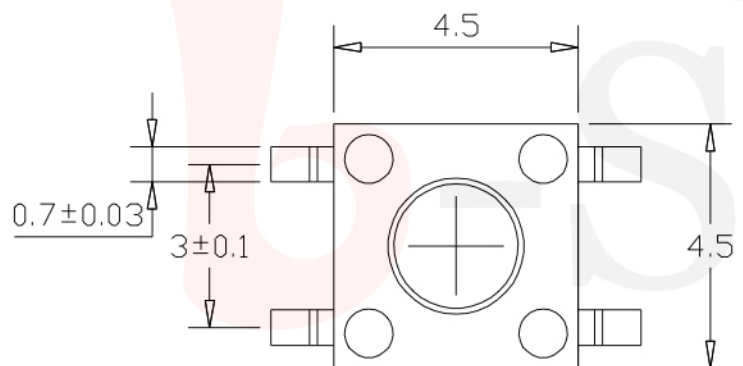
**GT-TC200X-HXXX-LX**

**G-SWITCH**

**Operating Force**  
 A=160gf  
 B=250gf  
 C=120gf

**Switch Height (mm)**  
 H028=2.8mm  
 H032=3.2mm

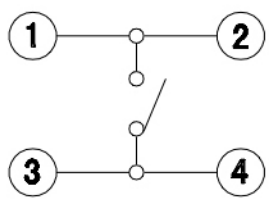
**Switch lifetime (Force)**  
 L1=100,000 Cycles



**P.C.B LAND DIMENSION**

**G-Switch Specification:**

Operating temperature range : -30°Cto+85°C  
 Rating : 50mA.12V DC  
 Insulation resistance: : 100MΩ min.100V DC  
 Dielectric strength : 250V AC for 1 min  
 Contact resistance: : 100m Ω max.  
 Travel:0.15±0.05mm

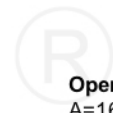


**电路图表**



	<b>G-Switch Electronic (HongKong) CO.,Ltd.</b>		
	DESIGN FengFengChen CHECKED APPROVED <a href="http://www.dg-switch.com">http://www.dg-switch.com</a> TEL:0769-82388879	DATE 2019.05.29 DATE DATE	Molde code: <b>GT-TC200X-HXXX-LX</b> REV.: X1 SCALE: 4:1 UNIT: mm SIZE: A4 SHEET: 1/1

品赞科技



A

B

C

D

E