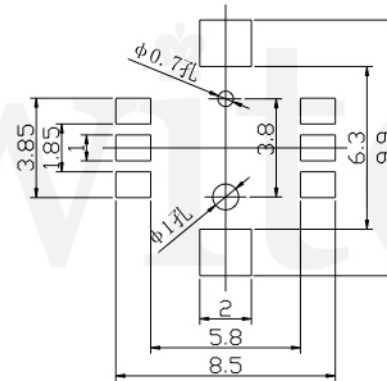
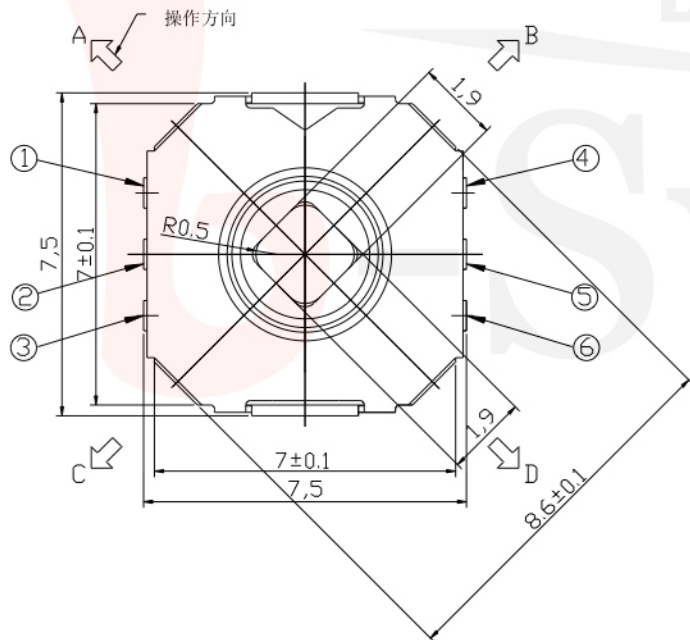


GT-TC006X-HXXX-LX

G-SWITCH Operating Force
 A=4-direction 160±50gf
 Center push 280±100gf

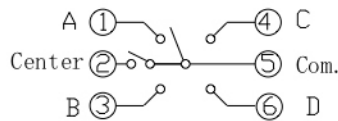
Switch Height (mm)
 H050=5.0mm
 H060=6.0mm

Switch lifetime (Force)
 L1=100,000 Cycles



P.C.B LAND DIMENSION

G-Switch Specification:
 Operating temperature range : -30°Cto+85°C
 Rating : 50mA.12V DC
 Insulation resistance : 100MΩ min.100V DC
 Dielectric strength : 250V AC for 1 min
 Contact resistance : 100m Ω max.
 Travel:4-direction 4±2° Center push 0.2±0.1mm



电路图

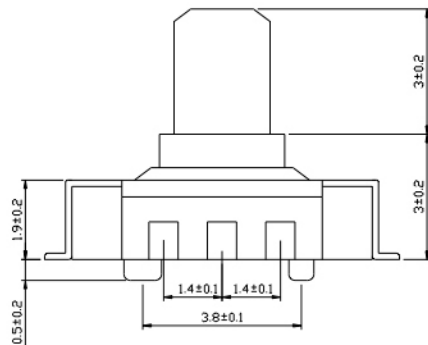
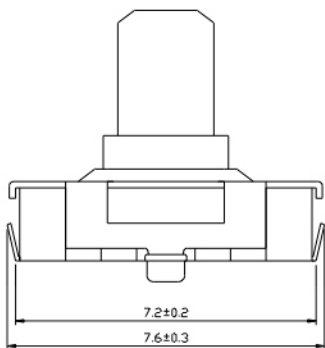


G-Switch Electronic (HongKong) CO.,Ltd.

Unless otherwise specified, Tolerance:
 X. ±0.30
 X.x ±0.20
 X.xx ±0.15
 X.xxx ±0.10
 Angles ±3°

DESIGN FengFengChen DATE 2019.05.29
 CHECKED DATE
 APPROVED DATE
<http://www.dg-switch.com>
 TEL:0769-82388879

Molde code:
GT-TC006X-HXXX-LX
 REV.: X1 SCALE: 4:1 UNIT: mm
 SIZE: A4 SHEET: 1/1

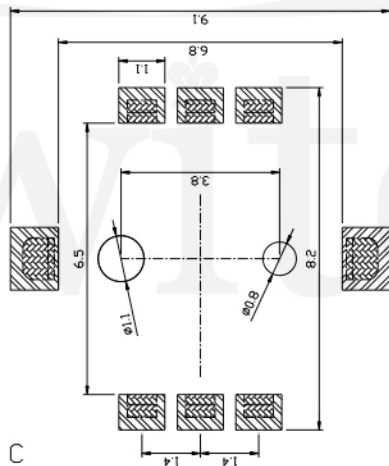
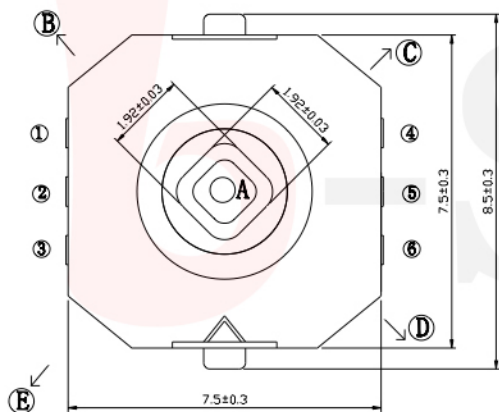


GT-TCA06X-HXXX-LX

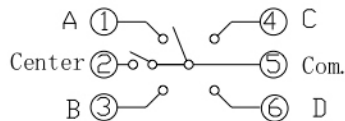
G-SWITCH Operating Force
 A=4-direction 160±50gf
 Center push 280±100gf

Switch Height (mm)
 H050=5.0mm
 H060=6.0mm

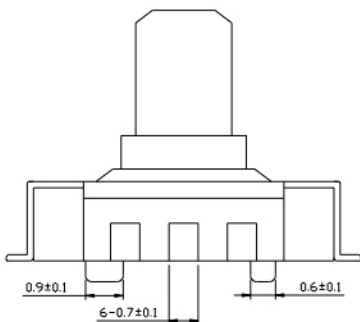
Switch lifetime (Force)
 L02=20,000 Cycles



P.C.B LAND DIMENSION



电路图



G-Switch Specification:
 Operating temperature range : -30°Cto+85°C
 Rating : 50mA.12V DC
 Insulation resistance: : 100MΩ min.100V DC
 Dielectric strength : 250V AC for 1 min
 Contact resistance: : 100m Ω max.
 Travel:4-direction 4±2° Center push 0.2±0.1mm



	G-Switch Electronic (HongKong) CO.,Ltd		
	DESIGN 陈锋枫 CHECKED APPROVED http://www.dg-switch.com TEL:0769-82388879	DATE 2016.05.29 DATE DATE http://www.dg-switch.com	Molde code: GT-TCA06X-HXXX-LX REV.: X1 SCALE: 4:1 UNIT: mm SIZE: A4 SHEET: 1/1

品赞科技

Switch