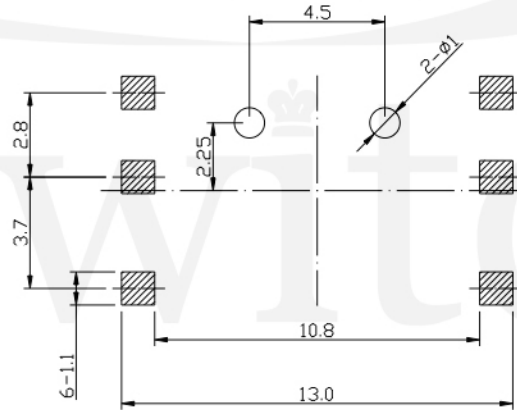
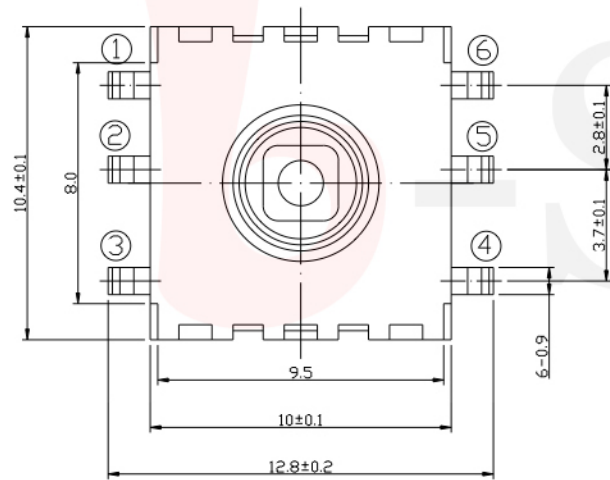


GT-TC007X-HXXX-LX

G-SWITCH Operating Force
 A=4-direction 160±80gf
 Center push 300±150gf

Switch Height (mm)
 H050=5.0mm
 H070=7.0mm
 H090=9.0mm

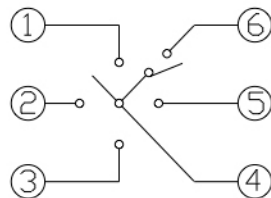
Switch lifetime (Force)
 L05=50,000 Cycles



P.C.B LAND DIMENSION

G-Switch Specification:

Operating temperature range : -30°Cto+85°C
 Rating : 50mA.12V DC
 Insulation resistance: : 100MΩ min.100V DC
 Dielectric strength : 250V AC for 1 min
 Contact resistance: : 100m Ω max.
 Travel:4-direction±2° Center push 0.2±0.1mm



CIRCUIT DIAGRAM



G-Switch Electronic (HongKong) CO.,Ltd.

Unless otherwise specified, Tolerance: X. ±0.30 X.x ±0.20 X.xx ±0.15 X.xxx ±0.10 Angles ±3°	DESIGN FengFengChen CHECKED DATE APPROVED DATE http://www.dg-switch.com TEL:0769-82388879	DATE 2019.05.29 DATE DATE REV.: X1 SCALE: 4:1 UNIT: mm SIZE: A4 SHEET: 1/1	Molde code: GT-TC007X-HXXX-LX
--	--	---	---