

### GT-TC124X-HXXX-LX

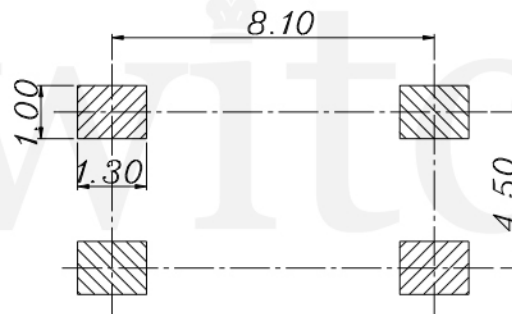
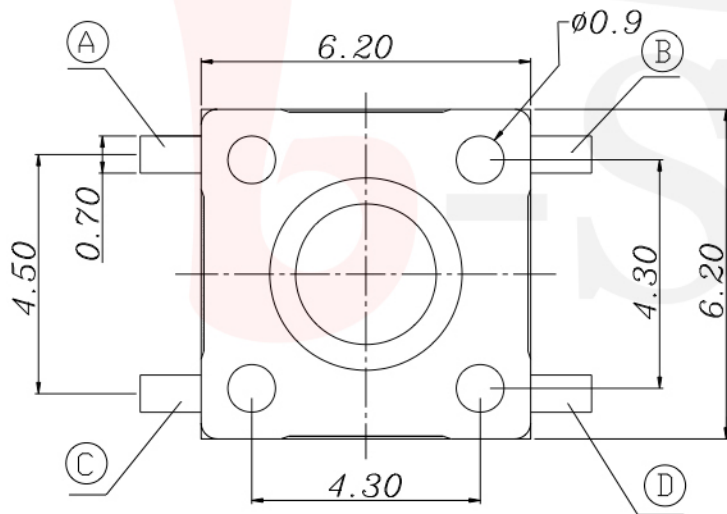
G-SWITCH



**Operating Force**  
 A=160gf  
 B=250gf  
 C=100gf

**Switch Height (mm)**  
 H045=4.5mm  
 H050=5.0mm  
 H060=6.0mm  
 H070=7.0mm

**Switch lifetime (Force)**  
 L1=100,000 Cycles

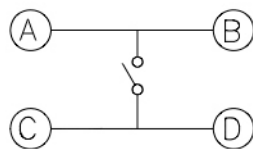


印制线路板

Recommended P.C.B layout

**G-Switch Specification:**

Operating temperature range : -30°Cto+85°C  
 Rating : 50mA, 12V DC  
 Insulation resistance : 100MΩ min. 100V DC  
 Dielectric strength : 250V AC for 1 min  
 Contact resistance : 100m Ω max.  
 Travel:0.35±0.1mm  
 WATER RESISTANCE IPX6



电路简图  
 SCHEMATIC



### G-Switch Electronic (HongKong) CO.,Ltd.

Unless otherwise specified, Tolerance: X.           ±0.30 X.x          ±0.20 X.xx         ±0.15 X.xxx        ±0.10 Angles       ±3°	DESIGN FengFengChen	DATE 2019.05.29	Molde code:		
	CHECKED	DATE	GT-TC124X-HXXX-LX		
	APPROVED	DATE			
	http://www.dg-switch.com			REV.: X1	SCALE: 4:1
TEL:0769-82388879			SIZE: A4	SHEET: 1/1	