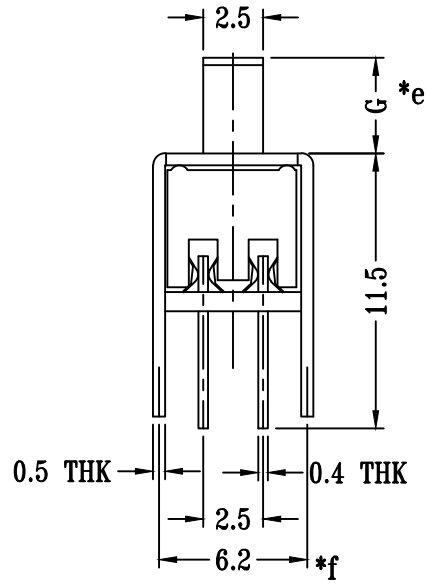
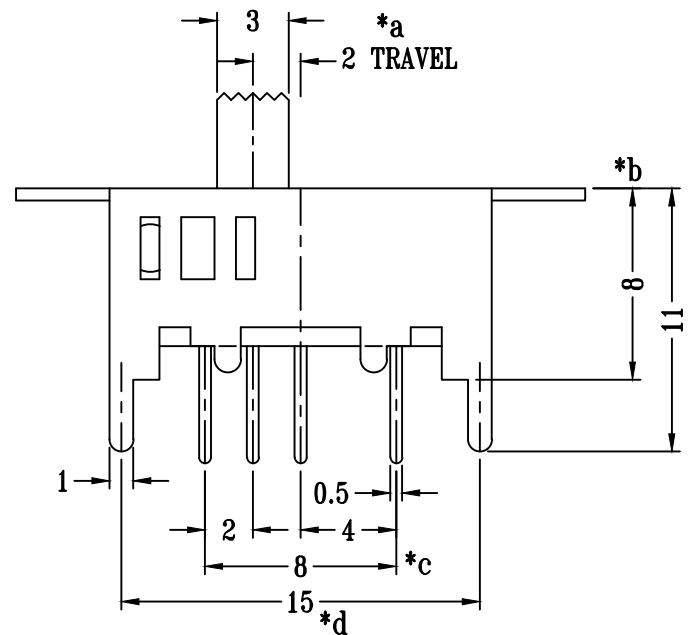


P.C.B LAYOUT
BOTTOM VIEW

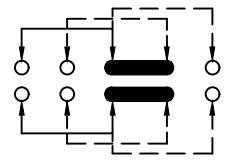


SS-23D04-GXXX

直柄
G-Switch P/N

- Switch Height (mm)**
 G020=2.0 G030=3.0
 G040=4.0 G050=5.0
 G055=5.5 G060=6.0
 G065=6.5 G070=7.0
 G075=7.5 G080=8.0
 G085=8.5 G090=9.0
 G095=9.5 G100=10.0

G-Switch Specification:
 Electrical Specifications: 1.0A/DC24V
 Contact resistance (CR): ≤50mΩ
 Insulation Resistance(IR): ≥100MΩ DC250V
 Compressive strength (WV): AC250V 1minute
 Operating temperature: -25°C~+70°C
 Storage humidity: <85%RH
 Electrical life: 10,000Cycles.



SCHEMATIC (SHORTING)



G-Switch Electronic (HongKong) CO.,Ltd.

Unless otherwise specified, Tolerance:
 X. ±0.30
 X.x ±0.20
 X.xx ±0.15
 X.xxx ±0.10
 Angles ±3°

DESIGN FengFengChen	DATE 2019.05.29	Molde code:	
CHECKED	DATE	SS-23D04-GXXX	
APPROVED	DATE		
http://www.dg-switch.com		REV.: X1	SCALE: 4:1
TEL:0769-82388879		SIZE: A4	SHEET: 1/1

