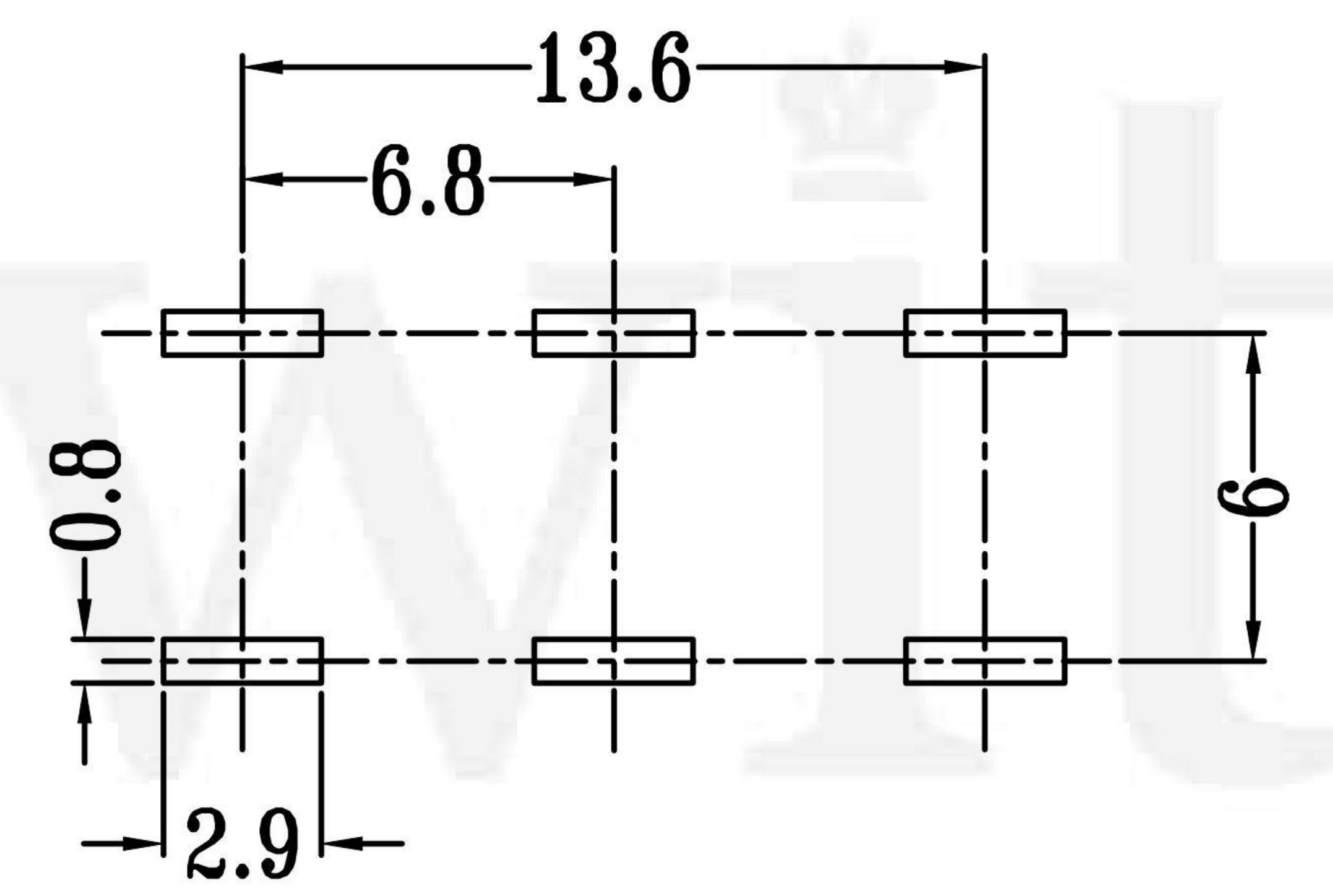
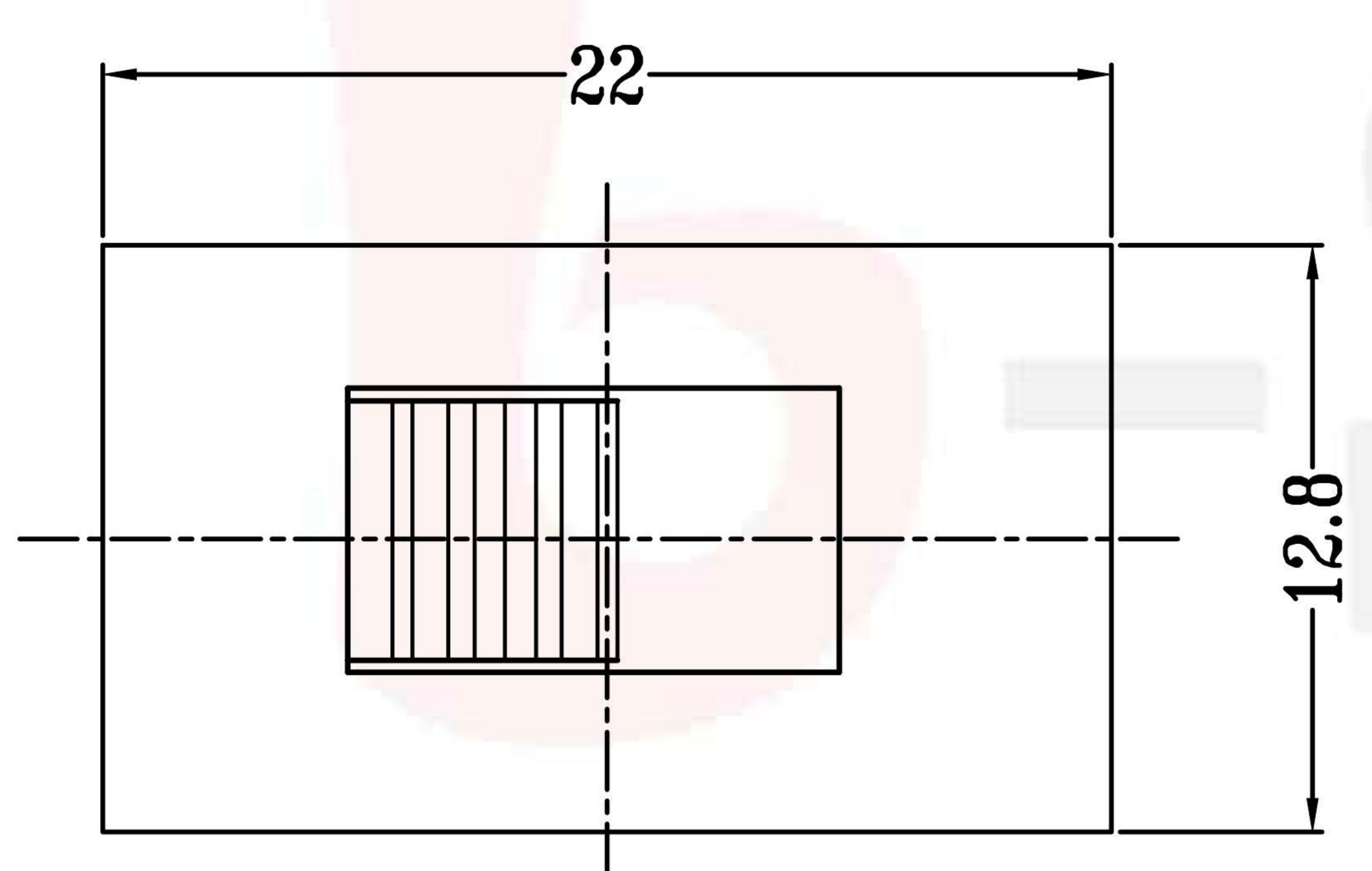


SS-22K26-GXXX

直柄
G-Switch P/N

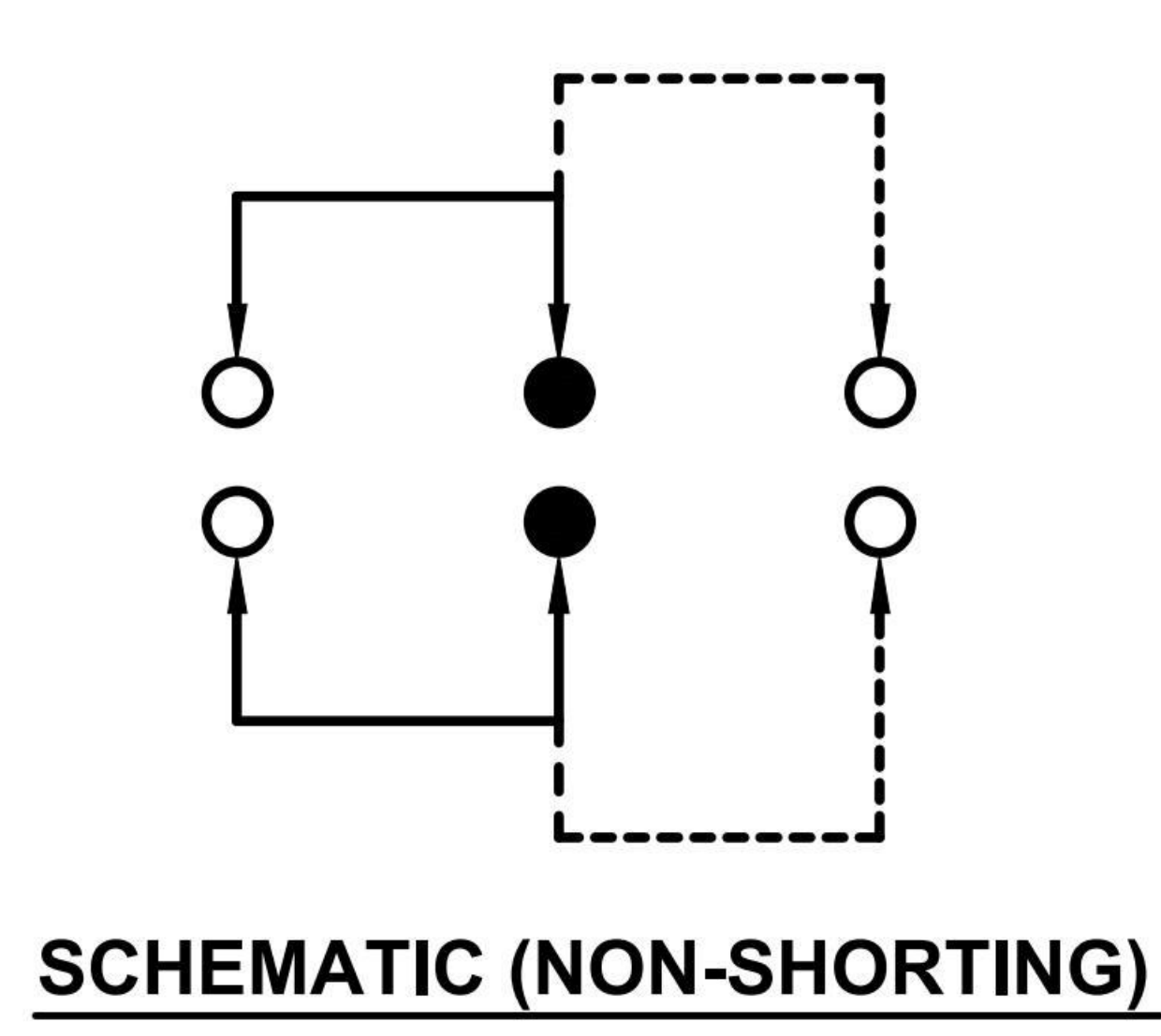
Switch Height (mm)

G020=2.0	G030=3.0
G040=4.0	G050=5.0
G055=5.5	G060=6.0
G065=6.5	G070=7.0
G075=7.5	G080=8.0
G085=8.5	G090=9.0
G095=9.5	G100=10.0



P.C.B LAYOUT
BOTTOM VIEW

G-Switch Specification:
 Electrical Specifications: 3.0A/DC24V
 Contact resistance (CR): ≤50mΩ
 Insulation Resistance(IR): ≥100MΩ DC250V
 Compressive strength (WV): AC250V 1minute
 Operating temperature: -25°C~+70°C
 Storage humidity: <85%RH
 Electrical life: 10,000Cycles.



	G-Switch Electronic (HongKong) CO.,Ltd.	
	Unless otherwise specified, Tolerance: X. ±0.30 X.x ±0.20 X.xx ±0.15 X.xxx ±0.10 Angles ±3°	DESIGN Yvette Chen CHECKED APPROVED http://www.dg-switch.com TEL:0769-82388879