

安装图 PLERING PLAN

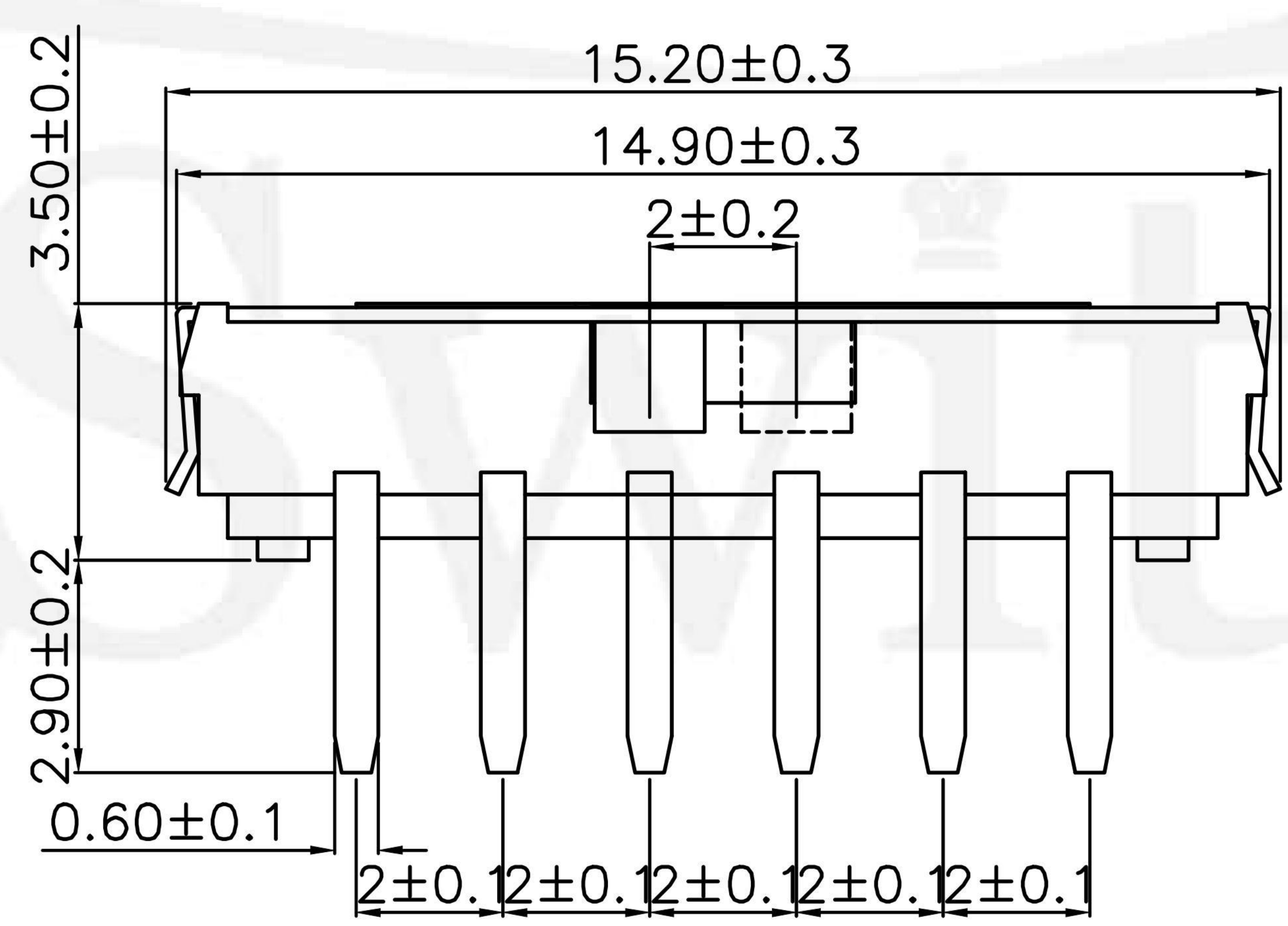
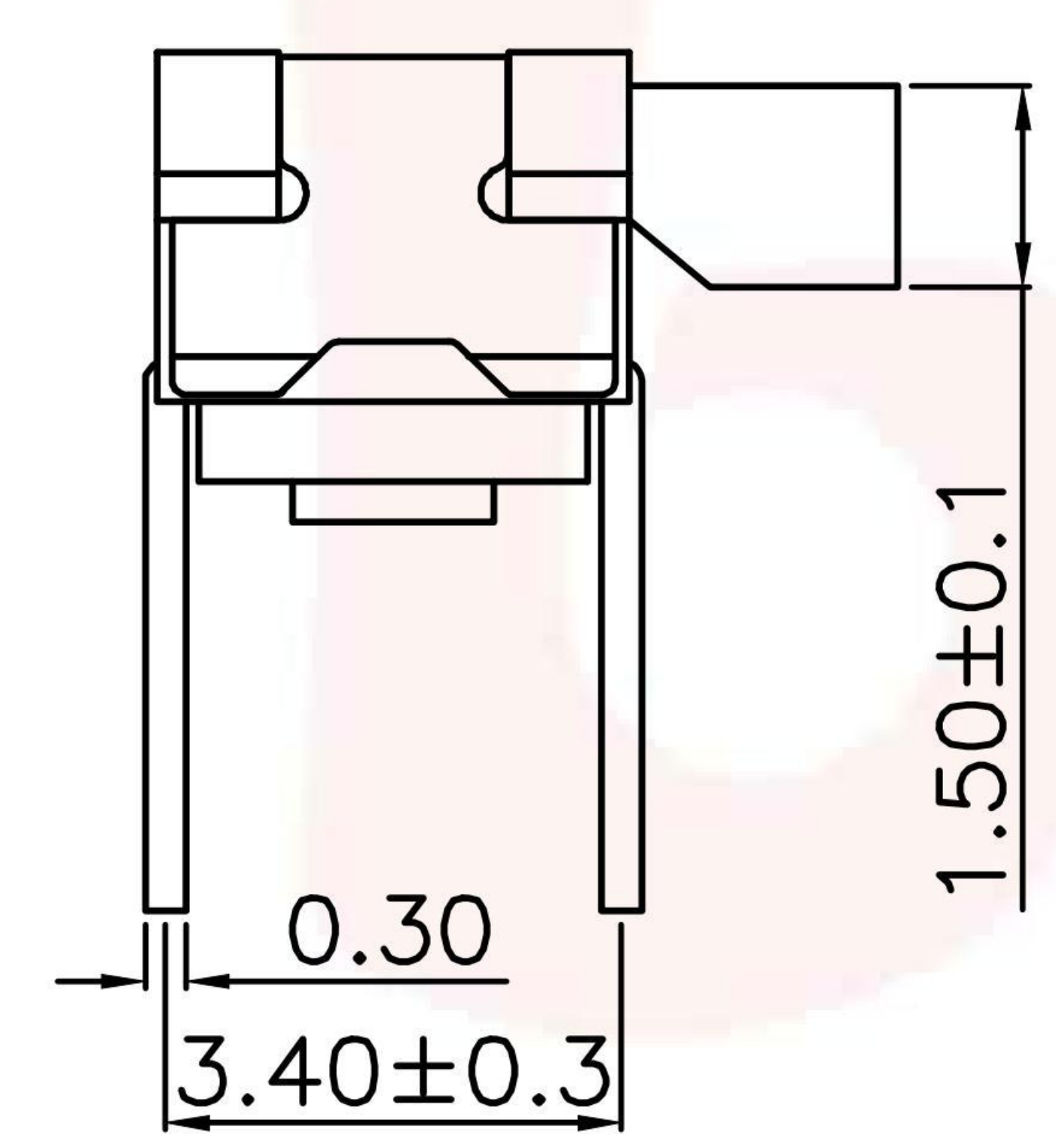


**MK-42D13-GXXX**

侧拨形式

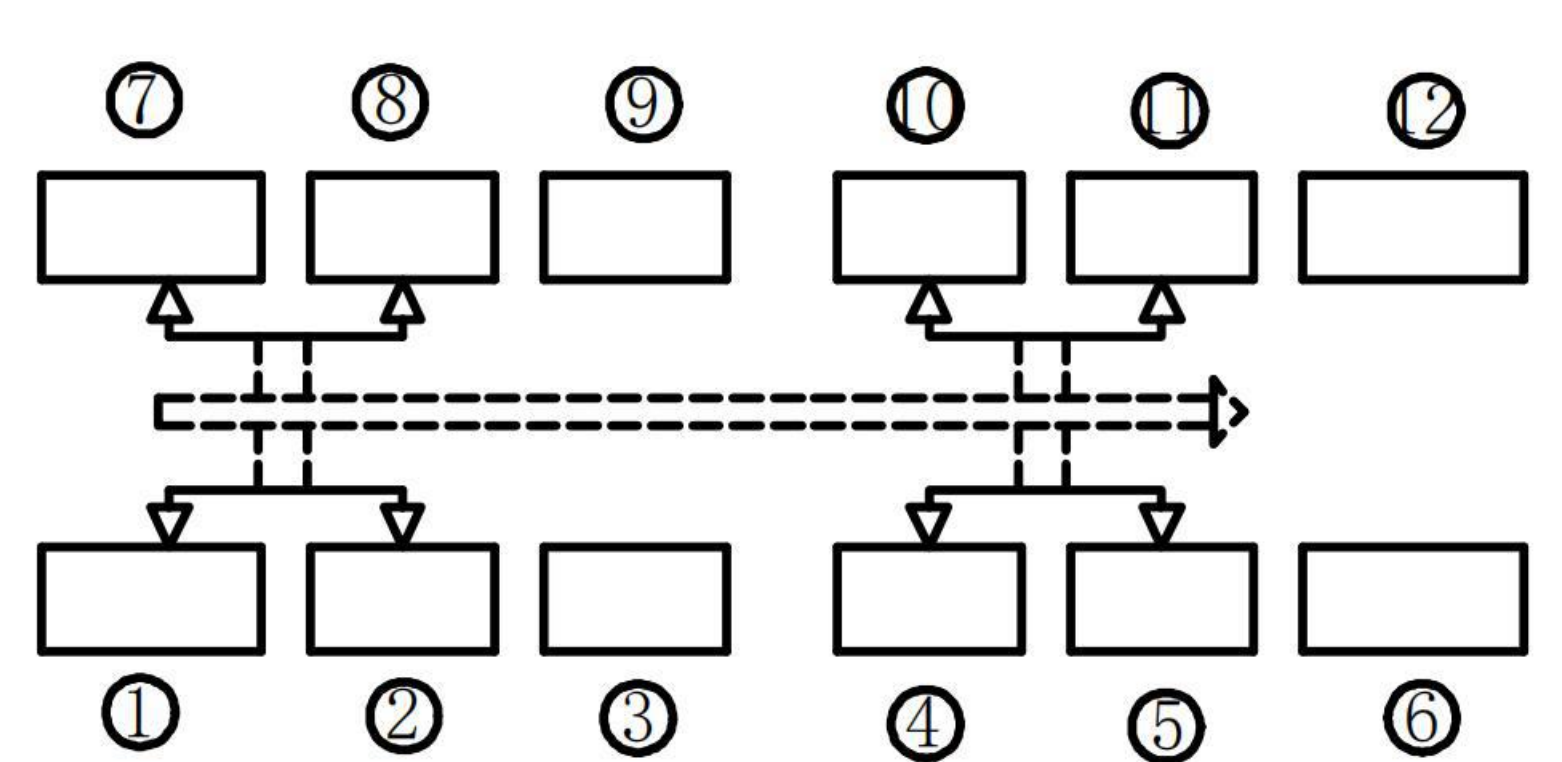
G-Switch P/N

Switch Height (mm)  
G020=2.0 G030=3.0



**G-Switch Specification:**

Electrical Specifications: DC 12V 0.5A DC 6V 1.0A  
 Contact Resistance : 100mΩMAX  
 Insulation Resistance: 100M ohm 100V DC  
 Withstand Voltage: AC 250V for 1 min  
 Ambient Temperature: -20°C~+70°C  
 Relative Humidity: (40°C)≤85%  
 Reflow soldering: 250°C MAX  
 Life: 10,000 times



CIRCUIT DIAGRAM



**b-Switch**<sup>®</sup>  
 Unless otherwise specified, Tolerance:  
 X. ±0.30  
 X.x ±0.20  
 X.xx ±0.15  
 X.xxx ±0.10  
 Angles ±3°

<b>G-Switch Electronic (HongKong) CO.,Ltd.</b>		
DESIGN Yvette Chen	DATE 2019.05.29	Molde code: <b>MK-42D13-GXXX</b>
CHECKED	DATE	
APPROVED	DATE	REV.: X1 SCALE: 4:1 UNIT: mm SIZE: A4 SHEET: 1/1
<a href="http://www.dg-switch.com">http://www.dg-switch.com</a>		
TEL:0769-82388879		