

PCB PLERING PLAN



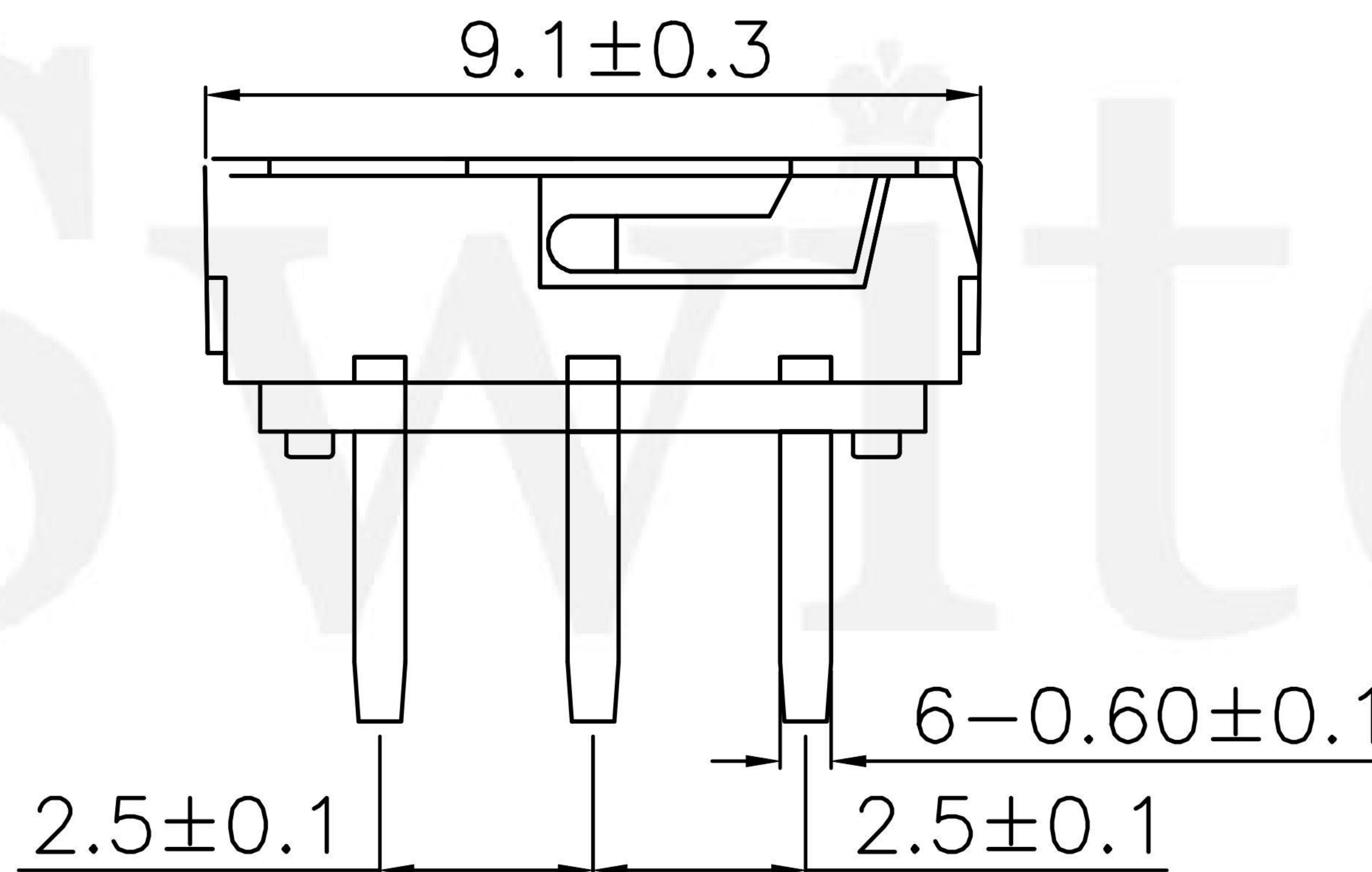
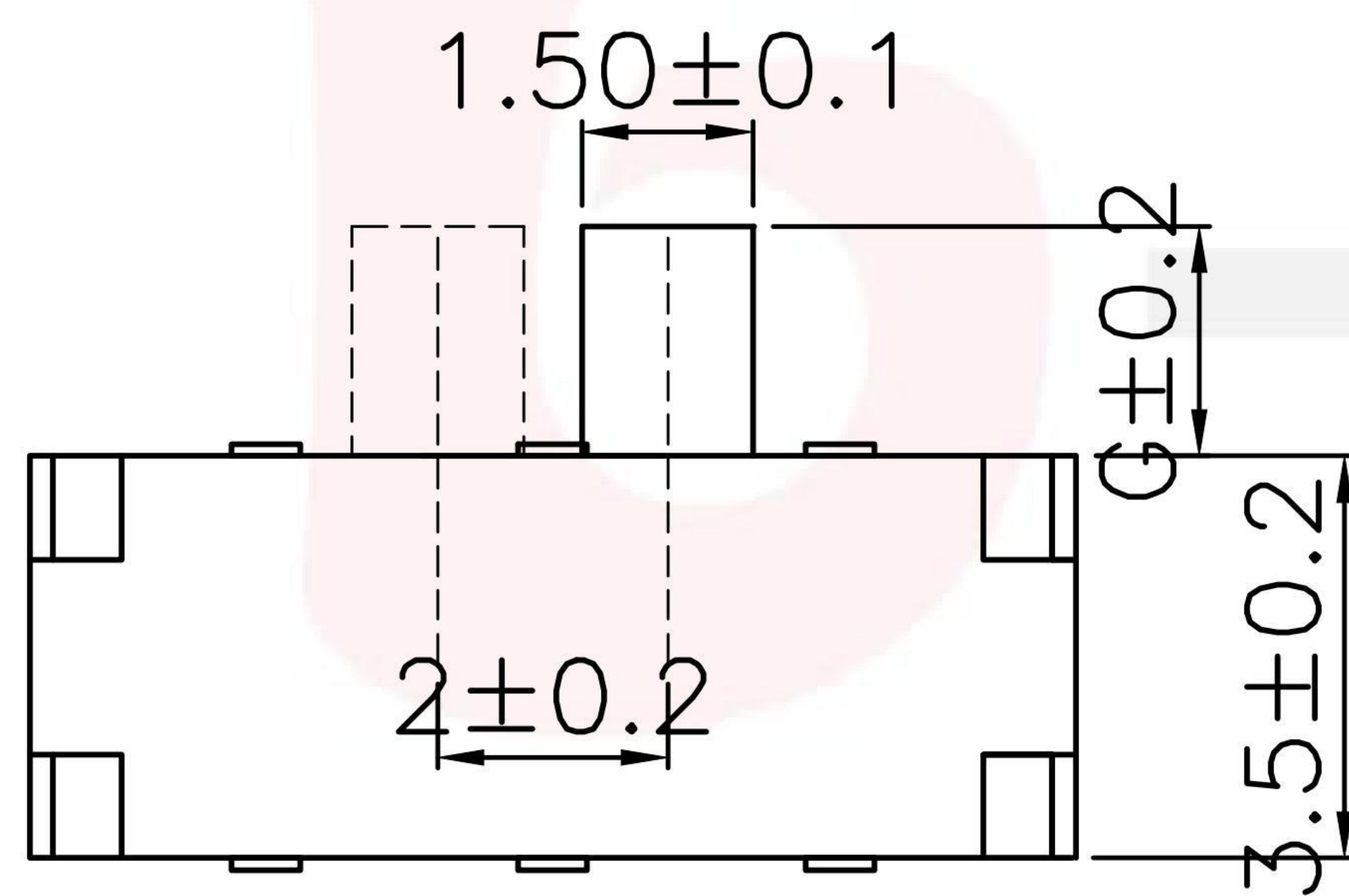
MK-12D16-GXXX

侧拨形式

G-Switch P/N

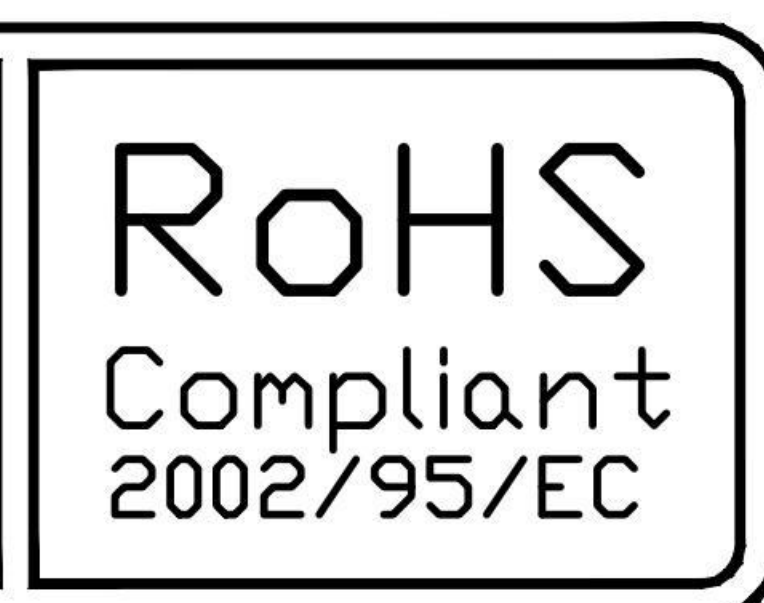
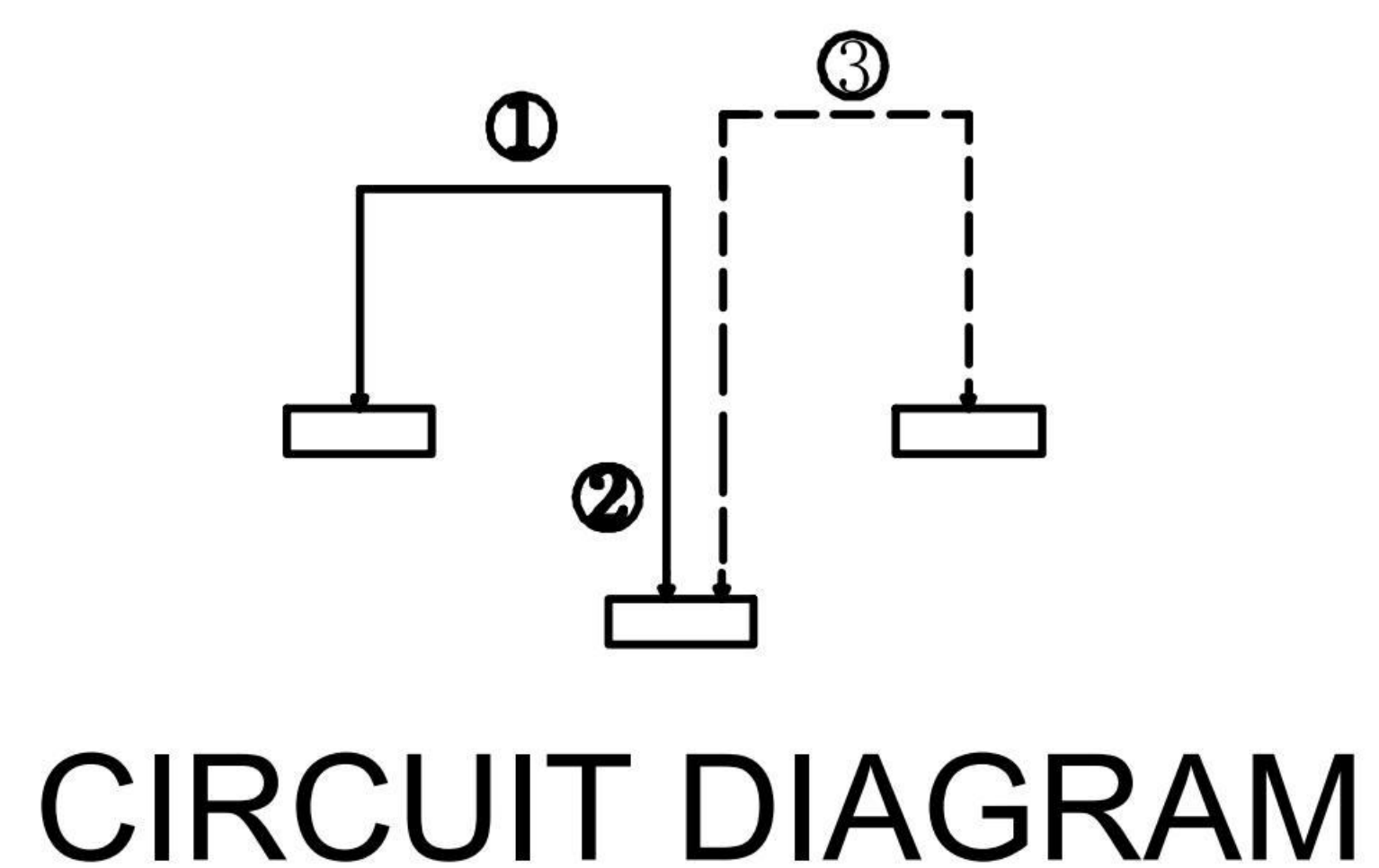
Switch Height (mm)

- G020=2.0
- G030=3.0
- G040=4.0



**G-Switch Specification:**

Electrical Specifications: DC 12V 0.5A DC 6V 1.0A  
 Contact Resistance : 100mΩMAX  
 Insulation Resistance: 100M ohm 100V DC  
 Withstand Voltage: AC 250V for 1 min  
 Ambient Temperature: -20°C~+70°C  
 Relative Humidity: (40°C)≤85%  
 Reflow soldering: 250°C MAX  
 Life: 10,000 times



**G-Switch Electronic (HongKong) CO.,Ltd.**

Unless otherwise specified, Tolerance:  
 X. ±0.30  
 X.x ±0.20  
 X.xx ±0.15  
 X.xxx ±0.10  
 Angles ±3°

DESIGN Yvette Chen DATE 2019.05.29  
 CHECKED DATE  
 APPROVED DATE  
<http://www.dg-switch.com>  
 TEL:0769-82388879

Molde code:  
**MK-12D16-GXXX**  
 REV.: X1 SCALE: 4:1 UNIT: mm  
 SIZE: A4 SHEET: 1/1