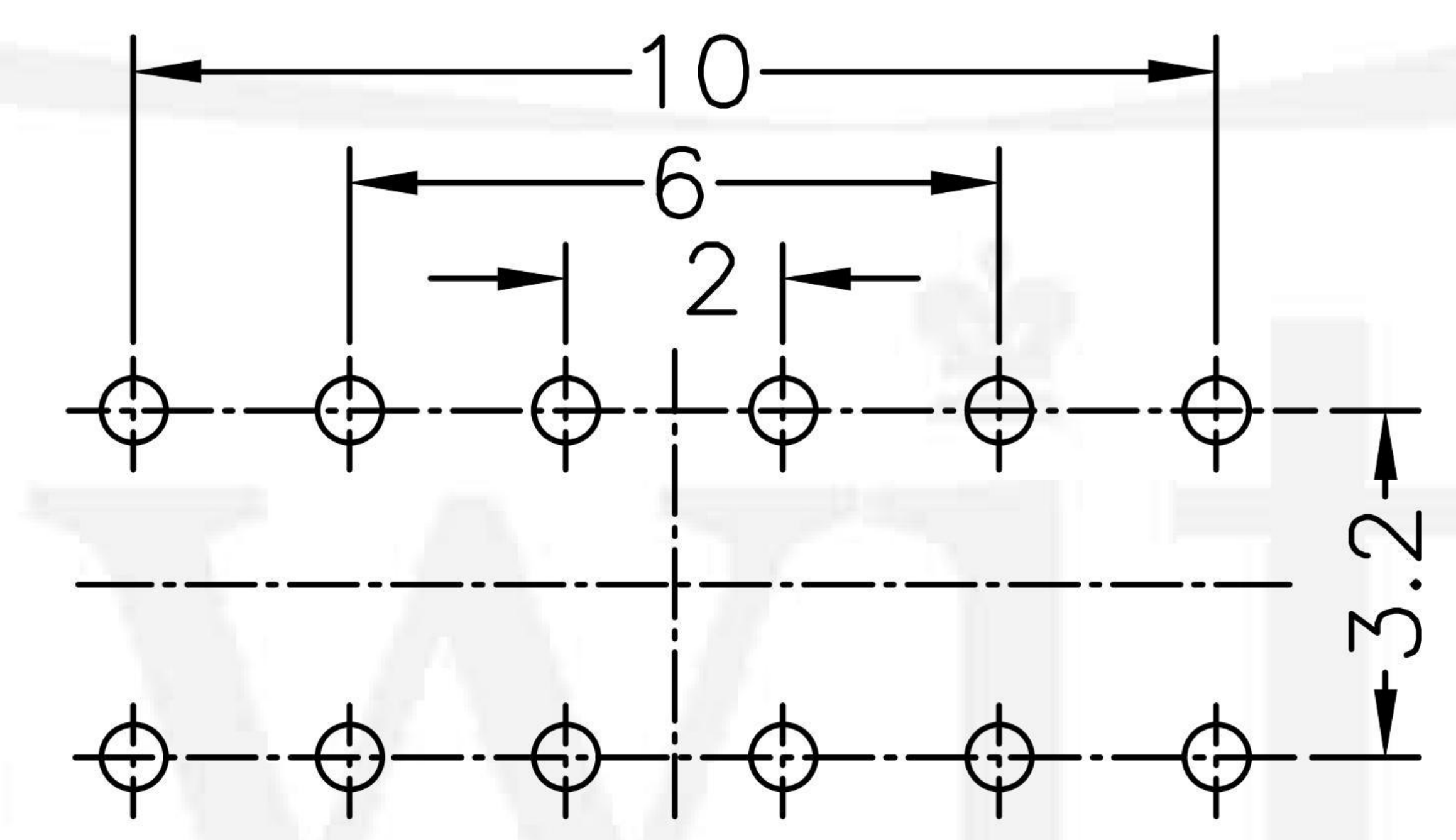
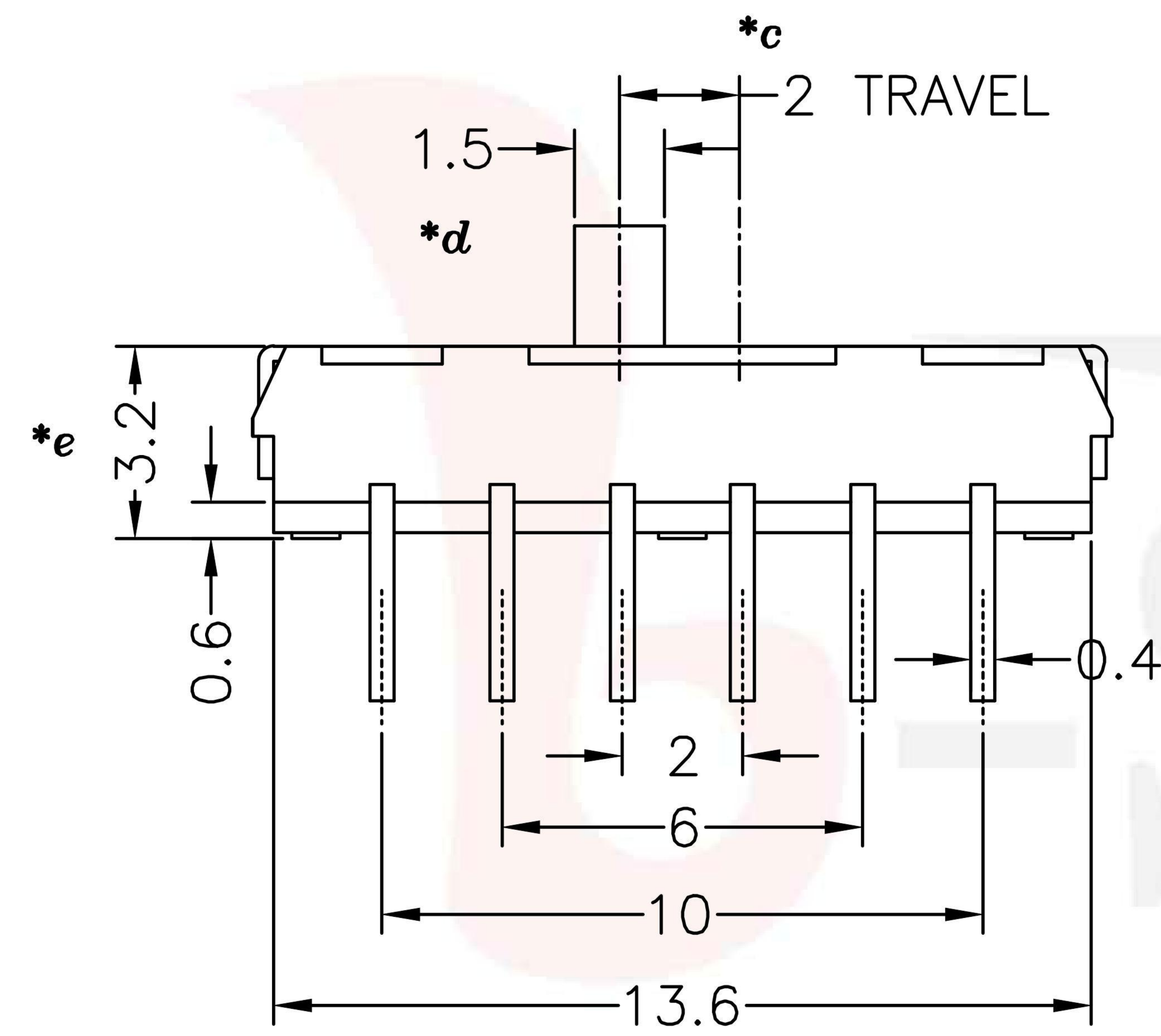


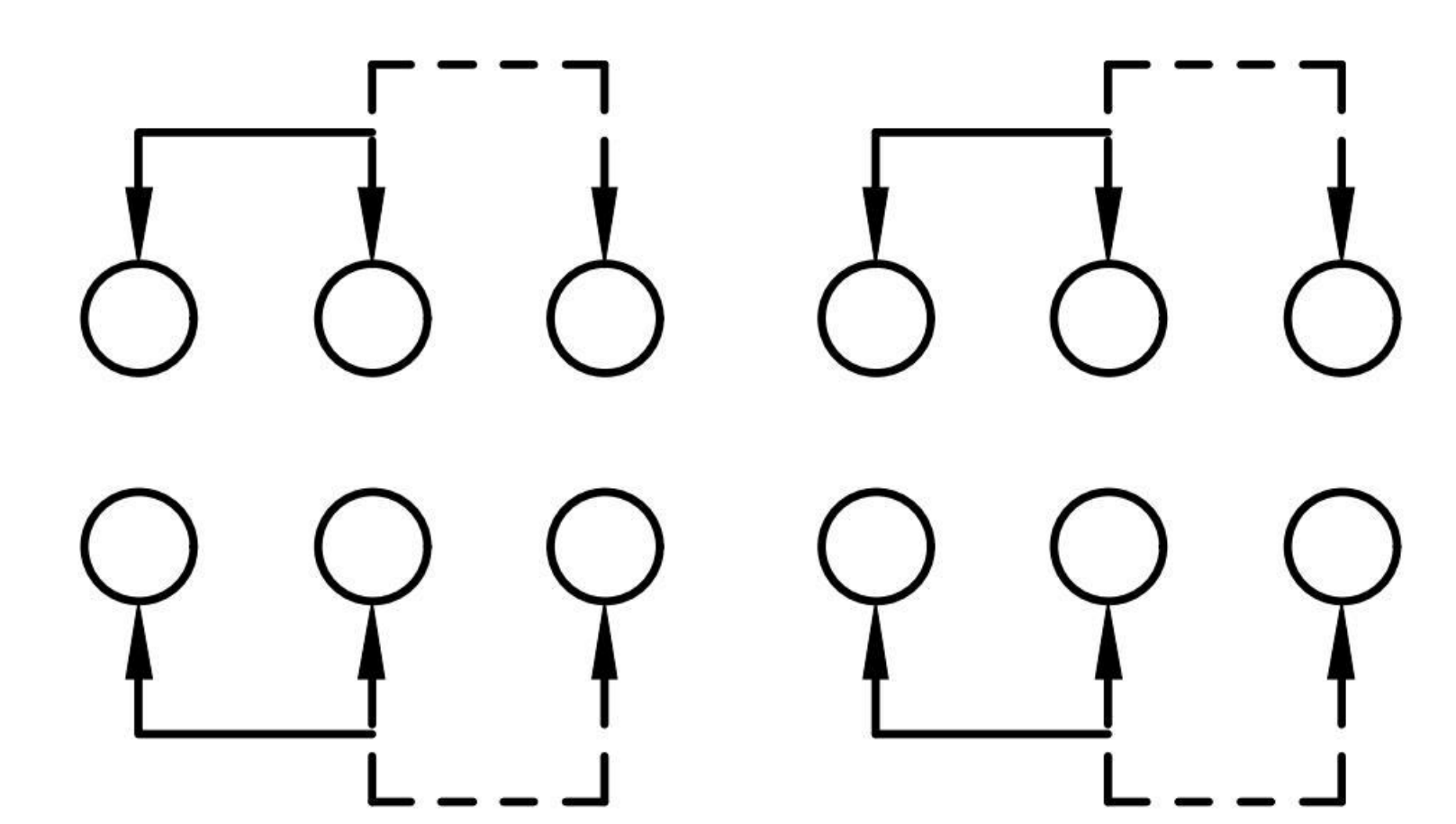
MS-42D13-GXXX

侧拨形式
G-Switch P/N
Switch Height (mm)
G020=2.0 G040=4.0

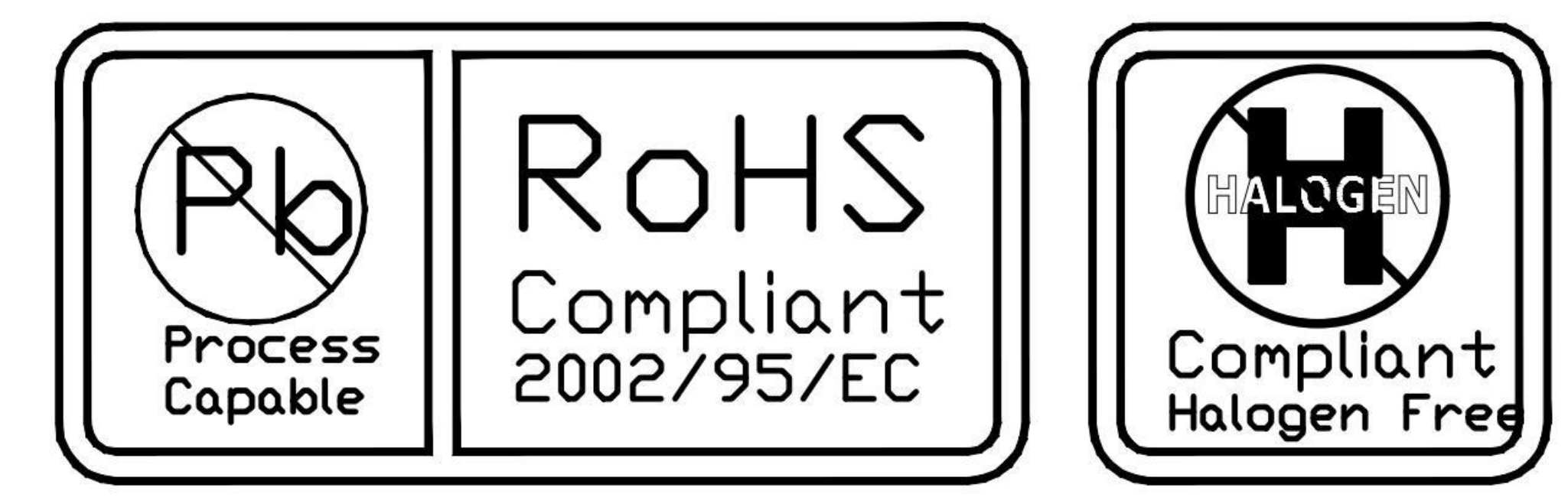


P.C.B LAYOUT

G-Switch Specification:
Electrical Specifications: DC 12V 0.5A DC 6V 1.0A
Contact Resistance : 100mΩMAX
Insulation Resistance: 100M ohm 100V DC
Withstand Voltage: AC 250V for 1 min
Ambient Temperature: -20°C~+70°C
Relative Humidity: (40°C)≤85%
Reflow soldering: 250°C MAX
Life: 10,000 times



SCHEMATIC



G-Switch Electronic (HongKong) CO.,Ltd.

Unless otherwise specified, Tolerance: X. ±0.30 X.x ±0.20 X.xx ±0.15 X.xxx ±0.10 Angles ±3°	DESIGN Yvette Chen	DATE 2019.05.29	Molde code:		
	CHECKED	DATE	MS-42D13-GXXX		
	APPROVED	DATE	REV.: X1	SCALE: 4:1	UNIT: mm
	http://www.dg-switch.com		SIZE: A4	SHEET: 1/1	
TEL:0769-82388879					