

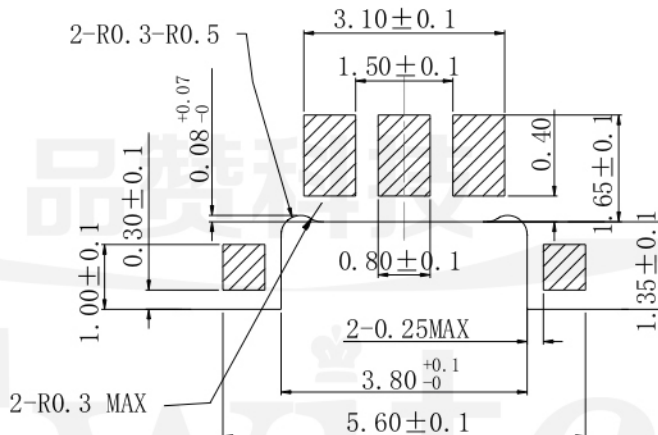
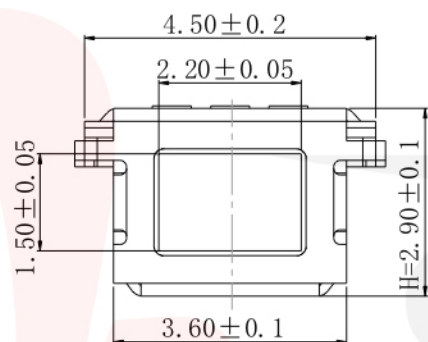
### GT-TC037X-HXXX-LX

G-SWITCH

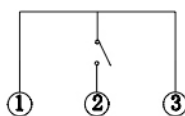
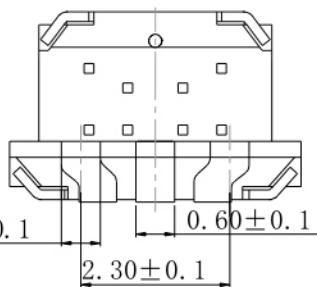
**Operating Force**  
A=160gf  
B=250gf

**Switch Height (mm)**  
H029=2.9mm

**Switch lifetime (Force)**  
L1=100,000 Cycles



### P. C. B LAYOUT TOP VIEW



### CIRCUIT

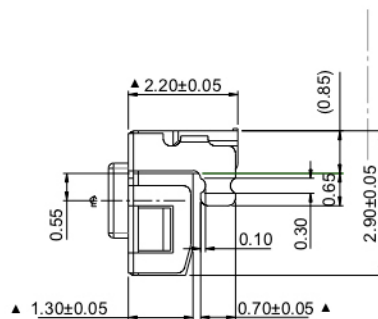
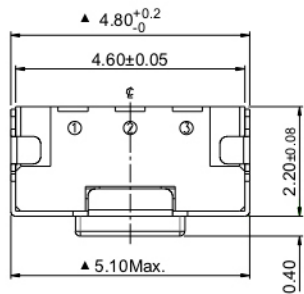
#### G-Switch Specification:

Operating temperature range : -30°Cto+85°C  
 Rating : 50mA.12V DC  
 Insulation resistance: : 100MΩ min.100V DC  
 Dielectric strength : 250V AC for 1 min  
 Contact resistance: : 100m Ω max.  
 Travel:0.20±0.1mm



### G-Switch Electronic (HongKong) CO.,Ltd.

Unless otherwise specified, Tolerance: X. ±0.30 X.x ±0.20 X.xx ±0.15 X.xxx ±0.10 Angles ±3°	DESIGN FengFengChen	DATE 2019.05.29	Molde code:	
	CHECKED	DATE	GT-TC037X-HXXX-LX	
	APPROVED	DATE	REV.: X1	SCALE: 4:1
	http://www.dg-switch.com		UNIT: mm	
TEL:0769-82388879	SIZE: A4	SHEET: 1/1		



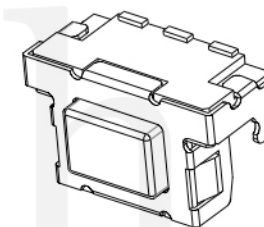
## GT-TA037X-HXXX-LX

G-SWITCH

Operating Force  
A=160gf  
B=250gf

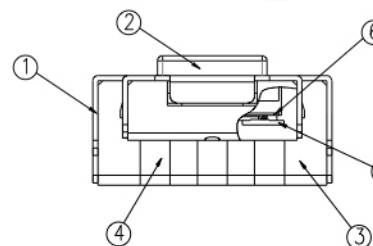
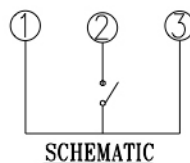
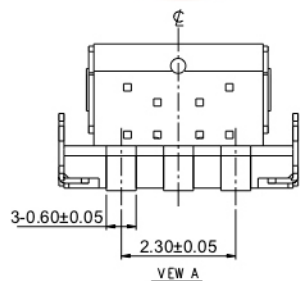
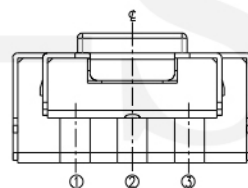
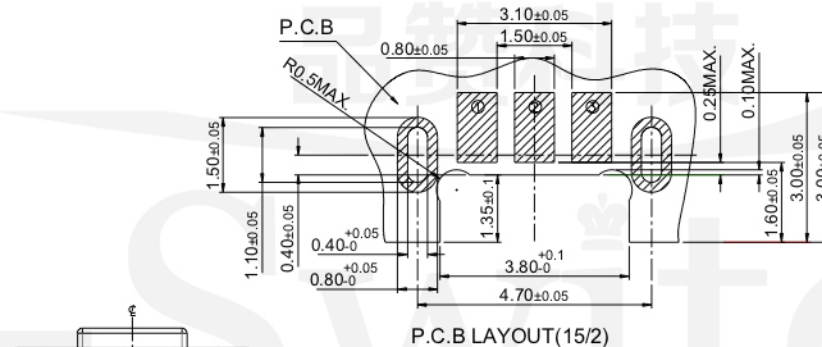
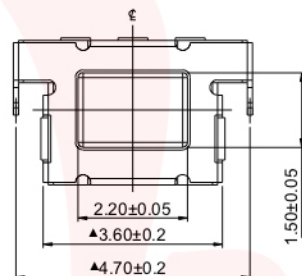
Switch Height (mm)  
H029=2.9mm

Switch lifetime (Force)  
L1=100,000 Cycles



### G-Switch Specification:

Operating temperature range : -30°Cto+85°C  
Rating : 50mA.12V DC  
Insulation resistance: : 100MΩ min.100V DC  
Dielectric strength : 250V AC for 1 min  
Contact resistance: : 100m Ω max.  
Travel:0.20±0.1mm



**G-Switch Electronic (HongKong) CO.,Ltd.**

Unless otherwise specified, Tolerance:  
X. ±0.30  
X.x ±0.20  
X.xx ±0.15  
X.xxx ±0.10  
Angles ±3°

DESIGN FengFengChen DATE 2020.10.29  
CHECKED DATE  
APPROVED DATE  
<http://www.dg-switch.com>  
TEL:0769-82388879

Molde code:  
GT-TA037X-HXXX-LX  
REV.: X1 SCALE: 4:1 UNIT: mm  
SIZE: A4 SHEET: 1/1