

GT-TA128X-HXXXXX-LX

G-SWITCH

Operating Force

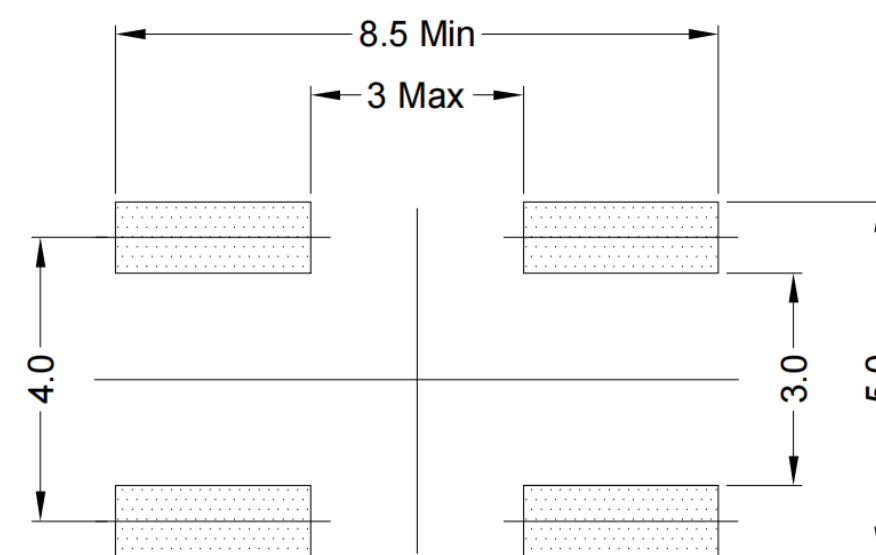
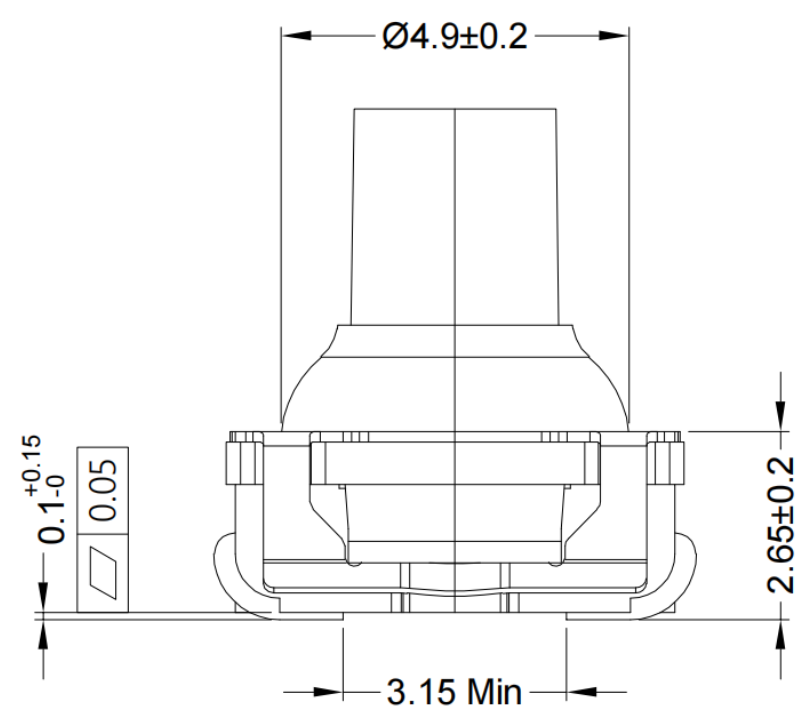
A=180gf
B=250gf
S=160gf

Switch Height (mm)

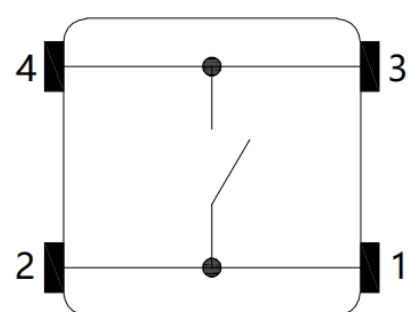
H072BB=7.2mm(黑柄蓝垫 160/250gf)
H072RB=7.2mm(红柄蓝垫 180gf)
H077RO=7.7mm(红柄橙垫 180gf)
H077BB=7.7mm(黑柄蓝垫 250gf)
H077B0=7.7mm(黑柄橙垫 250gf)

Switch lifetime (Force)

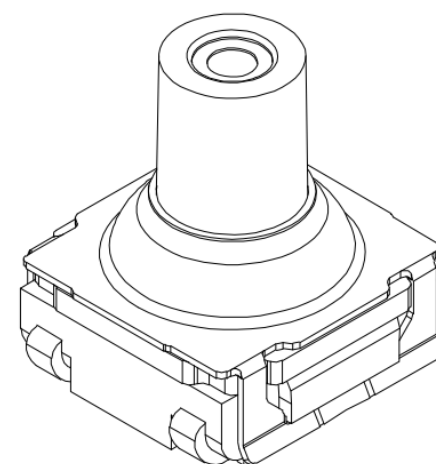
L3=300,000 Cycles(A、B)
L5=500,000 Cycles(A)



**P.C.B LAND DIMENSION
TOP VIEW**

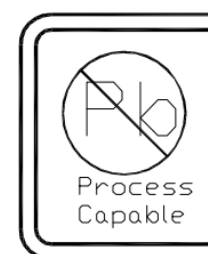


CIRCUIT DIAGRAM



G-Switch Specification:

Operating temperature range: -40°C to +85°C
Rating: 50mA, 12V DC
Insulation resistance: 100MΩ min, 100V DC
Dielectric strength: 250V AC for 1 min
Contact resistance: 100m Ω max.
Travel: 0.40±0.2mm
Water Resistance: IP67



G-Switch Electronic (HongKong) CO.,Ltd.

Unless otherwise specified, Tolerance:
X. ±0.30
X.x ±0.20
X.xx ±0.15
X.xxx ±0.10
Angles ±3°

DESIGN FengFengChen DATE 2019.05.29
CHECKED DATE
APPROVED DATE
<http://www.dg-switch.com>
TEL:0769-82388879

Molde code:
GT-TA128X-HXXXXX-LX
REV.: X1 SCALE: 4:1 UNIT: mm
SIZE: A4 SHEET: 1/1