

GT-TC127X-HXXX-LX

G-SWITCH

Operating Force

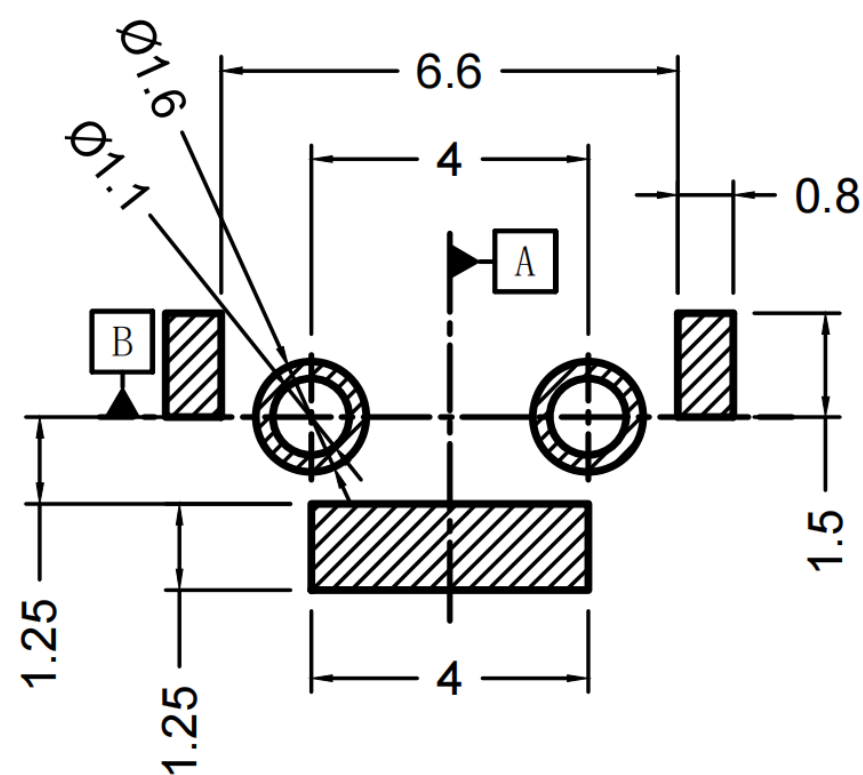
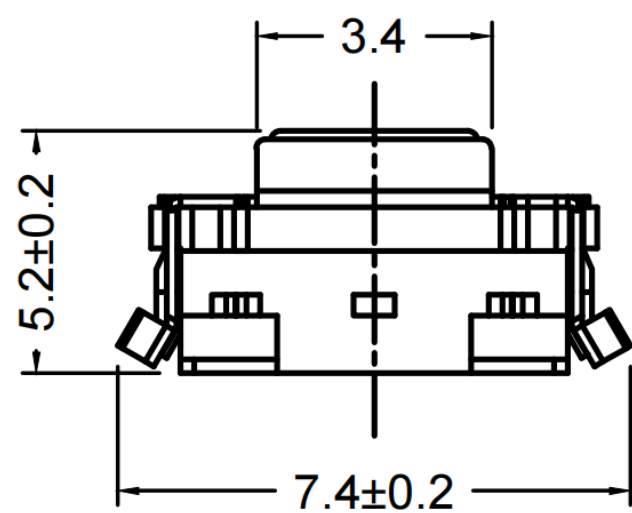
A=180gf
B=250gf
D=320gf

Switch Height (mm)

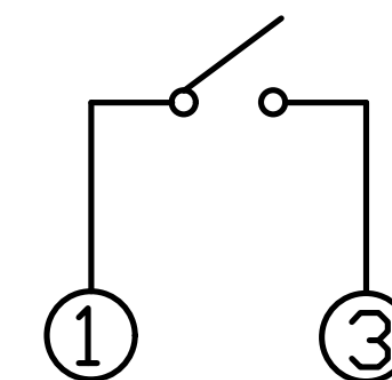
H035=3.5mm
H052=5.2mm

Switch lifetime (Force)

L5=500,000 Cycles
L10=1,000,000 Cycles
L30=3,000,000 Cycles



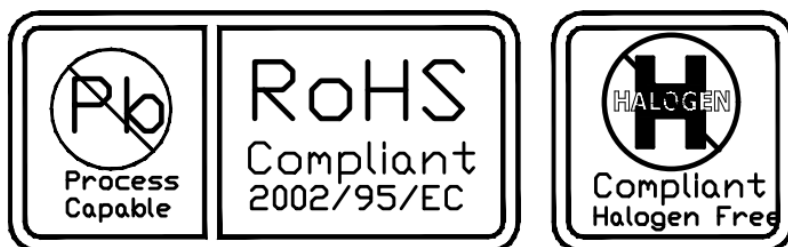
P.C.B LAND DIMENSION



CIRCUIT DIAGRAM

G-Switch Specification:

Operating temperature range: -40°C to +85°C
 Rating: 50mA, 12V DC
 Insulation resistance: 100MΩ min. 100V DC
 Dielectric strength: 250V AC for 1 min
 Contact resistance: 100mΩ max.
 Travel: 0.5±0.2mm



5	TERMINAL(端子)	2	H65	Ag plating
4	HOUSING(基座)	1	PA6T	
3	CONTACT FORM(弹片)	1	SUS	Ag plating
2	STEM(按钮)	1	RUBBER	
1	COVER(盖板)	1	SUS	
NO(序号)	PART NAME(部件名)	QTY(数量)	MATERIAL(材料)	REMARK(备注)



G-Switch Electronic (HongKong) CO.,Ltd.

DESIGN FengFengChen	DATE 2019.05.29	Molde code:	
CHECKED	DATE	GT-TC127X-HXXX-LX	
APPROVED	DATE	REV.: X1	SCALE: 4:1
http://www.dg-switch.com		UNIT: mm	
TEL:0769-82388879		SIZE: A4	SHEET: 1/1