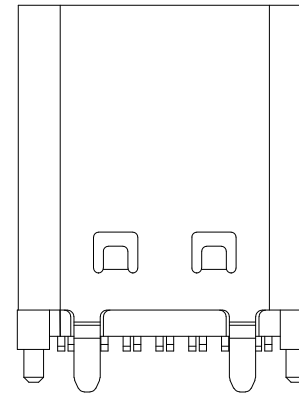
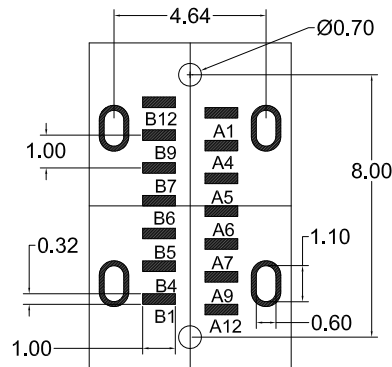
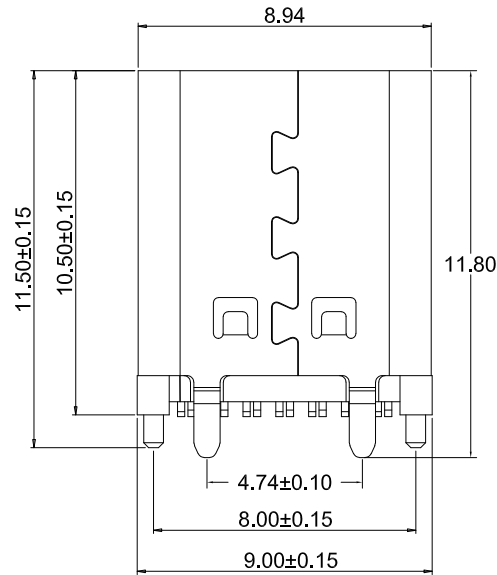


截面 1-1

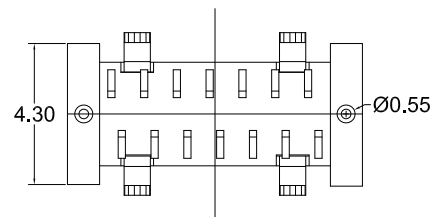


G-Switch USB-C Specification:

1. Current Rating: 5.0A
2. Voltage: 100V AC
3. Temperature Range: -55 °C ~ 85 °C
4. Contact Resistance: 40 Megohms Max
5. Insulation Resistance: 100 Megohms Min
6. Insertion Force : 5N~20N
7. Unmating Force: 8N~20N
8. Durability: 10,000 Cycles



RECOMMENDED P.C.B. LAYOUT (T:1.00mm)
TOLERANCE UNSPECIFIED ±0.05mm



A1	A2	A3	A4	A5	A6	A7	A8	A9	A10	A11	A12
GND			VBUS	CC1	D+	D-		VBUS			GND
GND			VBUS		D-	D+	CC2	VBUS			GND
B12	B11	B10	B9	B8	B7	B6	B5	B4	B3	B2	B1
1	外壳材质		不锈钢								
2	外壳电镀		镀镍 镀雾锡								
3	端子材质		黄铜 磷铜								
4	端子电镀		0: 0.5u" 1:1u" 3:3u"								
5	塑胶材质		LCP								
6	塑胶颜色		白色 黑色 蓝色								
7	包装方式		载带								
NO	外壳		材料								

G-Switch Electronic (HongKong) CO.,Ltd.

Unless otherwise specified, Tolerance: X. ±0.30 X.x ±0.20 X.xx ±0.15 X.xxx ±0.10 Angles ±3°	DESIGN Yu Chen	DATE 2022.08.12	Molde code:		
	CHECKED	DATE	GT-USB-7090C		
	APPROVED	DATE			
	http://www.dg-switch.com		REV.: X1	SCALE: 4:1	UNIT: mm
TEL:0769-82388879		SIZE: A4	SHEET: 1/1		

