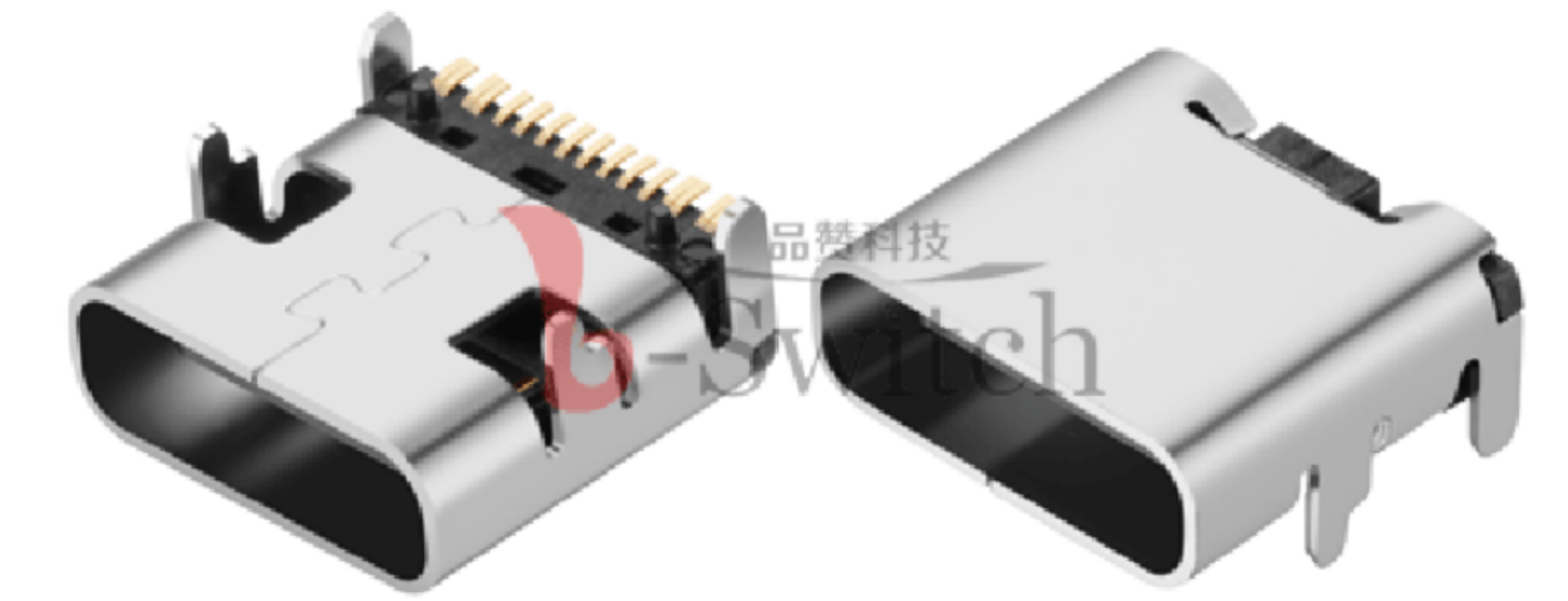
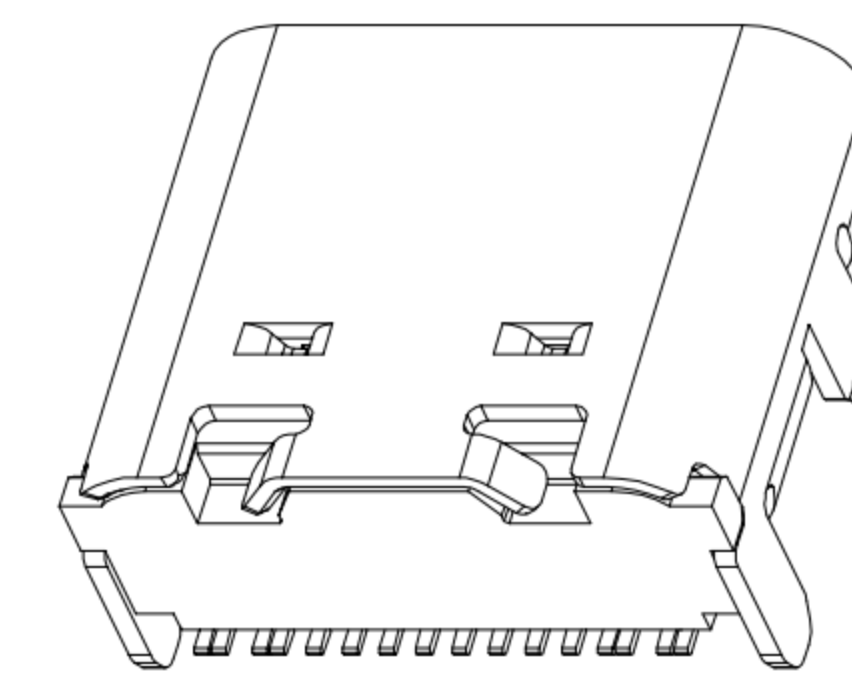
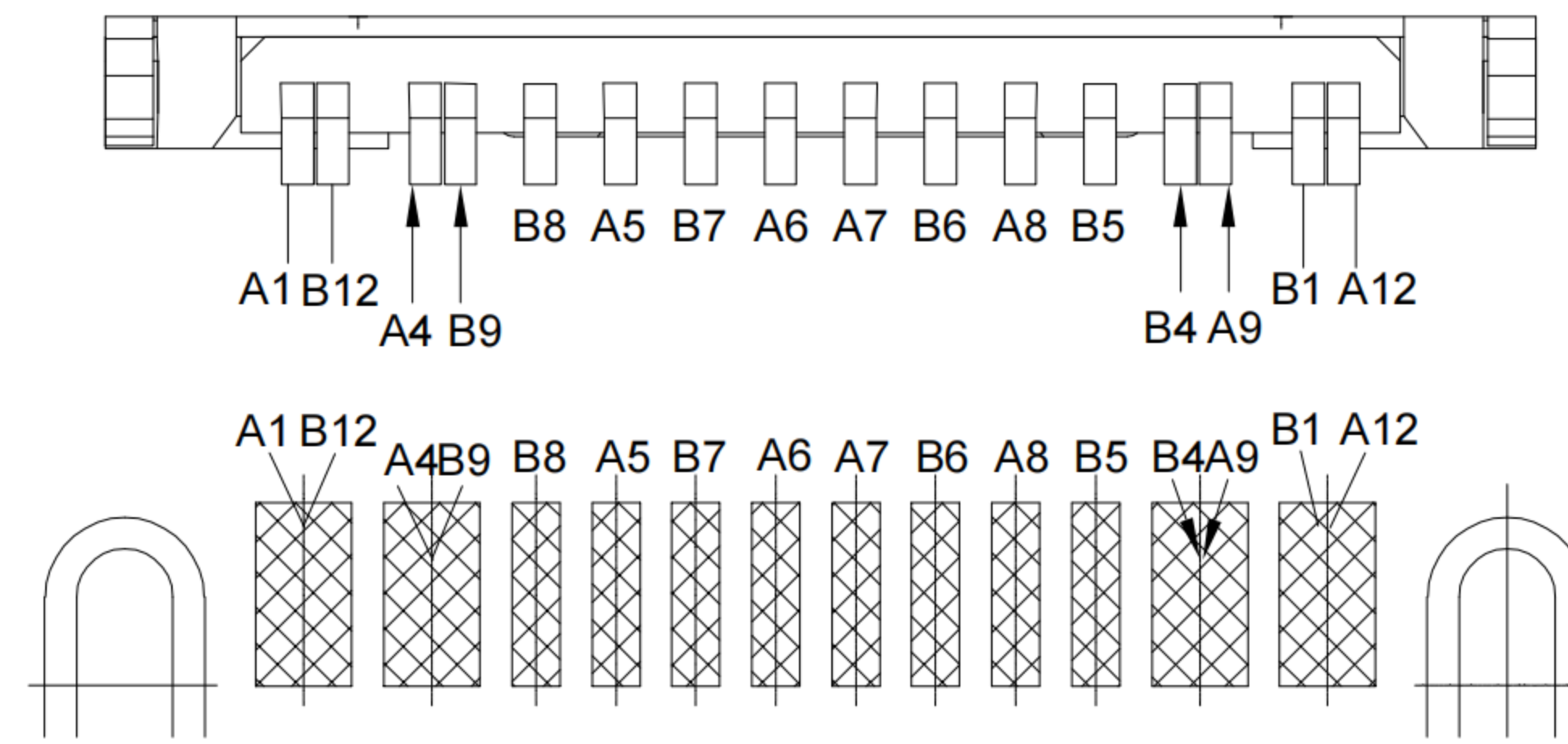
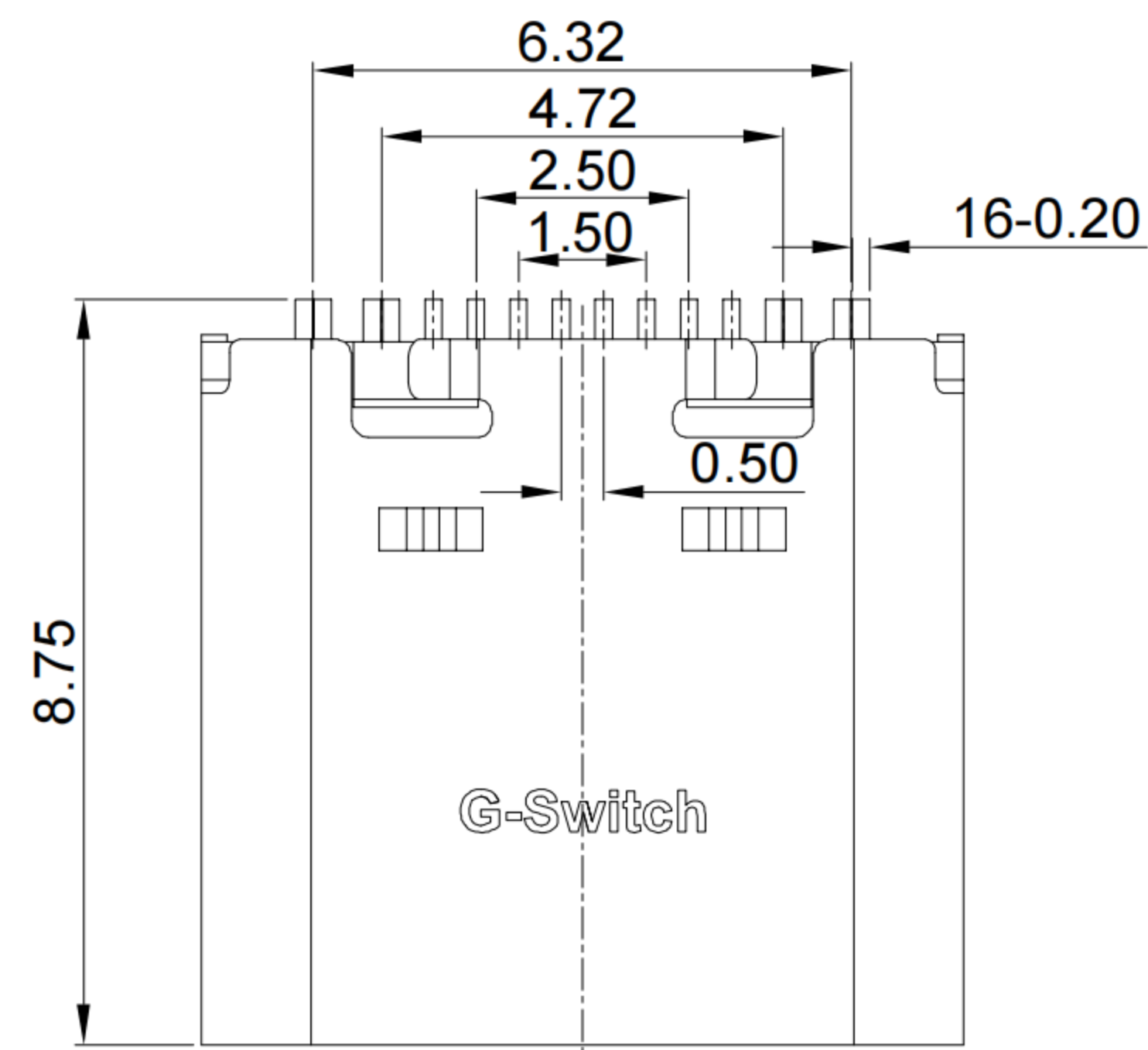
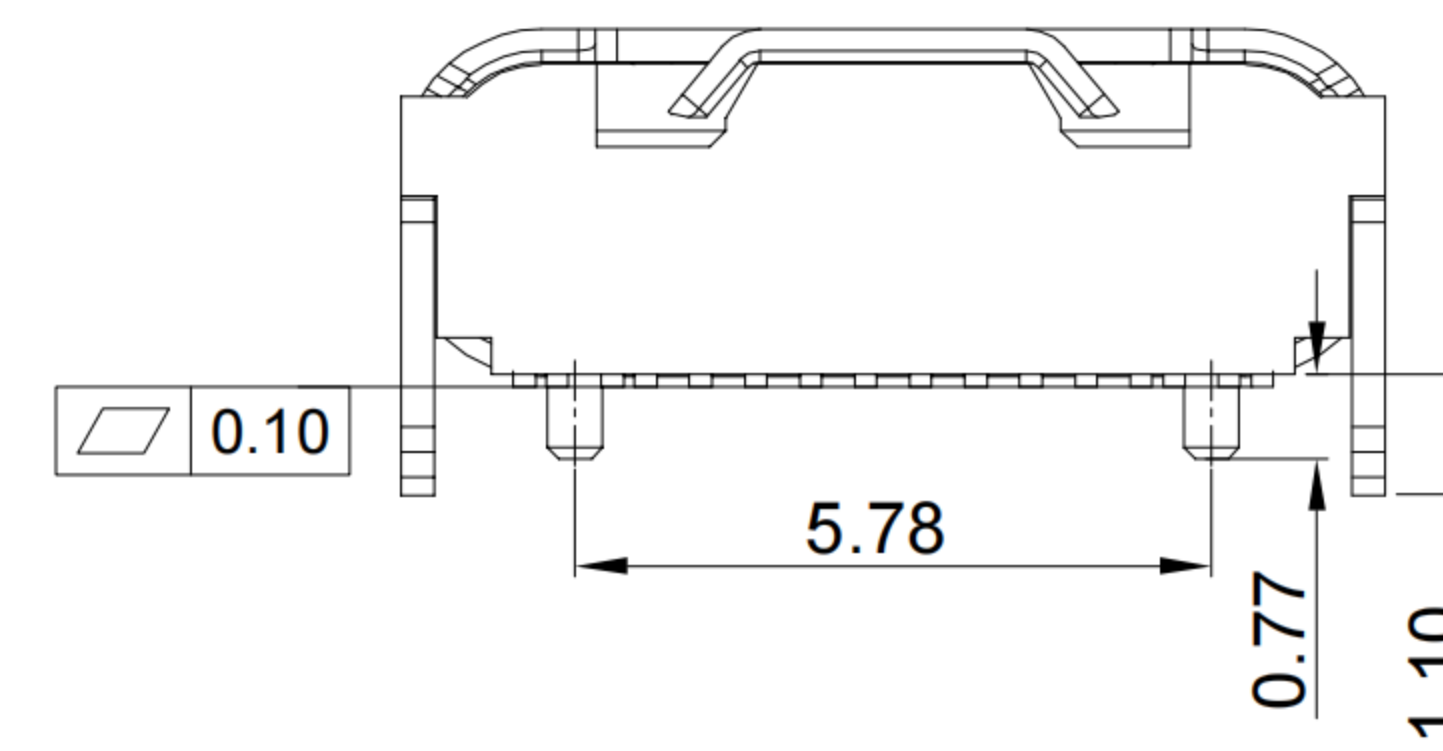
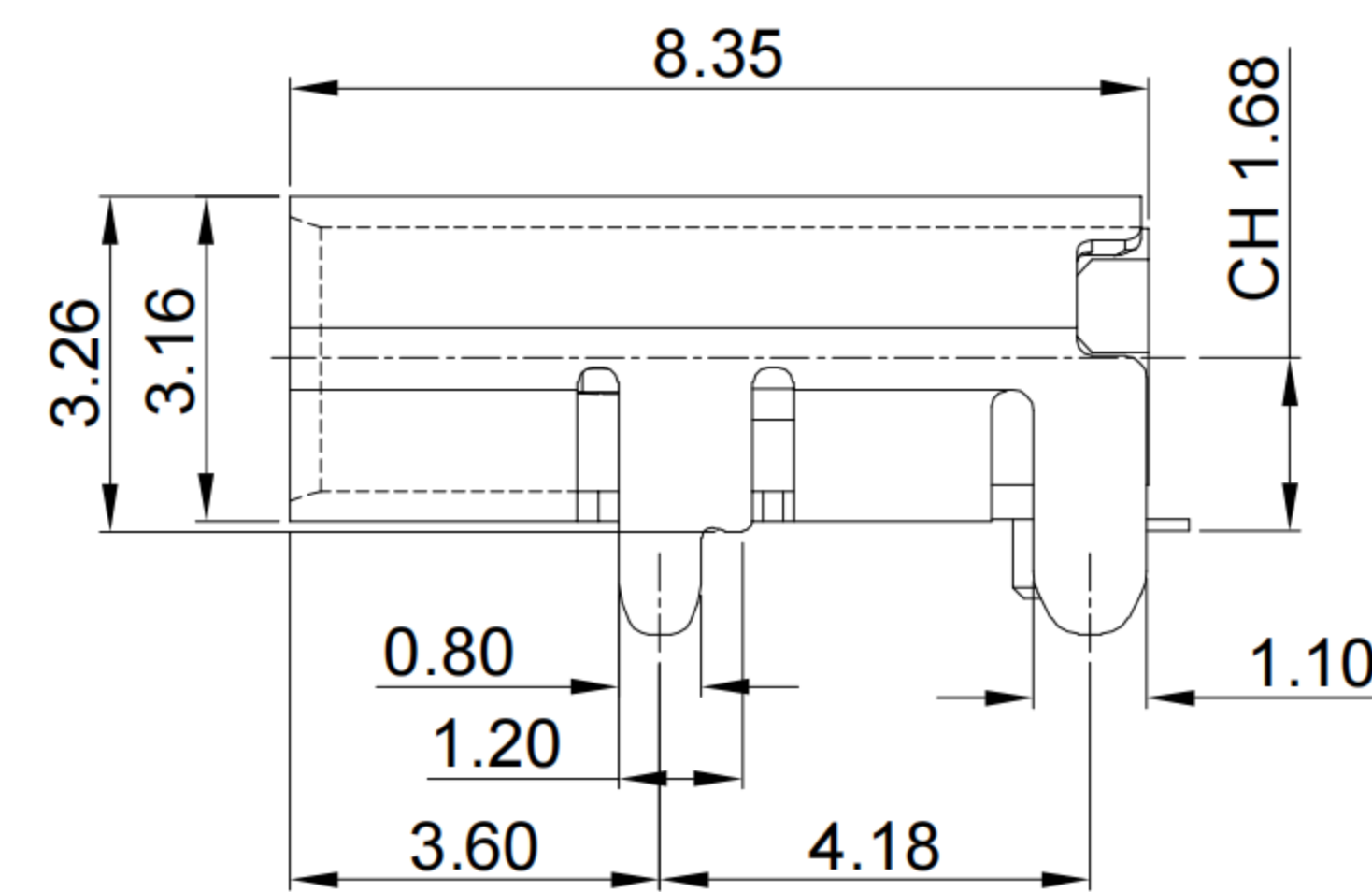
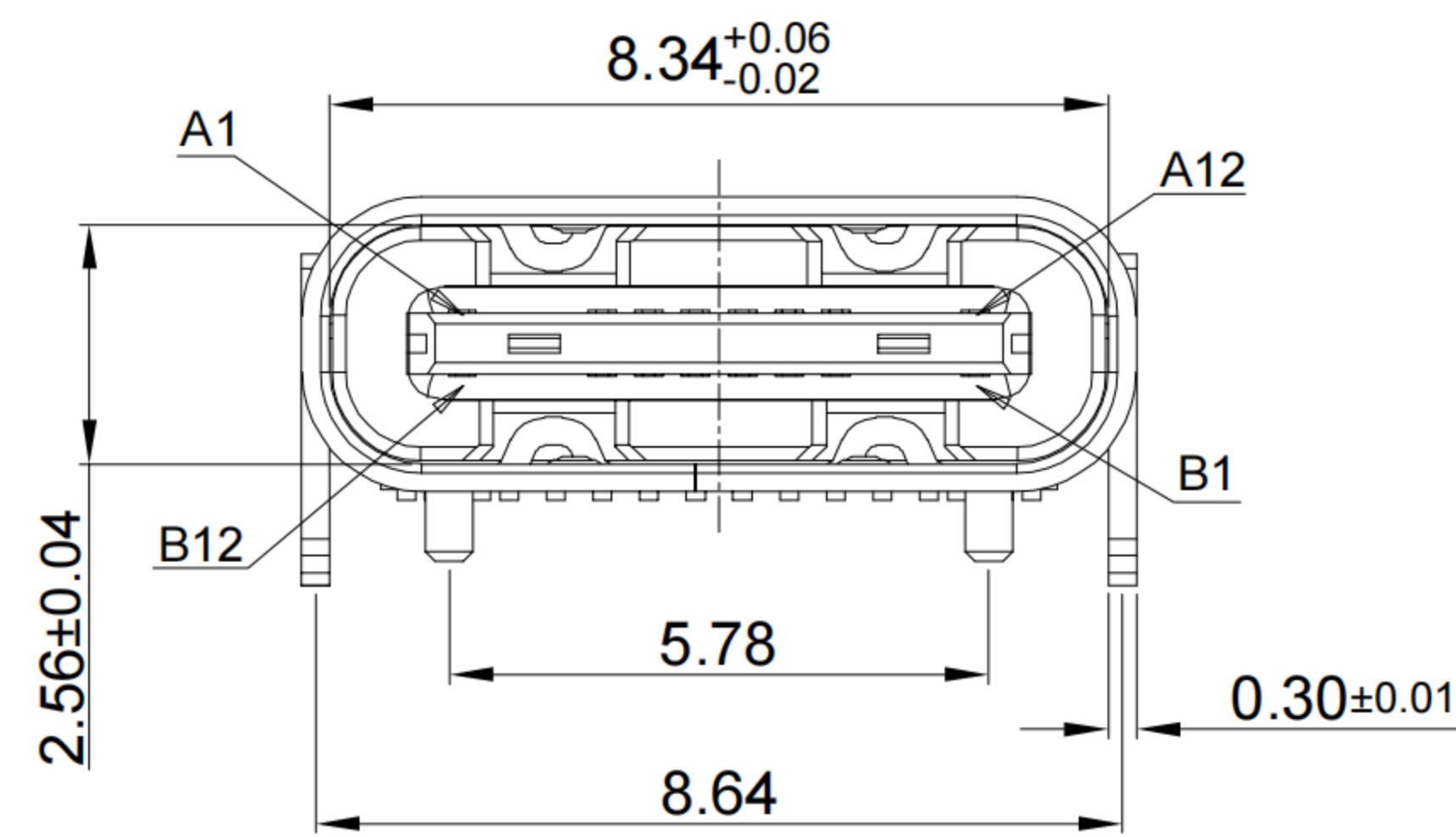


1



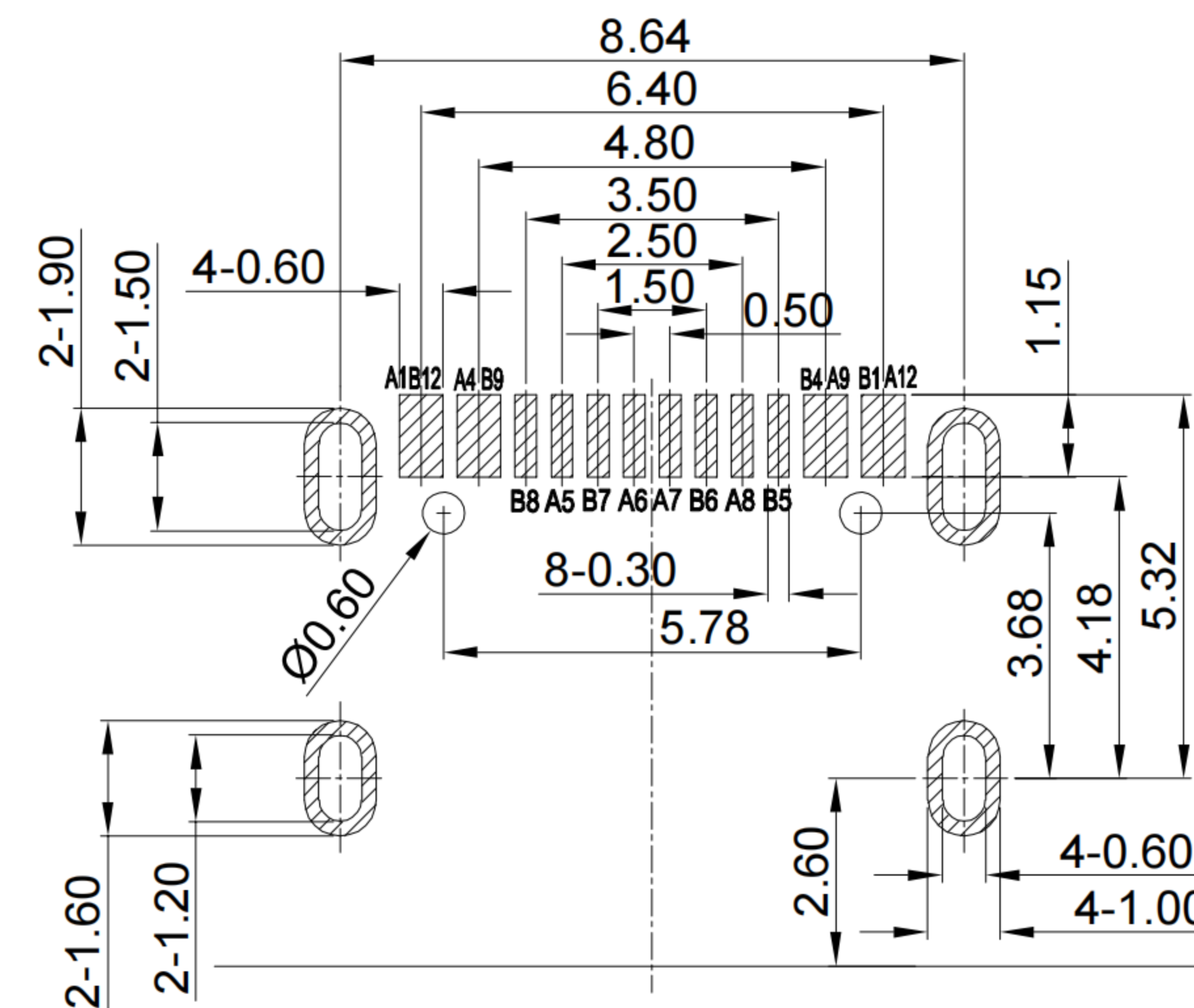
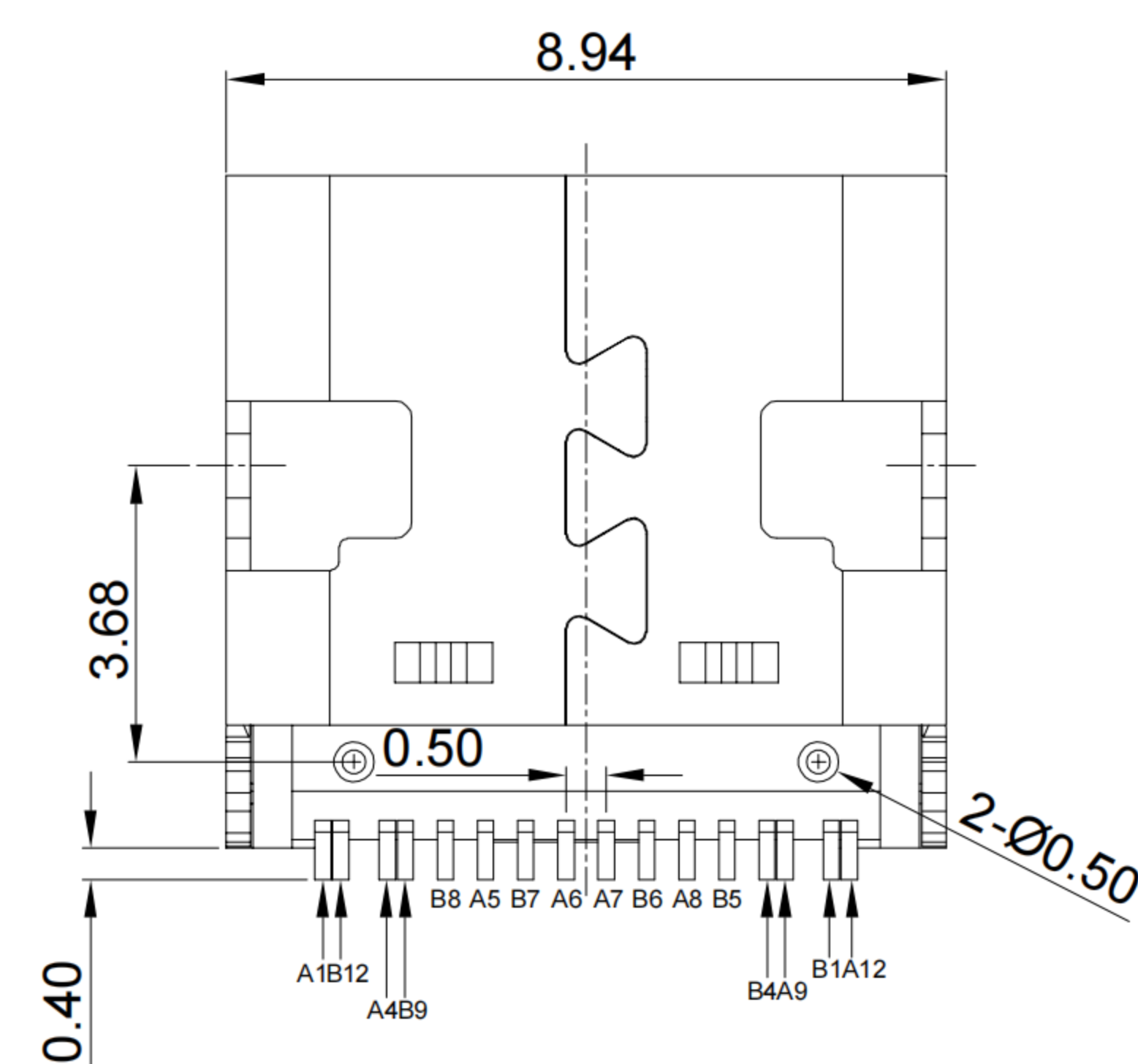
2



### G-Switch USB-C Specification:

1. Current rated: 5A on vbus/1.25A on vconn/0.25A on other  
Voltage rating: 24V AC
2. Withstanding voltage: 100V AC/minute
3. Contact resistance: 40mΩ Max
4. Insulation resistance: 100MΩ Min
5. Operating temperature: -40°C ~ +85°C
6. Mating force : 5N~20N
7. Unmating force: 8N~20N
8. Durability cycle: 10,000 cycles

3



RECOMMENDED PCB LAYOUT  
TOLERANCE: ±0.05

SCALE: 1:1 UNIT: mm  
SIZE: A4

Title: Horizontal Type-c 16P Female  
SMT CH=1.68 L=8.35mm

Unless otherwise  
General Tolerance:  
X. ±0.20  
X.x ±0.15  
X.xx ±0.10  
X.xxx ±0.05  
Angles ±3°

Molde Code: GT-USB-7004A

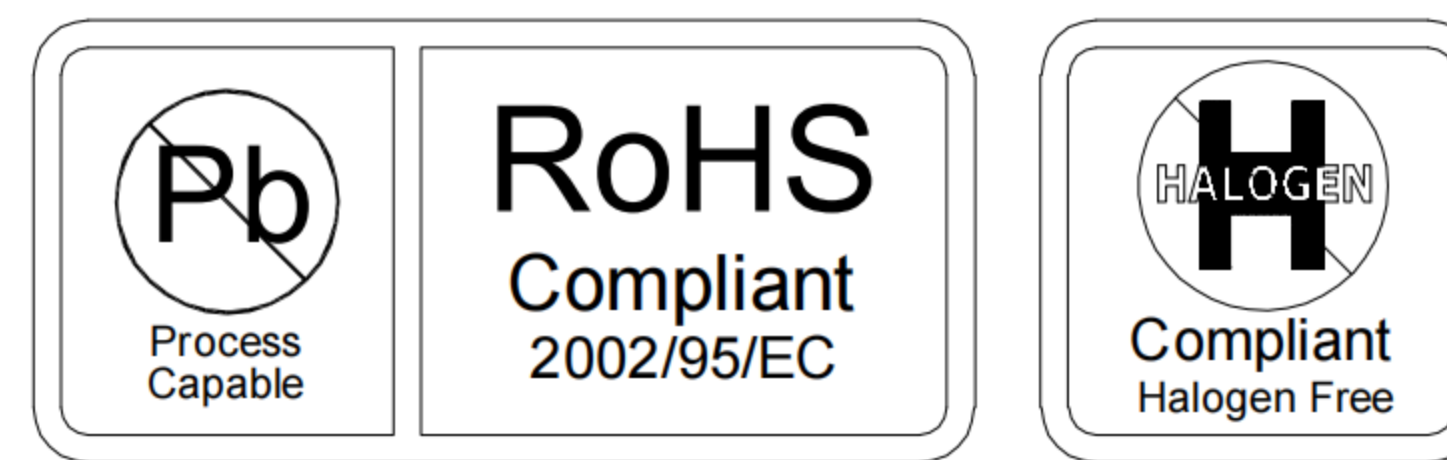
DRAWN	CHECKED	APPROVED	DATE
Xia	Chen	Chen	2023.02.01



REV: A0 SHEET: 1/1

5

NO.	PARTS	MATERIAL	REMARKS
1	SHELL	STAINLESS STEEL	NI PLATED
2	MID PLATE	STAINLESS STEEL	NI PLATED
3	HOUSING	HIGH TEMPERATURE PLASTIC	Black UL 94 V-0
4	TERMINALS	COPPER ALLOY	Au PLATING ON CONTACT AREA



A

B

C

D

E