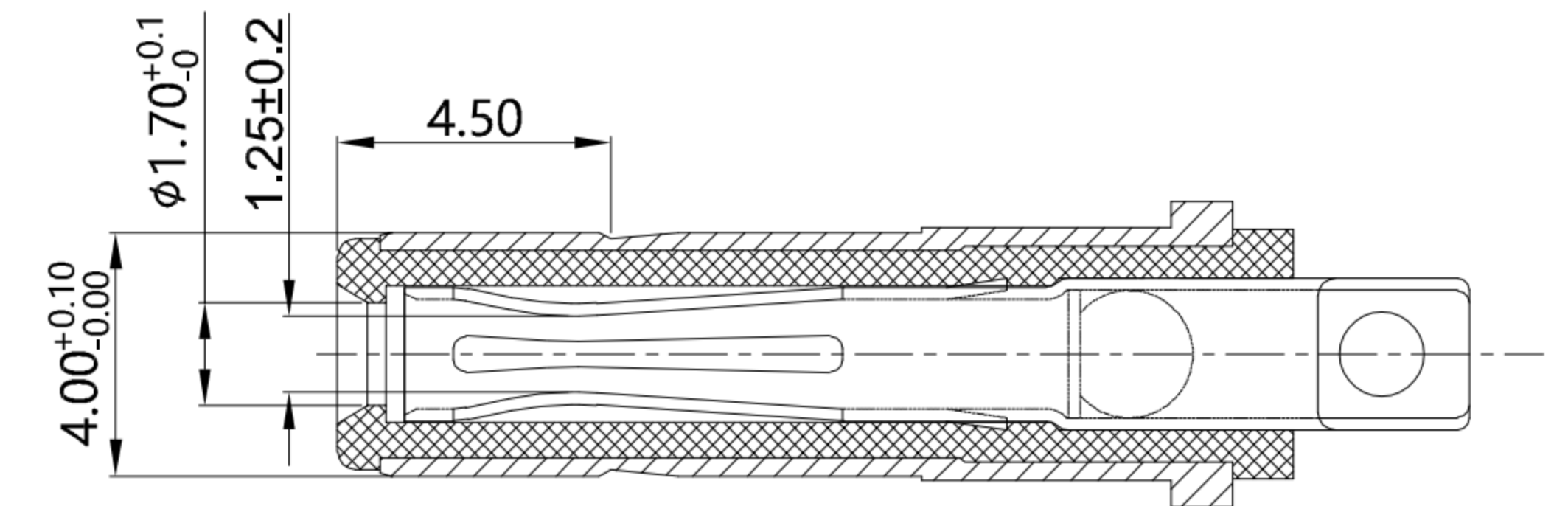
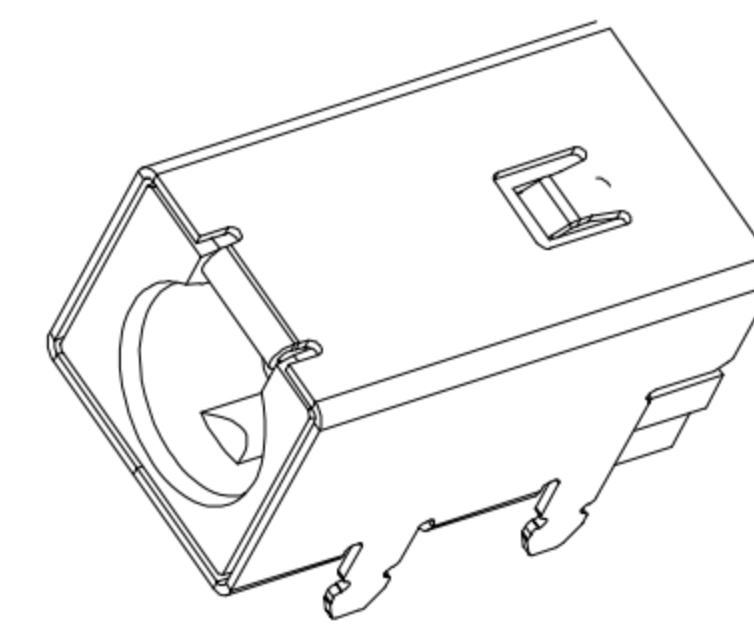


CIRCUIT DIAGRAM



MATING PLUG $\phi 4.0 \times \phi 1.7 \text{mm}$

RECOMMENDED PCB LAYOUT
TOLERANCE: ± 0.05



G-Switch Specification:

1. Operating temperature range: $-40^{\circ}\text{C} \sim +85^{\circ}\text{C}$
2. Rated load: 7A.20V DC
3. Insulation resistance: 100M Ω min
4. Withstand voltage: 500V AC/min
5. Contact resistance: 30m Ω max
6. Durability cycle: 5000 Cycles
7. Insertion and extraction force: 3-30N

| | | | |
|-----|------------|--------------------------|---------------|
| A | HOUSING | HIGH TEMPERATURE PLASTIC | BLACK |
| B | SHELL | COPPER ALLOY | Ni PLATING |
| C | CENTER PIN | BRASS | GOLD FLASH/Ni |
| NO. | PART NAME | MATERIAL | REMARK |



SCALE: 1:1 UNIT: mm
SIZE: A4

Unless otherwise
General tolerance:
X ± 0.50
X.x ± 0.30
X.xx ± 0.20
X.xxx ± 0.10
X.x $^{\circ}$ $\pm 3^{\circ}$

Title: Horizontal DC Power Jack 4017
DIP CH=2.88 L=11.0 $\phi 1.65 \text{mm}$

Molde Code: DC-S004A-D0165-7A

| | | | |
|-------|---------|----------|------------|
| DRAWN | CHECKED | APPROVED | DATE |
| Xia | Chen | Chen | 2023.02.01 |



REV: A0 SHEET: 1/1