

A

B

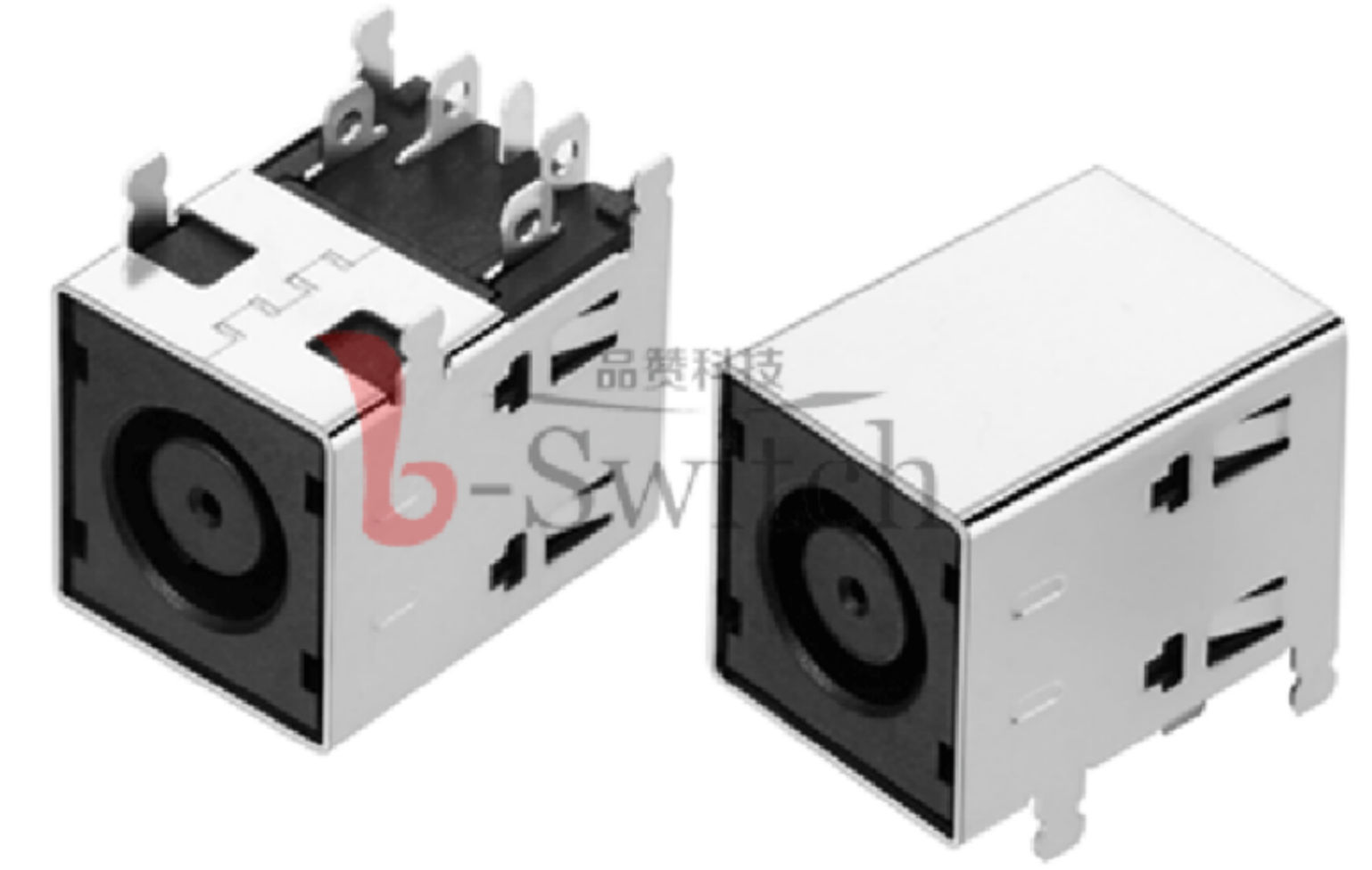
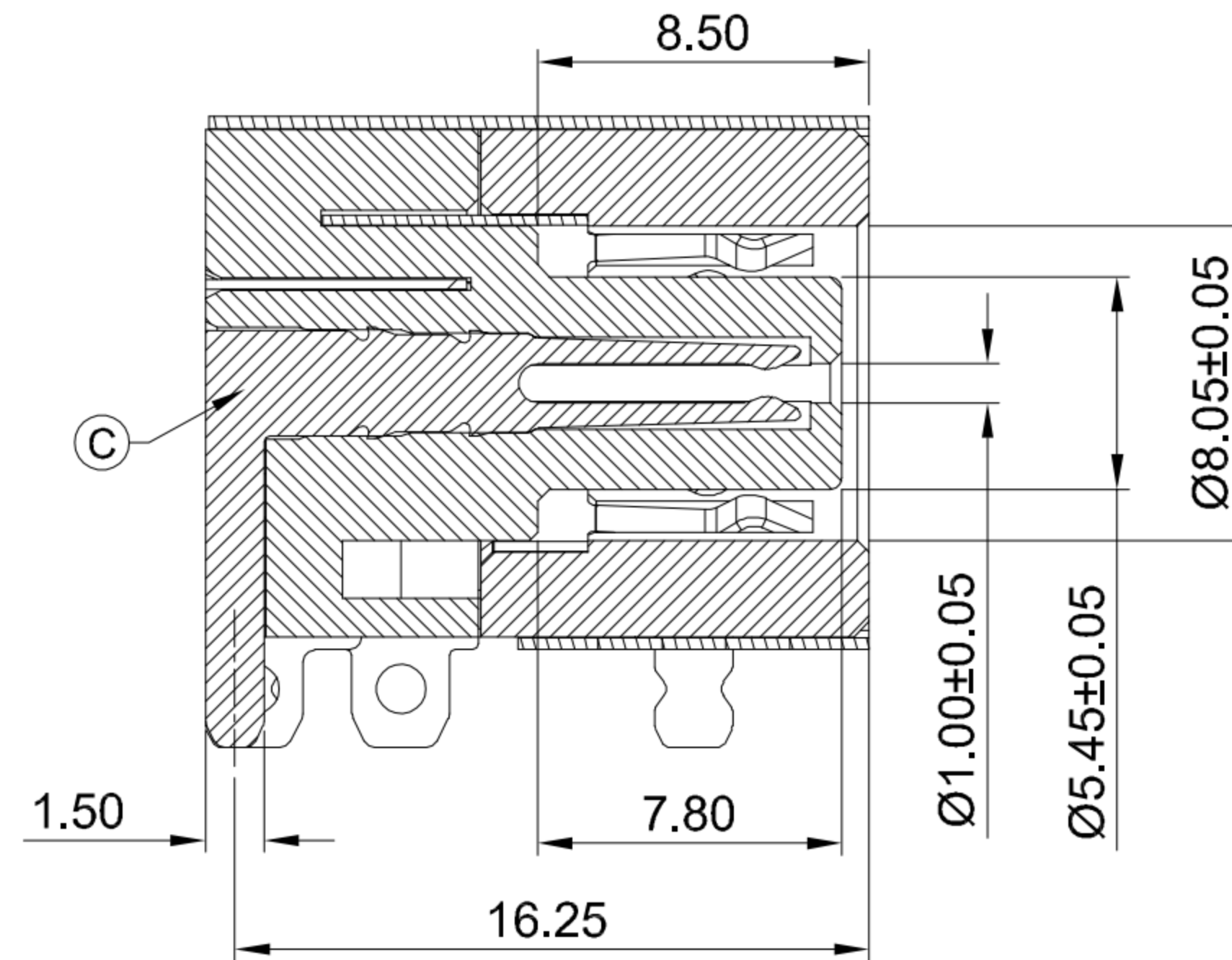
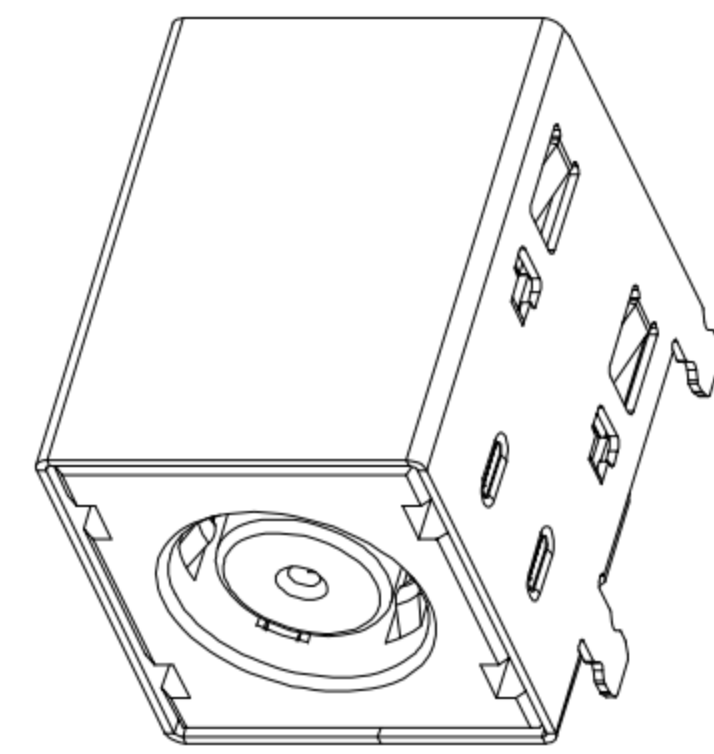
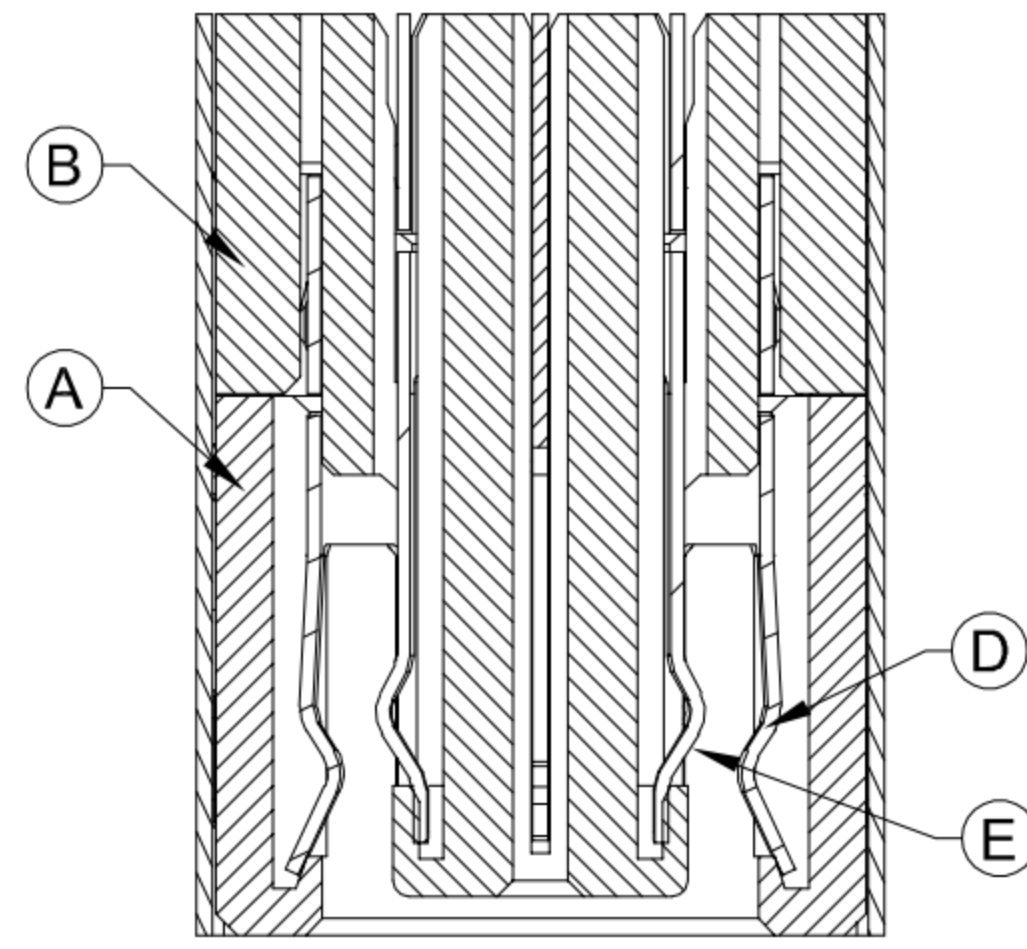
C

D

E

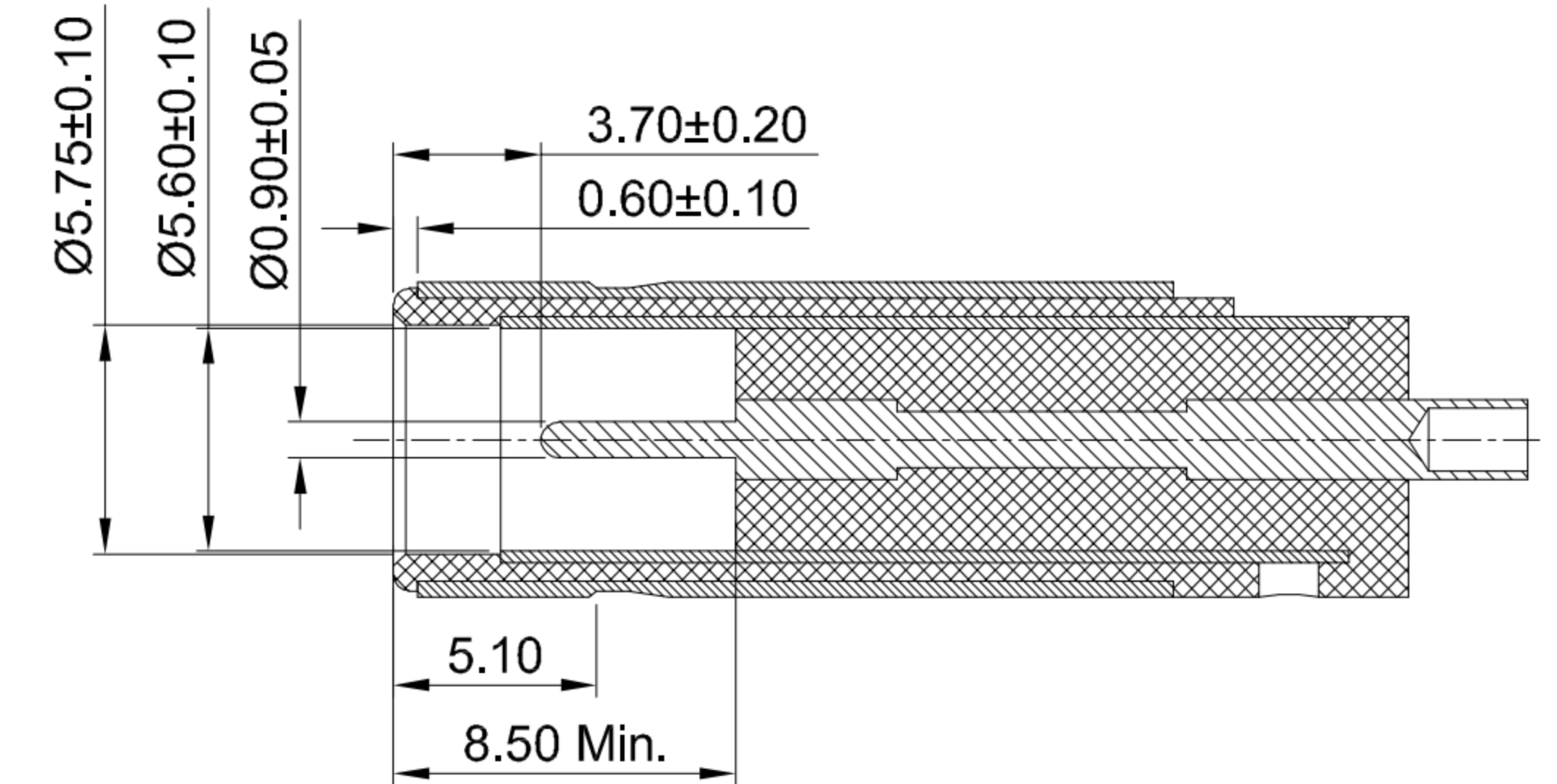
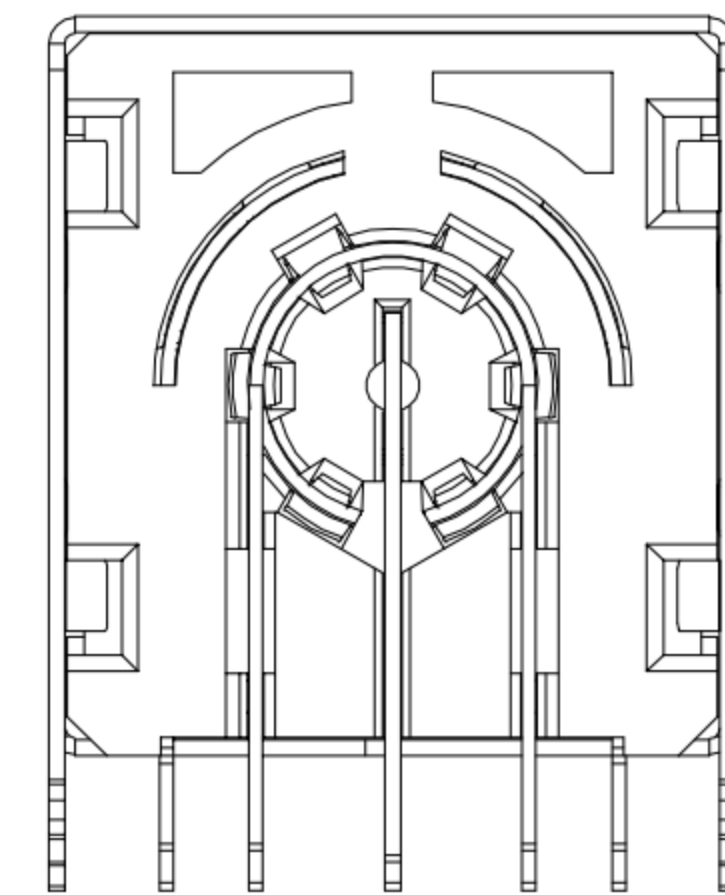
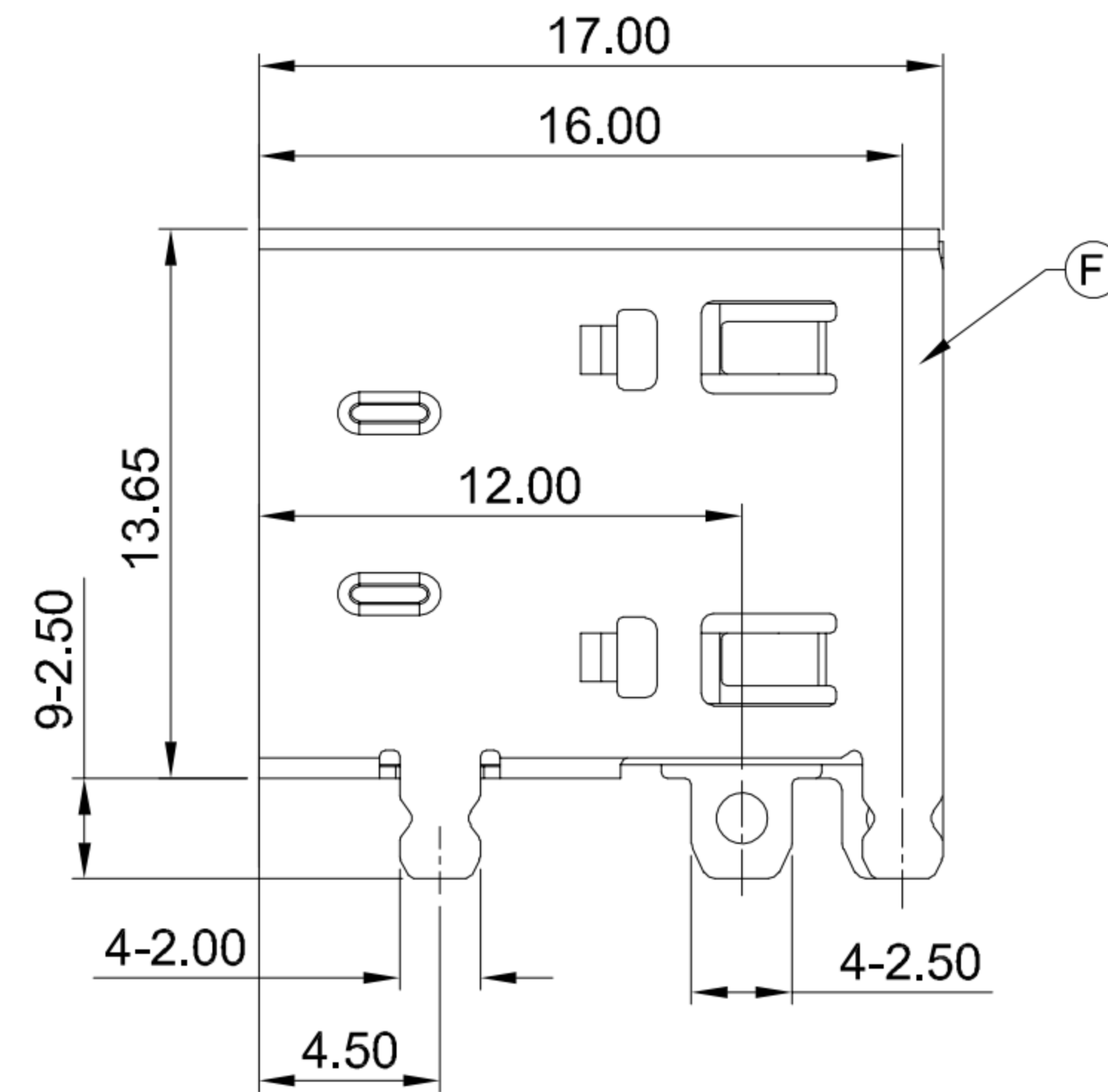
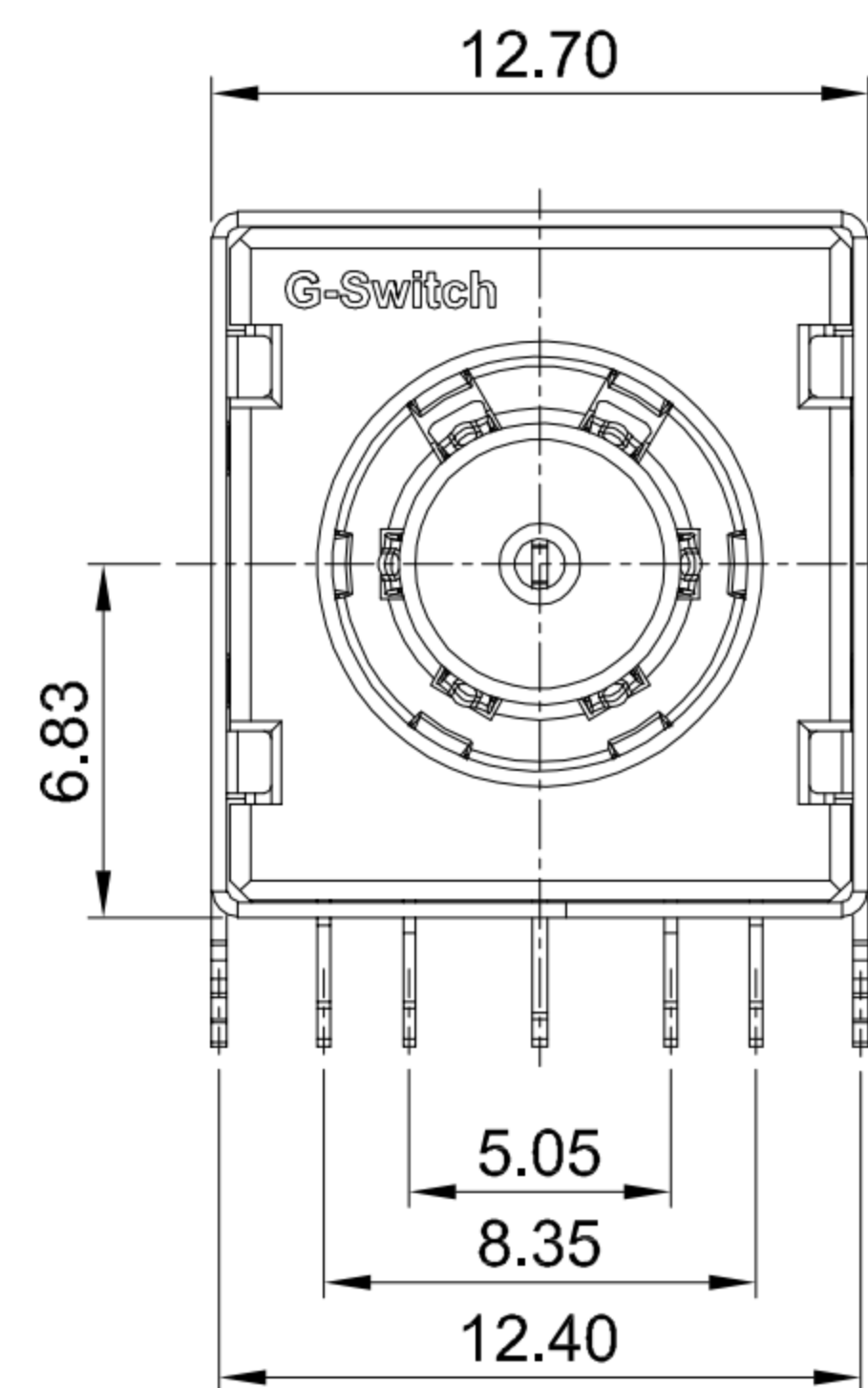
1

1



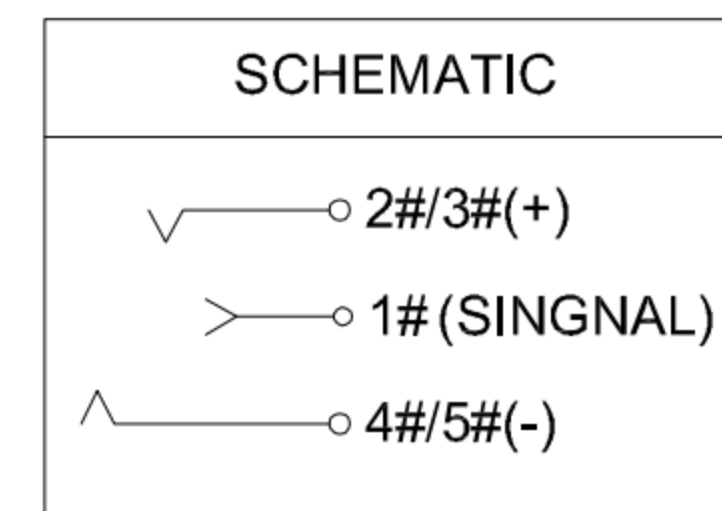
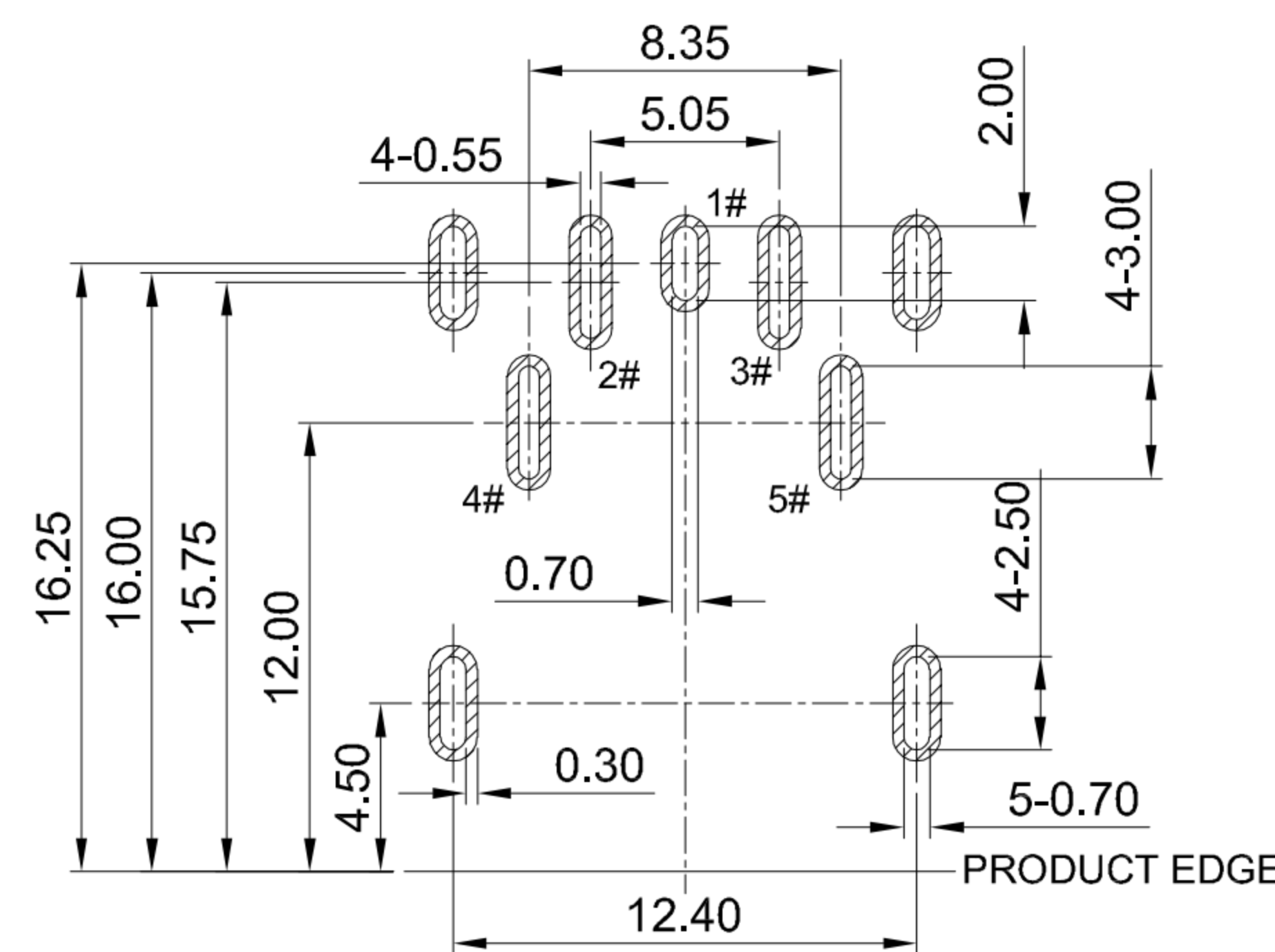
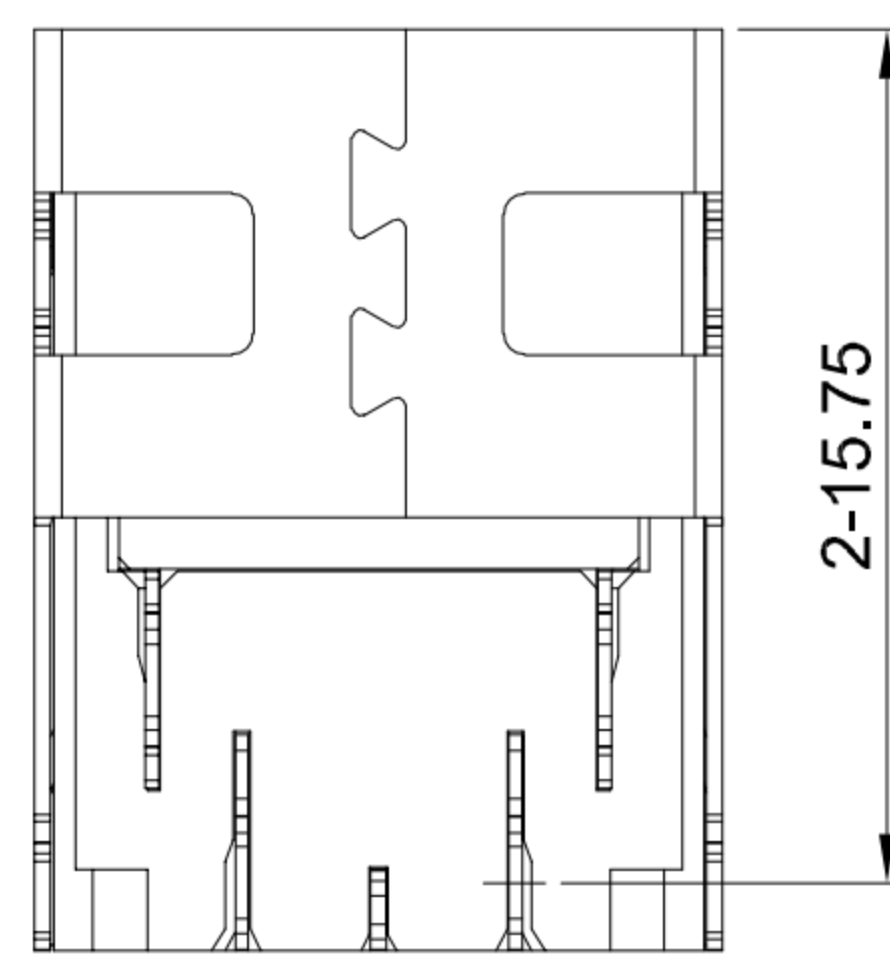
2

2



3

3



CIRCUIT DIAGRAM

MATING PLUG Ø5.6xØ0.9mm

**G-Switch Specification:**

1. Operating temperature range: -40°C ~ +85°C
2. Rated load: 25A.30V DC
3. Insulation resistance: 100MΩ min
4. Withstand voltage: 500V AC/min
5. Contact resistance: Center Pin 30mΩ Max(Initial), 40mΩ Max(Final)  
DC\_IN+/DC\_IN-: 15mΩ Max(Initial), 25mΩ Max(Final).
6. Durability cycle: 5,000 Cycles
7. Insertion and extraction force: 6-25N

4

4

RECOMMENDED PCB LAYOUT  
TOLERANCE: ±0.05

F	SHELL	SUS 304	Ni 50u"MIN.	1
E	ANODE	C7025	Ni 40u"	1
D	NEGATIVE	C7025	Ni 40u"	1
C	CENTER PIN	C5210	Au1u"(CONTACT AREA)/Sn80u"/Ni 40u"	1
B	COVER	PA10T	BLACK	1
A	HOUSING	PA10T	BLACK	1
NO.	DESCRIPTION	MATERIAL	REMARKS	QTY



SCALE: 1:1 UNIT: mm  
SIZE: A4

Unless otherwise General tolerance:  
X ±0.50  
X.x ±0.30  
X.xx ±0.20  
X.xxx ±0.10  
X.x° ±2°

Title: Horizontal DC Power Jack 5609  
DIP CH=6.83 Ø1.0mm

Molde Code: DC-S013A-D010-25A

DRAWN	CHECKED	APPROVED	DATE
Xia	Chen	Chen	2023.02.01



REV: A0	SHEET: 1/1
---------	------------

5

5

A

B

C

D

E