

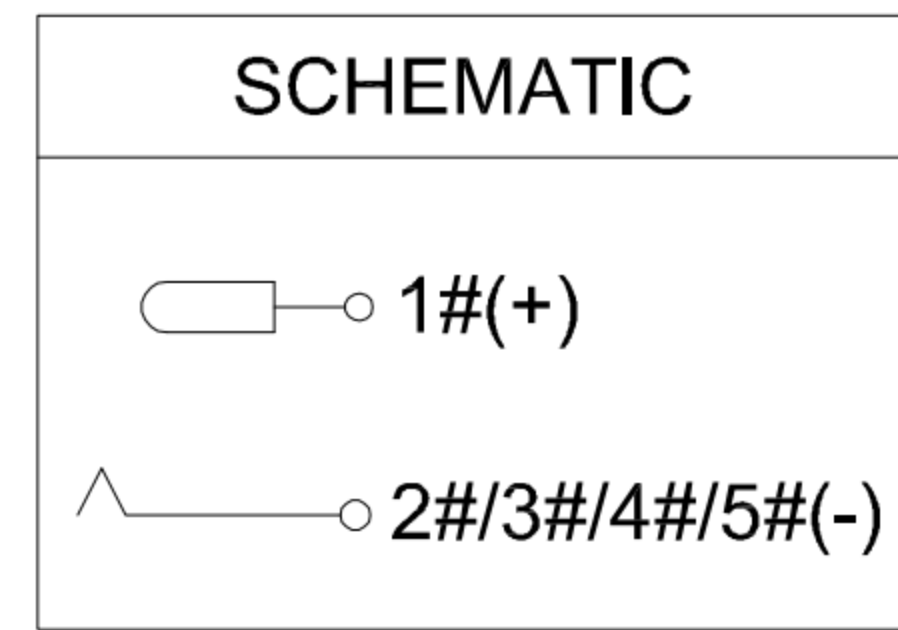
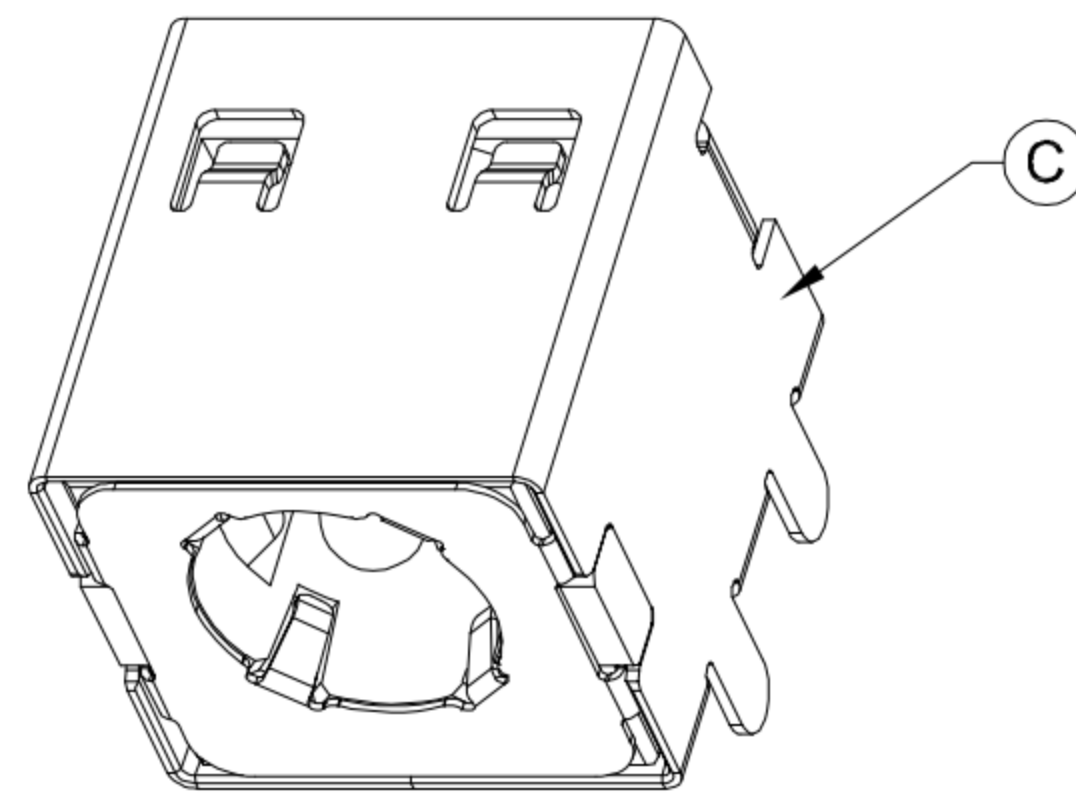
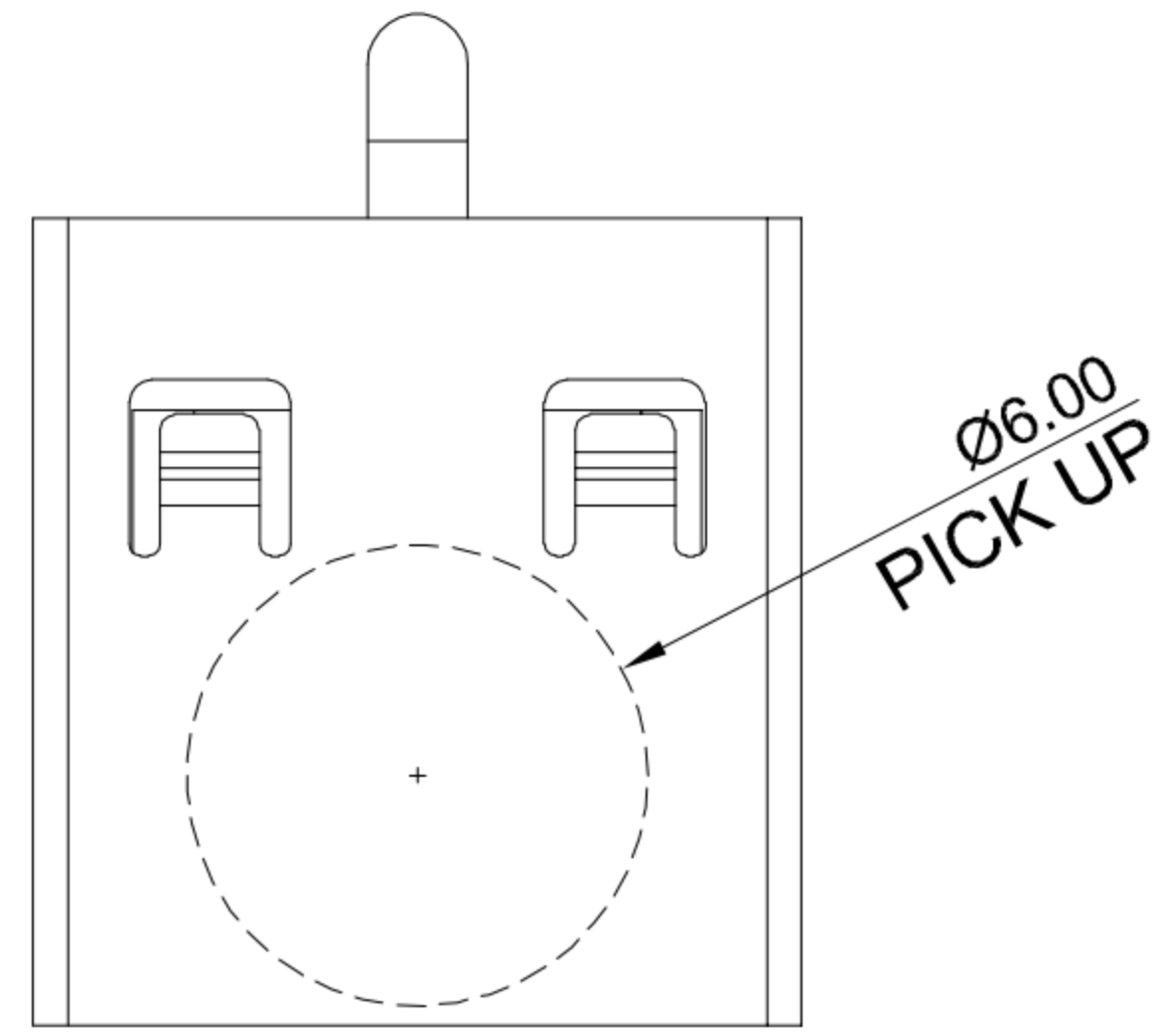
A

B

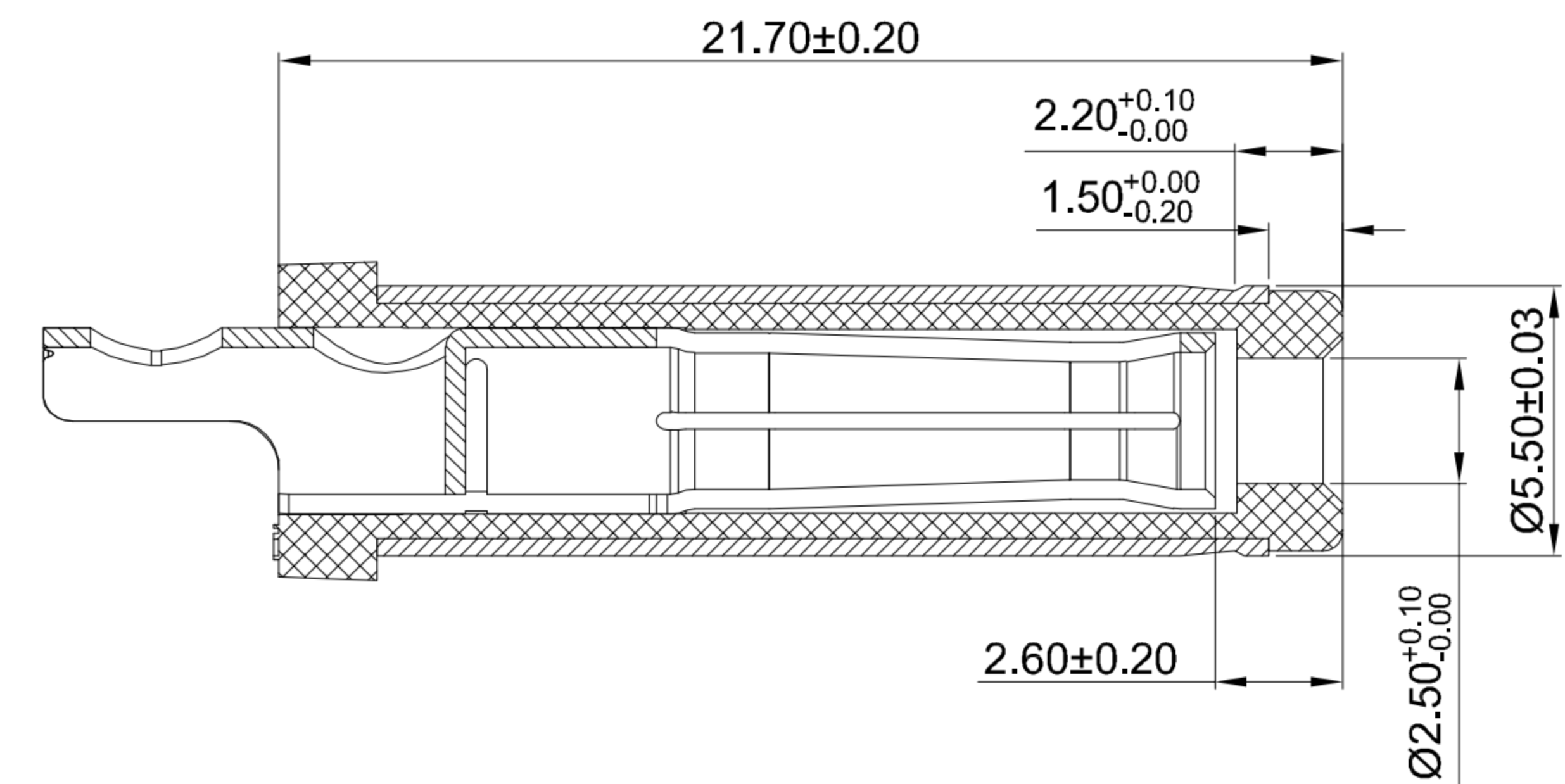
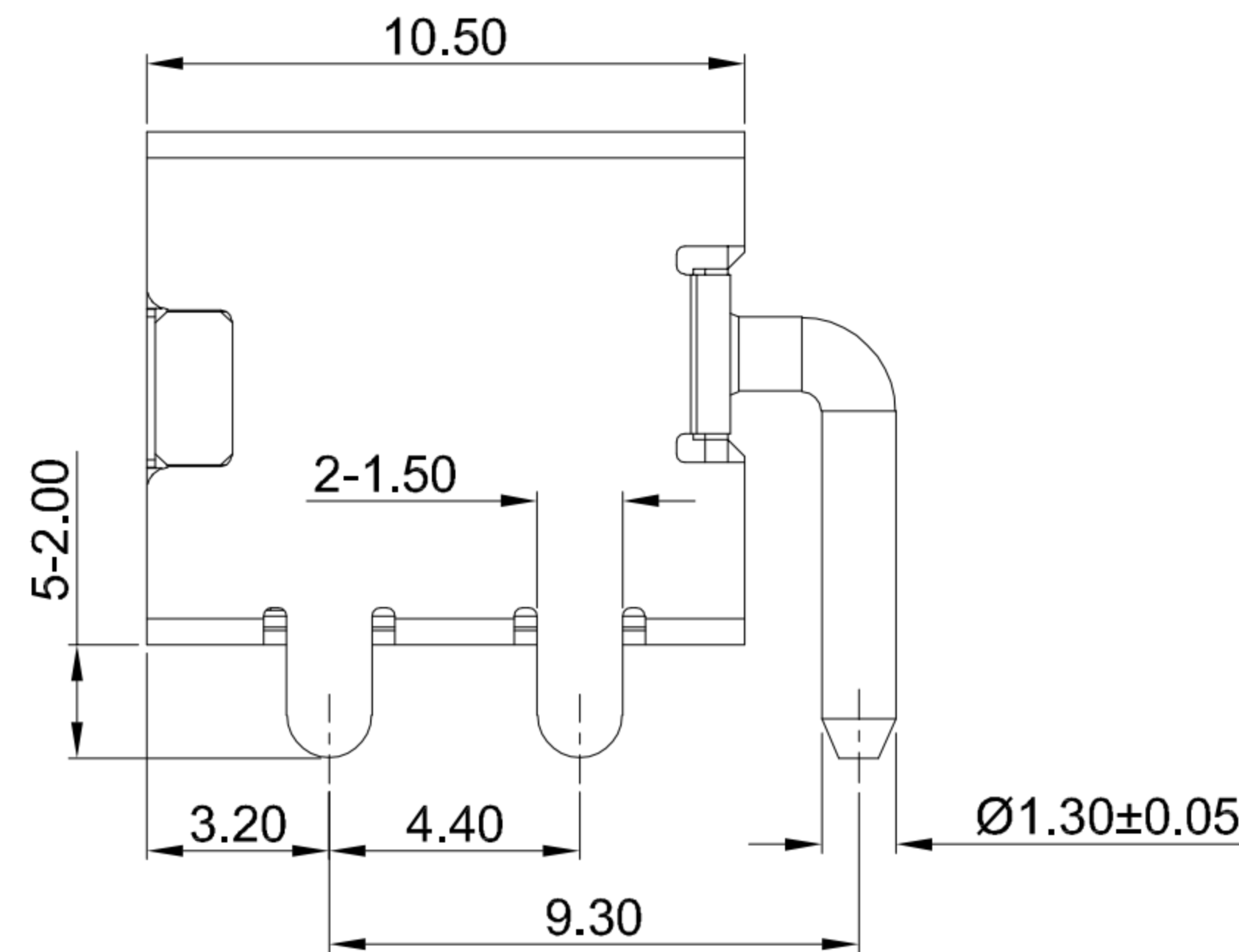
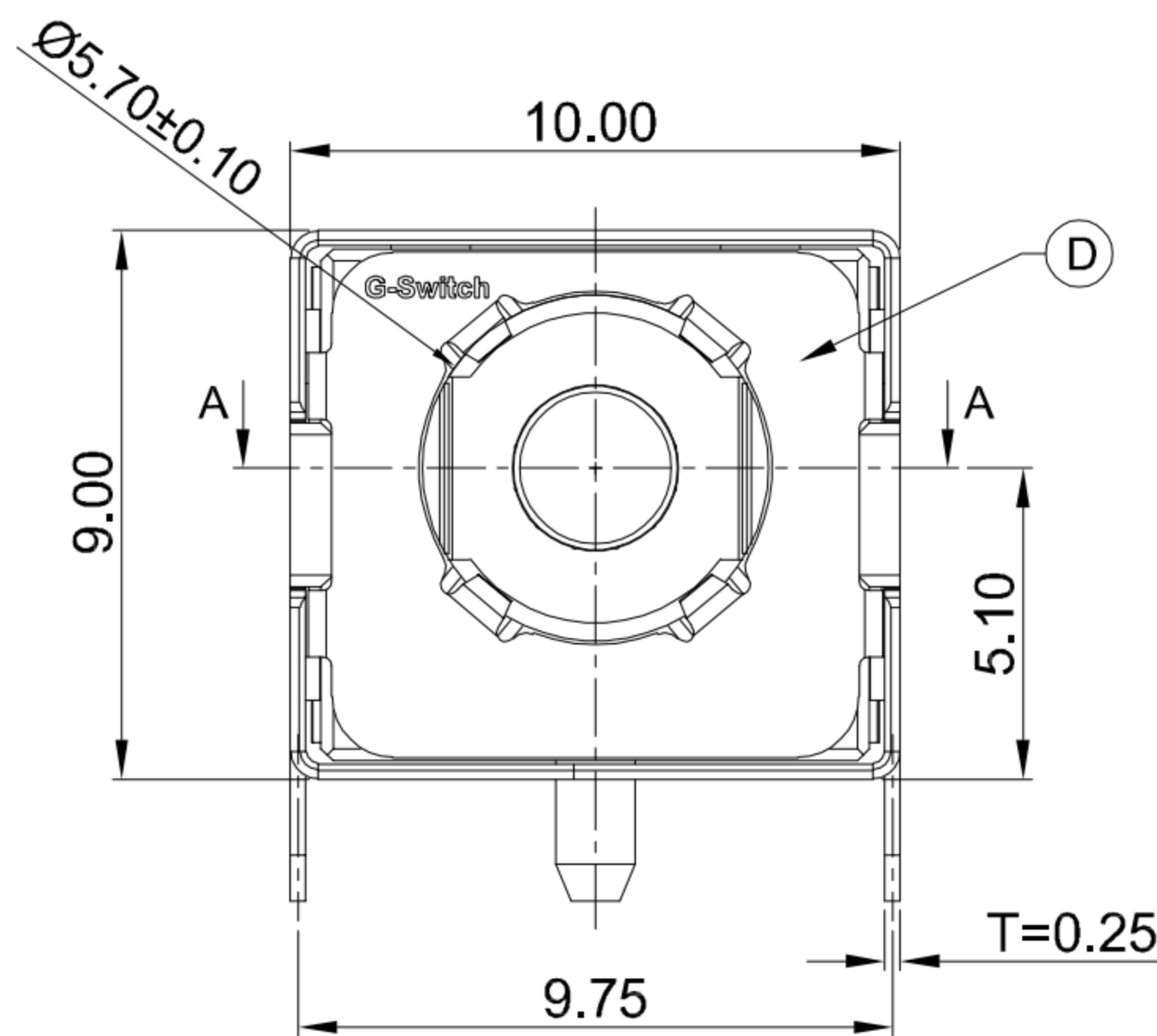
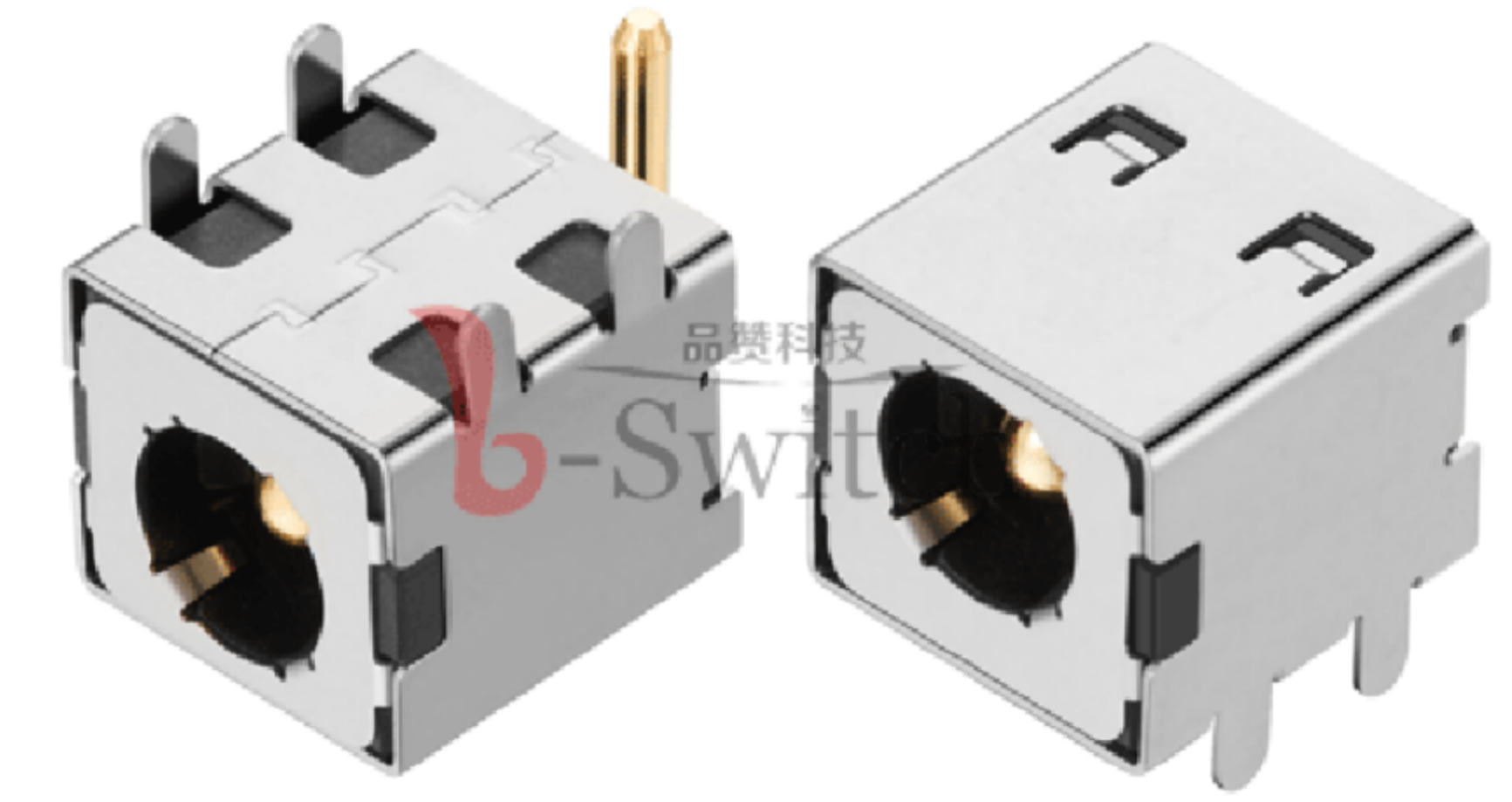
C

D

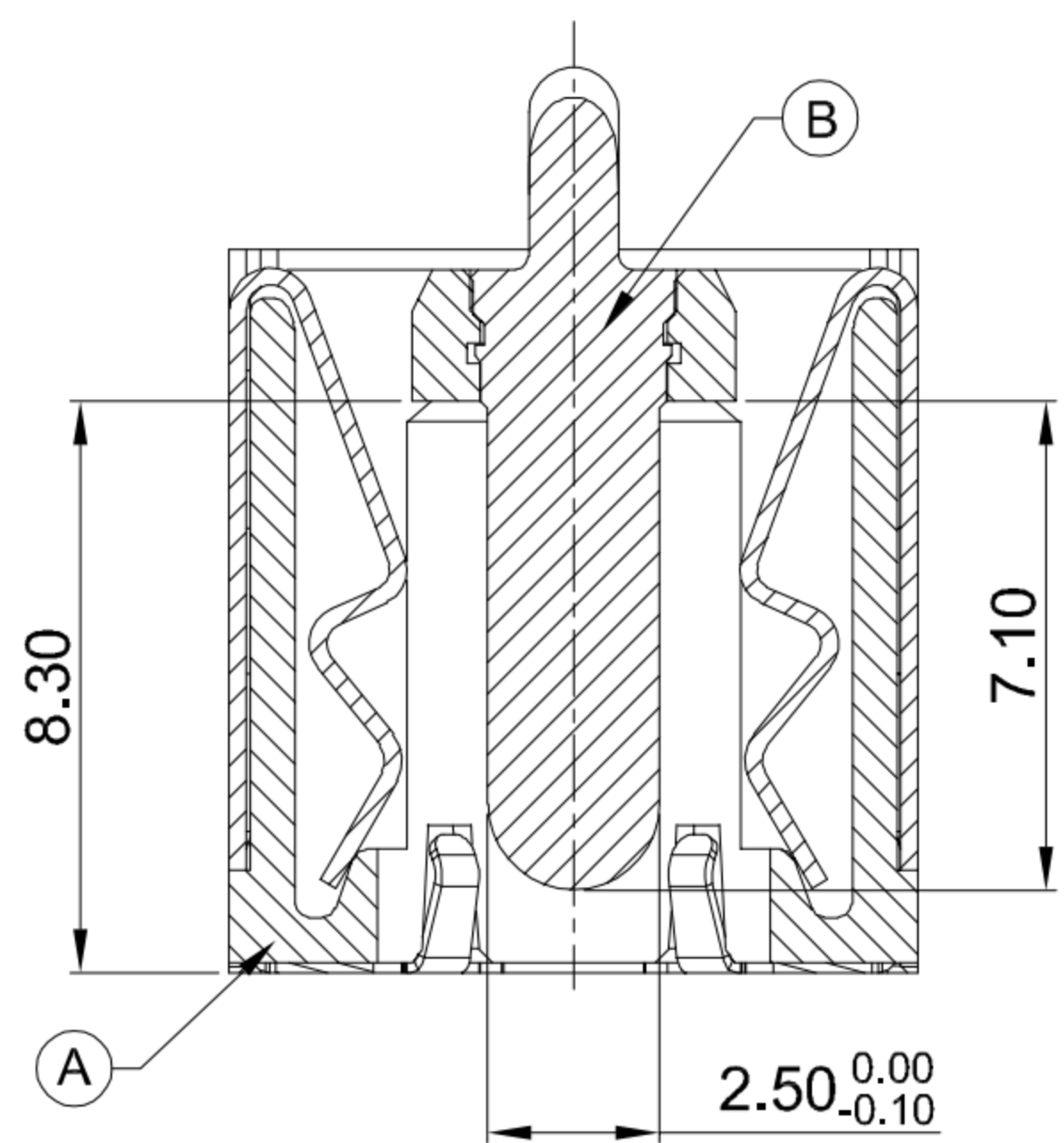
E



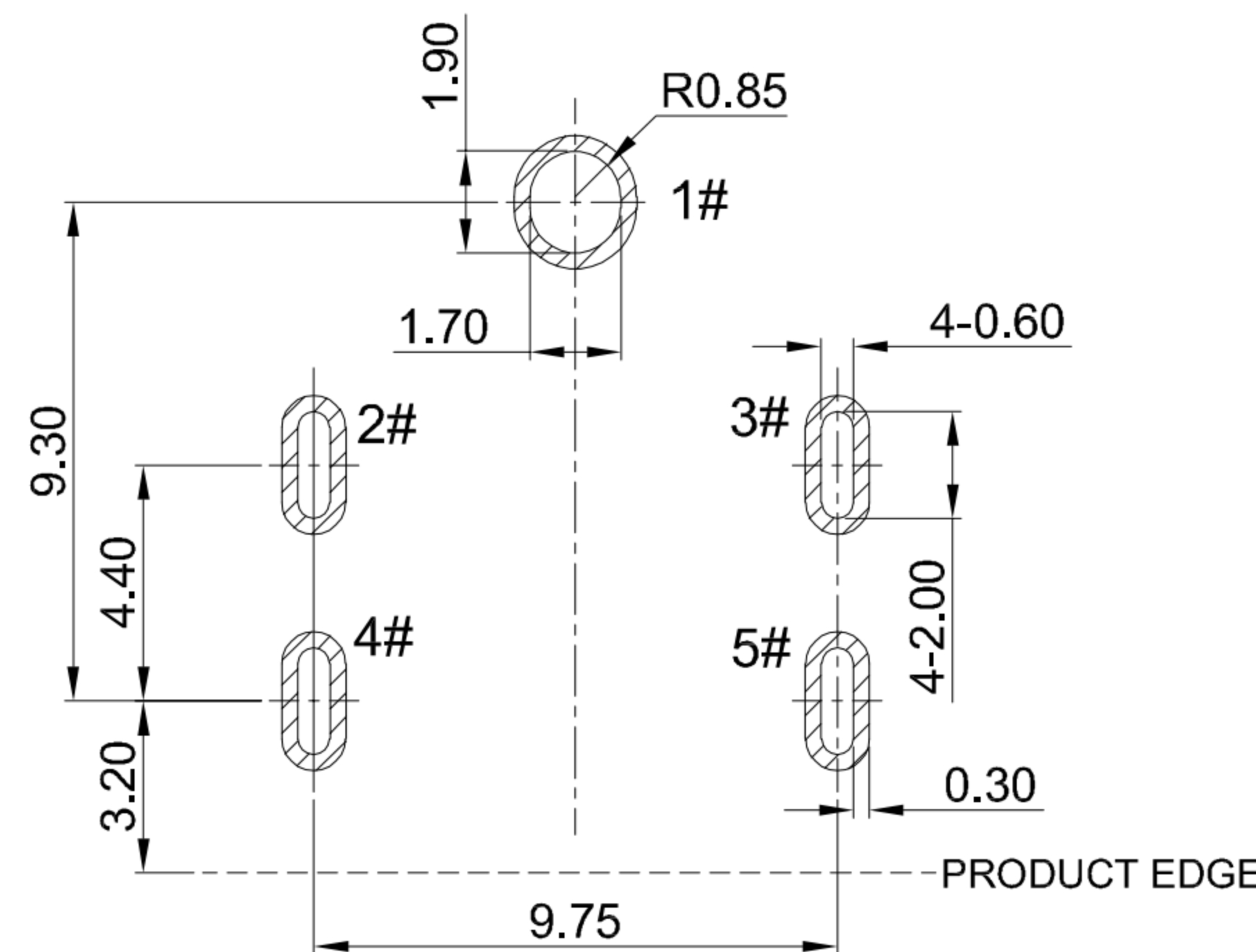
CIRCUIT DIAGRAM



MATING PLUG Ø5.5xØ2.5mm



SECTION A-A



RECOMMENDED PCB LAYOUT TOLERANCE:±0.05

G-Switch Specification:

1. Operating temperature range: -40°C ~ +85°C
2. Rated load: 12A.30V DC
3. Insulation resistance: 100MΩ min
4. Withstand voltage: 500V AC/min
5. Contact resistance: 30mΩ Max(Initial), 50mΩ Max(Final)
6. Durability cycle: 5,000 Cycles
7. Insertion and extraction force: 3-30N

NO.	DESCRIPTION	MATERIAL	REMARKS	QTY
D	GROUND	SUS 304		1
C	SHELL	C5210	Ni 40u" MIN.	1
B	CENTER PIN	BRASS	GOLD FLASH /Ni 40u" MIN.	1
A	HOUSING	PA10T	BLACK	1



SCALE: 1:1 UNIT: mm
 SIZE: A4

Title: Horizontal DC Power Jack 5525
 DIP CH=5.1 L=10.5 Ø2.5mm

Unless otherwise
 General tolerance:
 X ±0.50
 X.x ±0.30
 X.xx ±0.20
 X.xxx ±10
 X.x° ±2°

Molde Code: DC-S014A-D025-12A

DRAWN	CHECKED	APPROVED	DATE
Xia	Chen	Chen	2023.02.01



REV: A0 SHEET: 1/1

A

B

C

D

E