

A

B

C

D

E

1

1

2

2

3

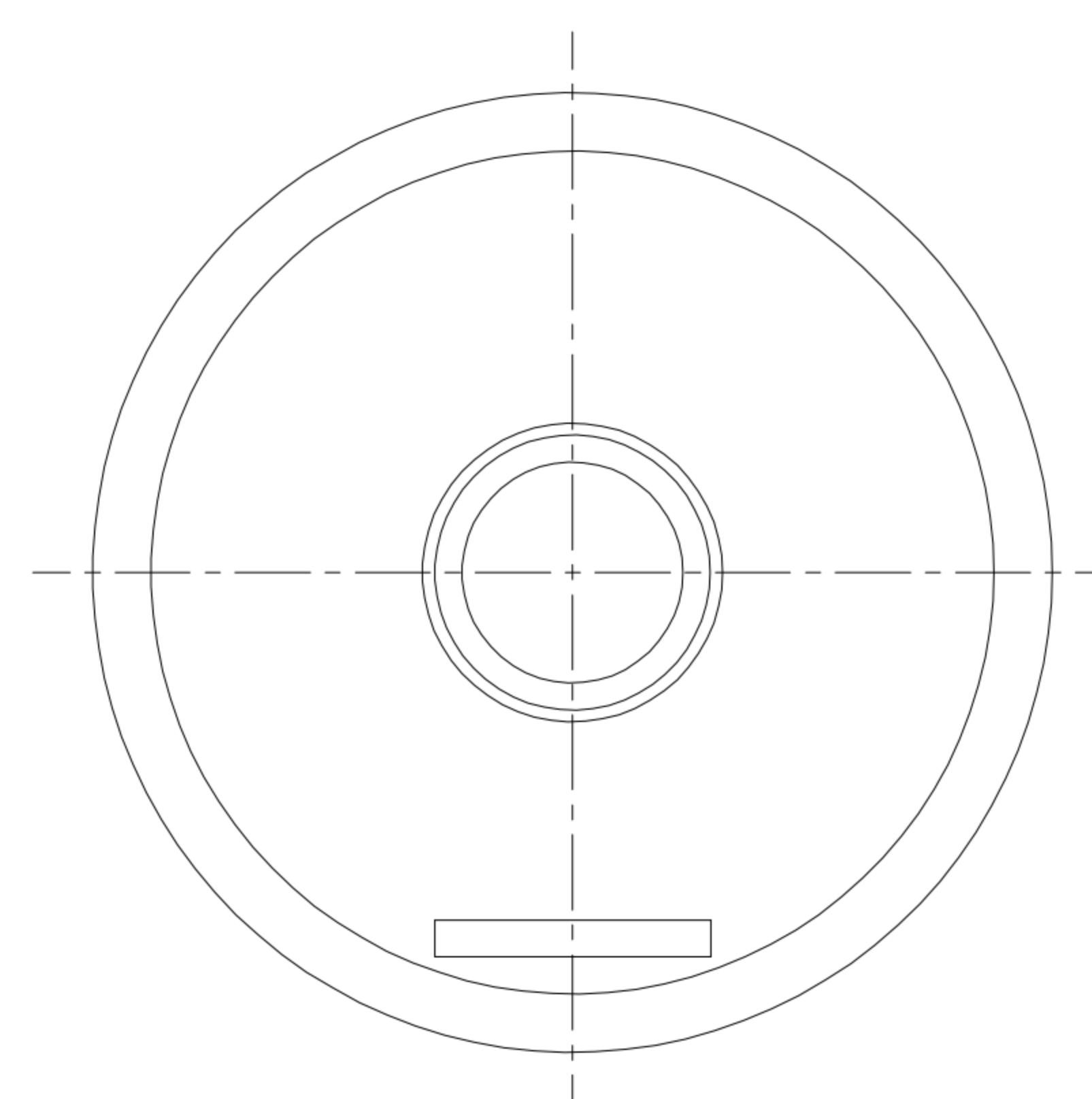
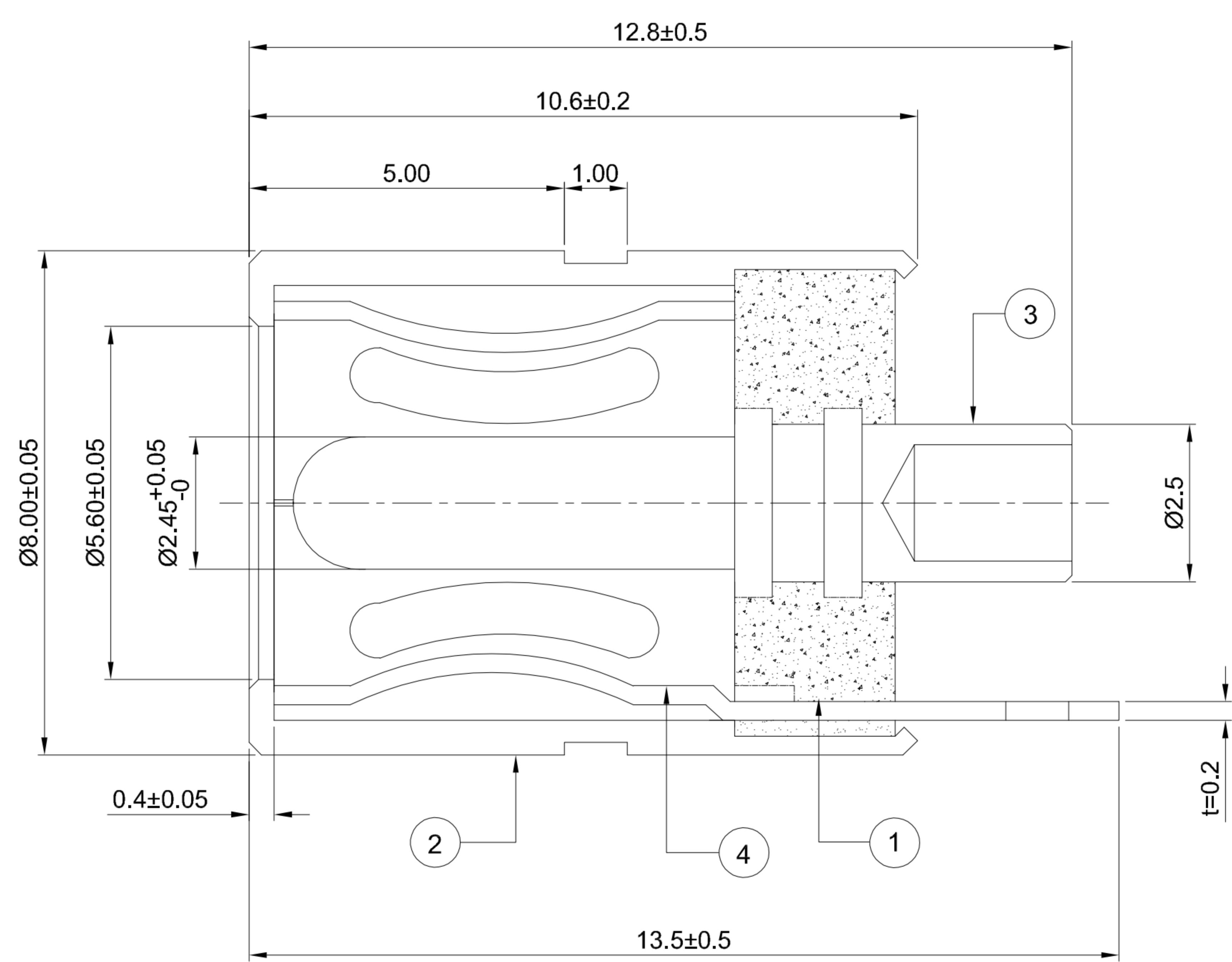
3

4

4

5

5



G-Switch Specification:

- 1. Operating temperature range: -40°C ~ +85°C
- 2. Rated load: 15A 24V DC.
- 3. Insulation resistance: 100MΩ min
- 4. Withstand voltage: 500V AC/min
- 5. Contact resistance: 30mΩ max
- 6. Durability cycle: 5,000 Cycles
- 7. Insertion and extraction force: 3-30N

1	BASE	HIGH TEMPERATURE PLASTIC	PBT BLACK
2	SHELL	BRASS(C3604)	Ni PLATING
3	PIN	BRASS(C3604)	Ni PLATING
4	CONTACT	BRASS(C5191)	Ni PLATING
NO.	PART NAME	MATERIAL	REMARK



SCALE: 1:1	UNIT: mm
SIZE: A4	
Unless otherwise General tolerance:	
X	±0.40
X.x	±0.30
X.xx	±0.20
X°	±5°
X.x°	±3°

Title: Soldered Type DC Power Jack 5525 L=10.6 Ø2.45mm			
Molde Code: DC-S016B-D025-15A			
DRAWN	CHECKED	APPROVED	DATE
Xia	Chen	Chen	2023.02.01



REV: A0 SHEET: 1/1

A

B

C

D

E