

A

B

C

D

E

1

1

2

2

3

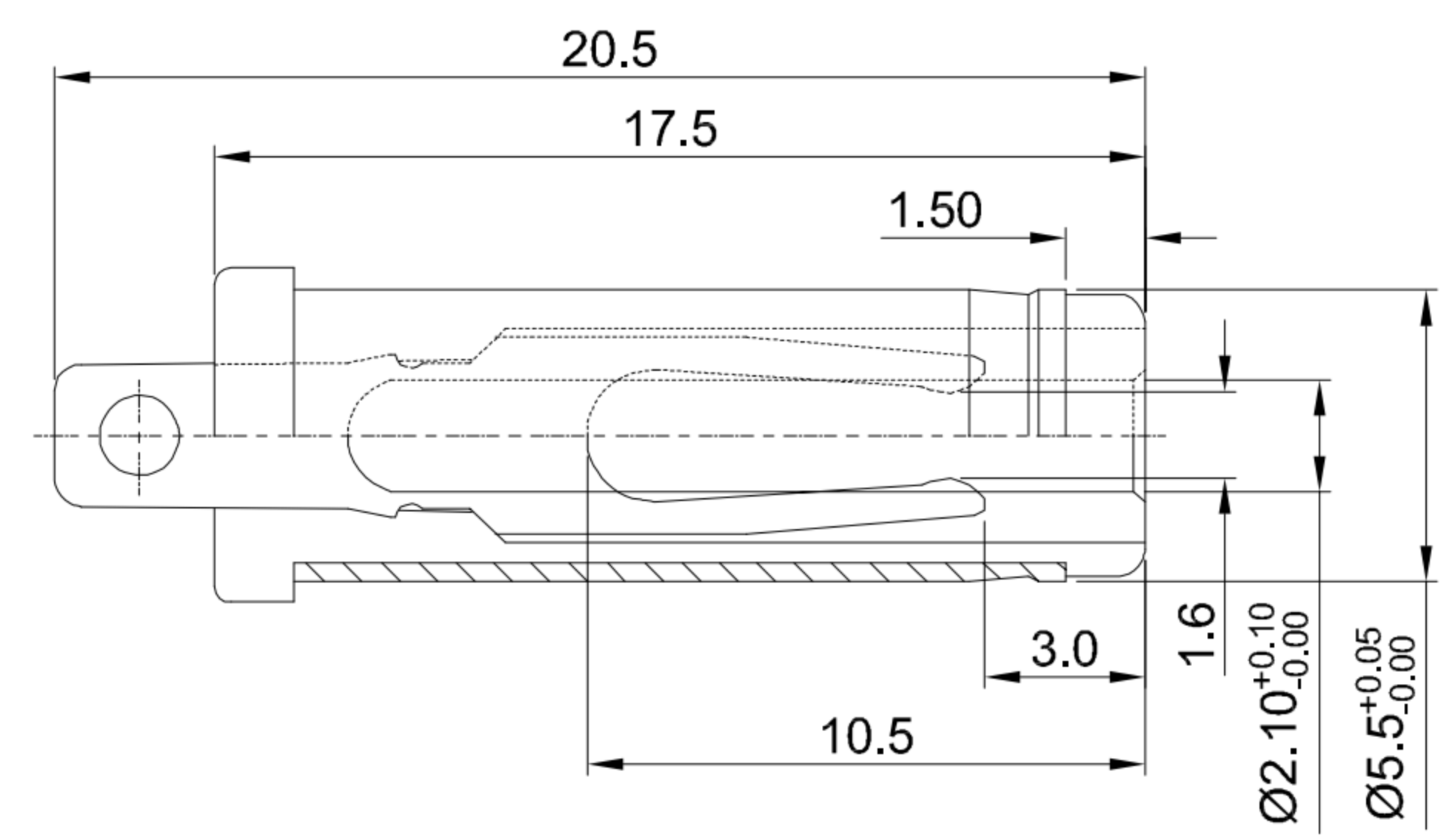
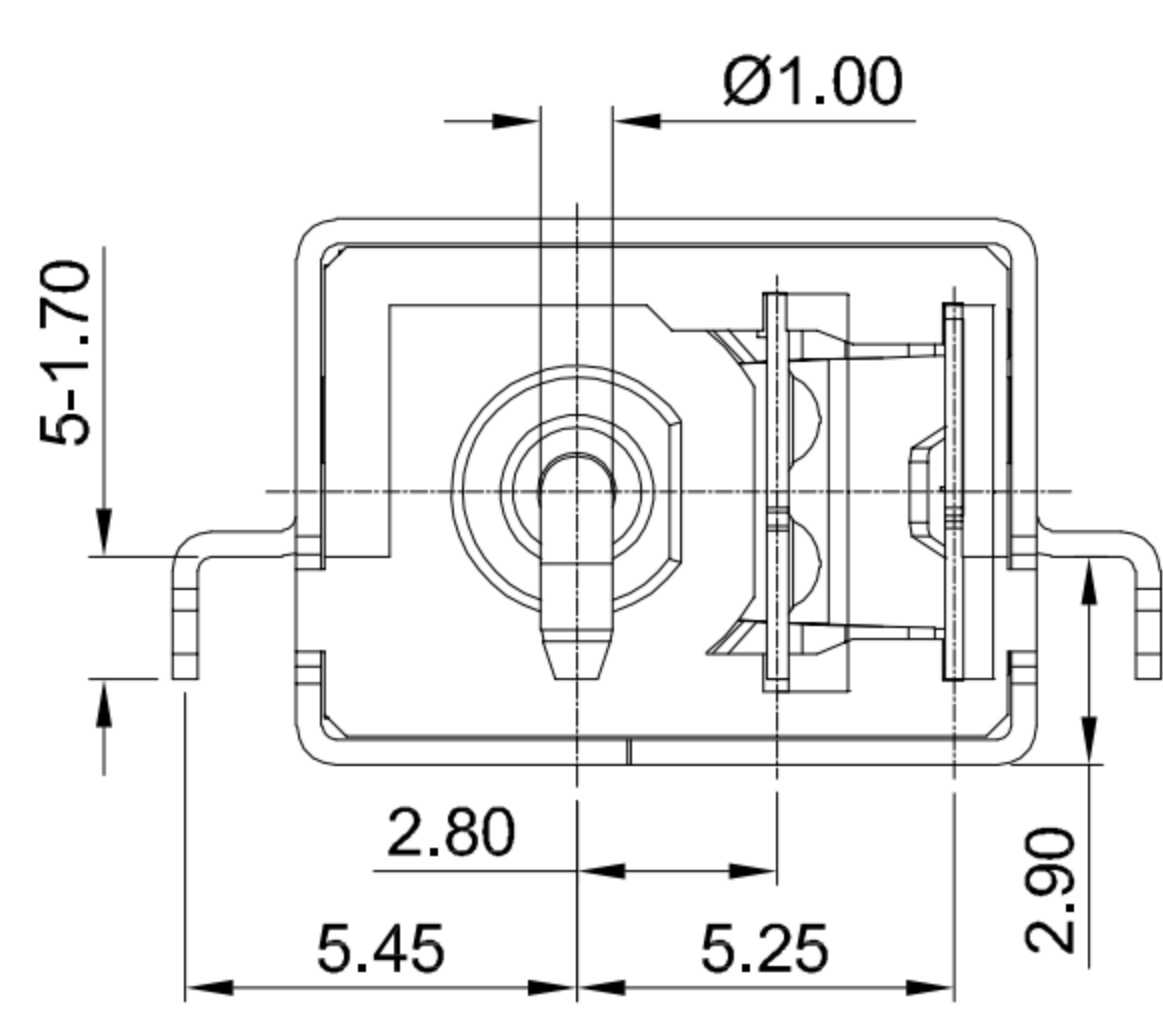
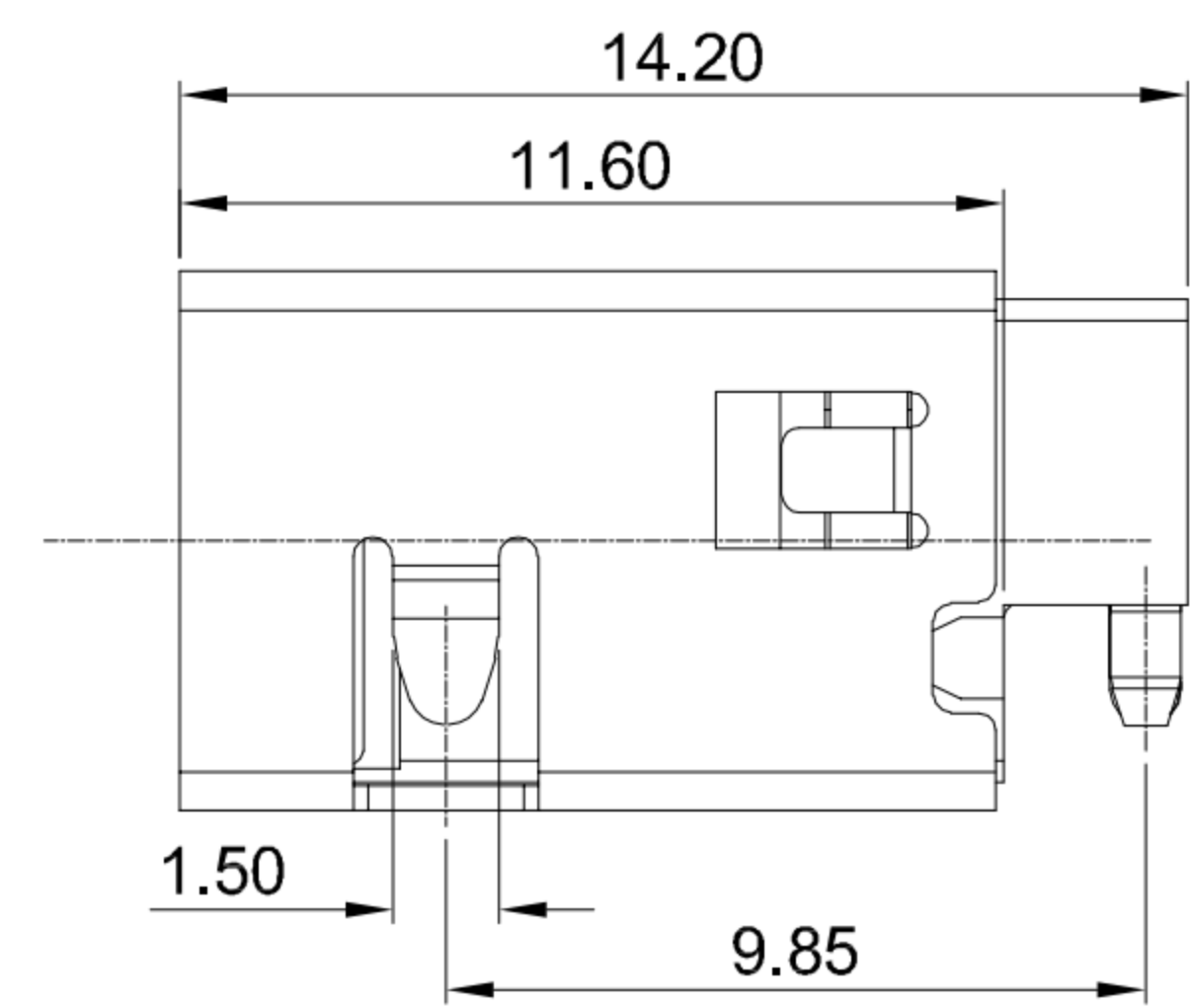
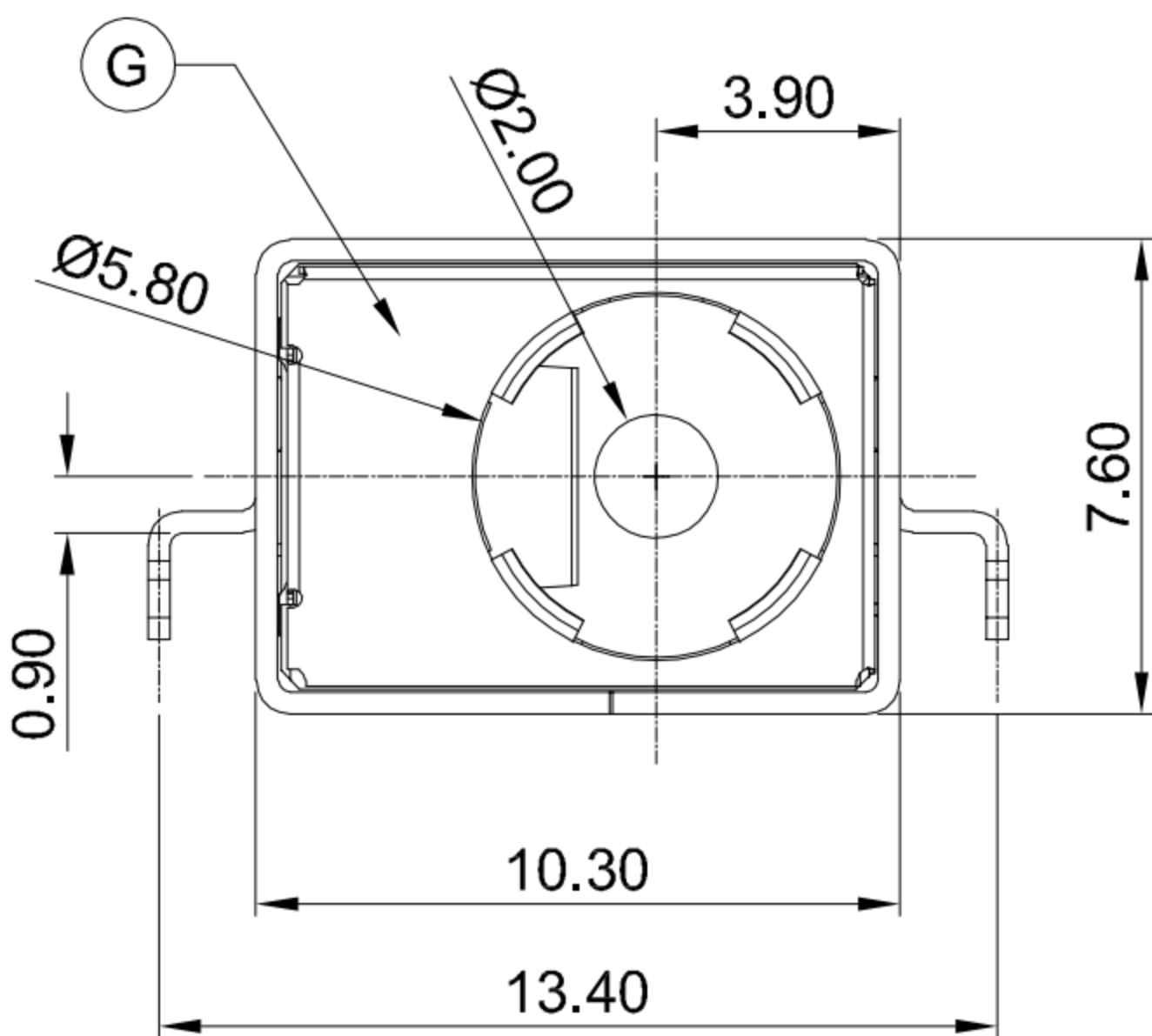
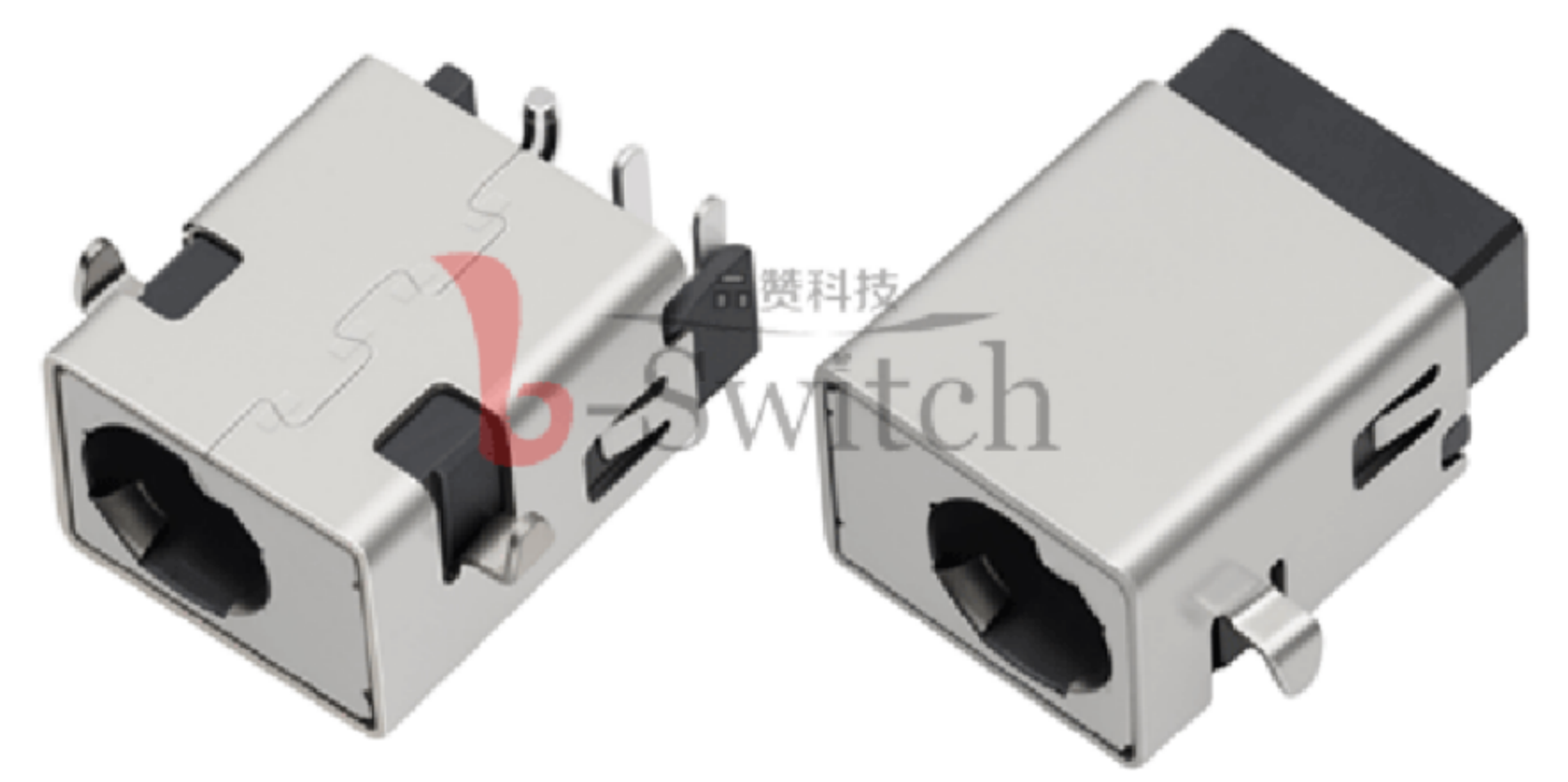
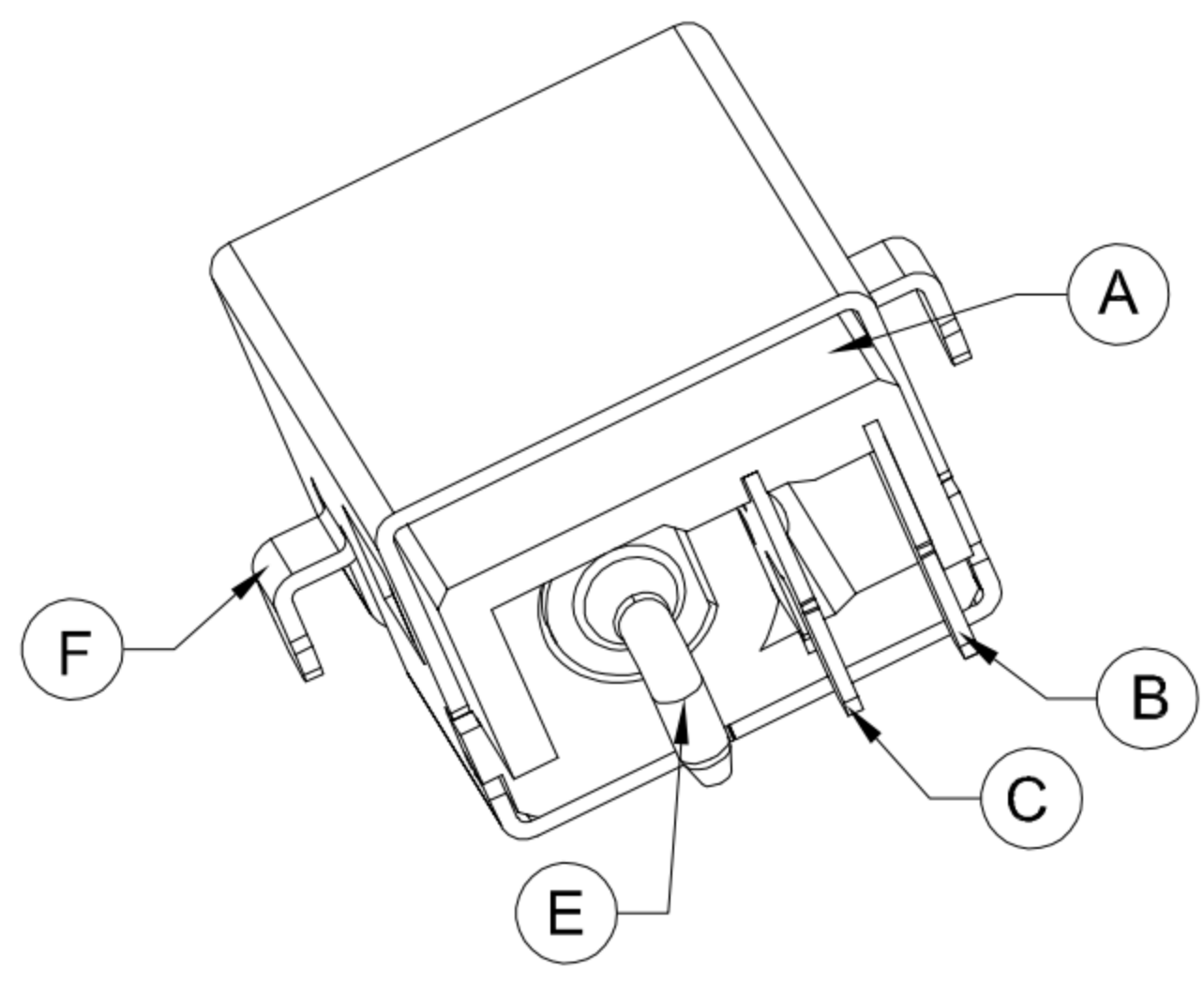
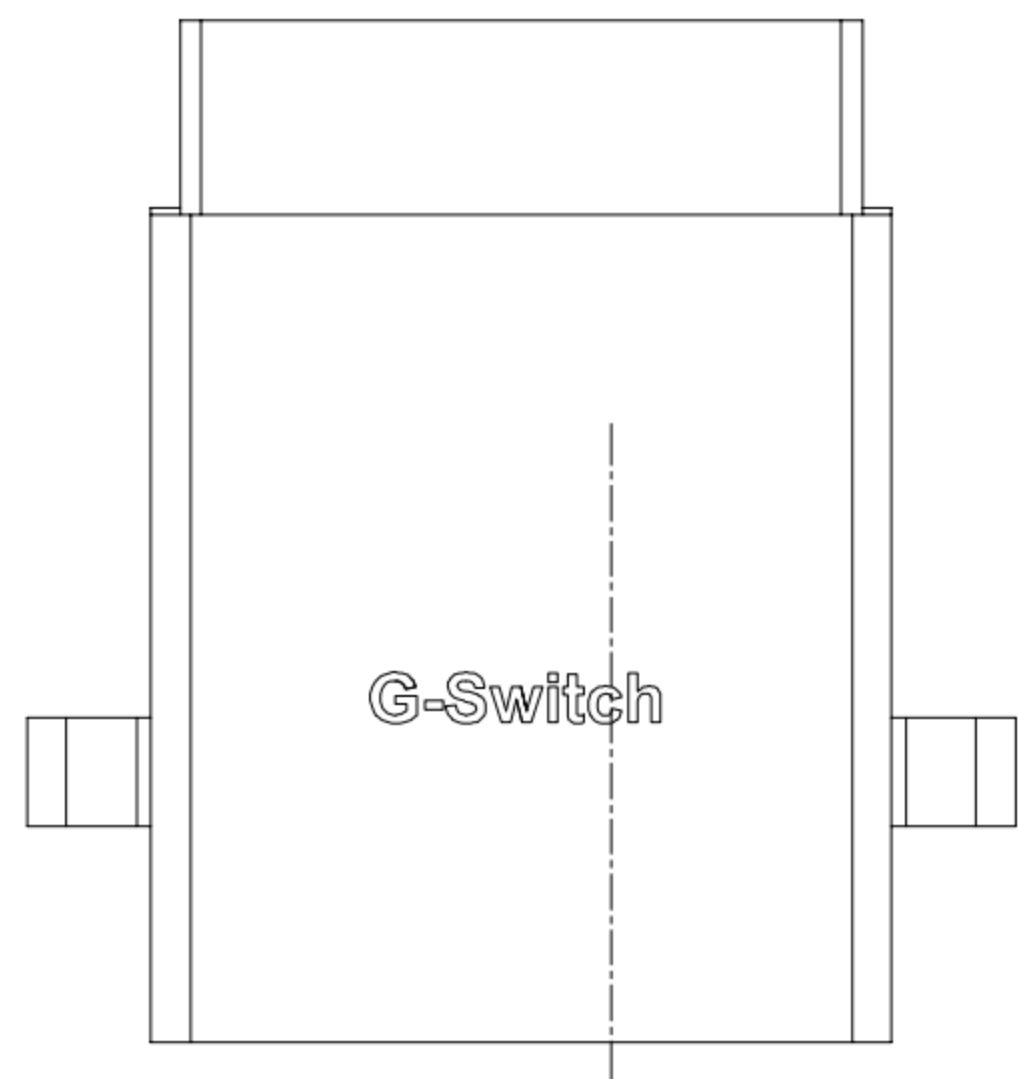
3

4

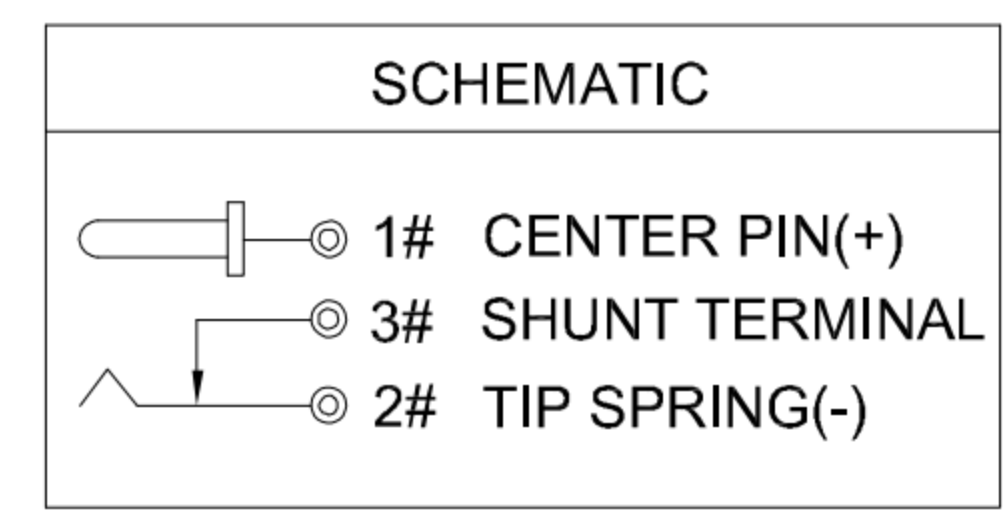
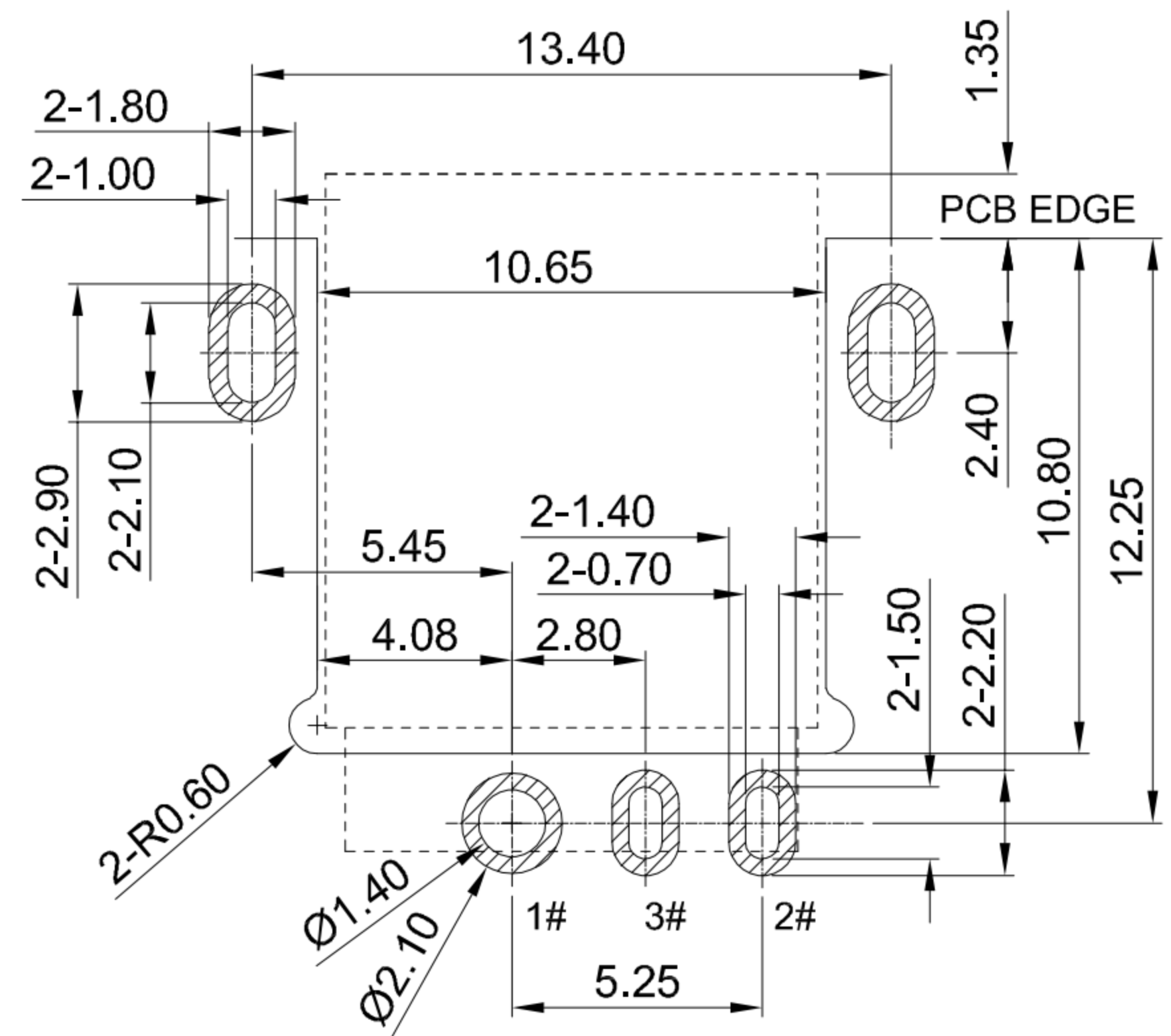
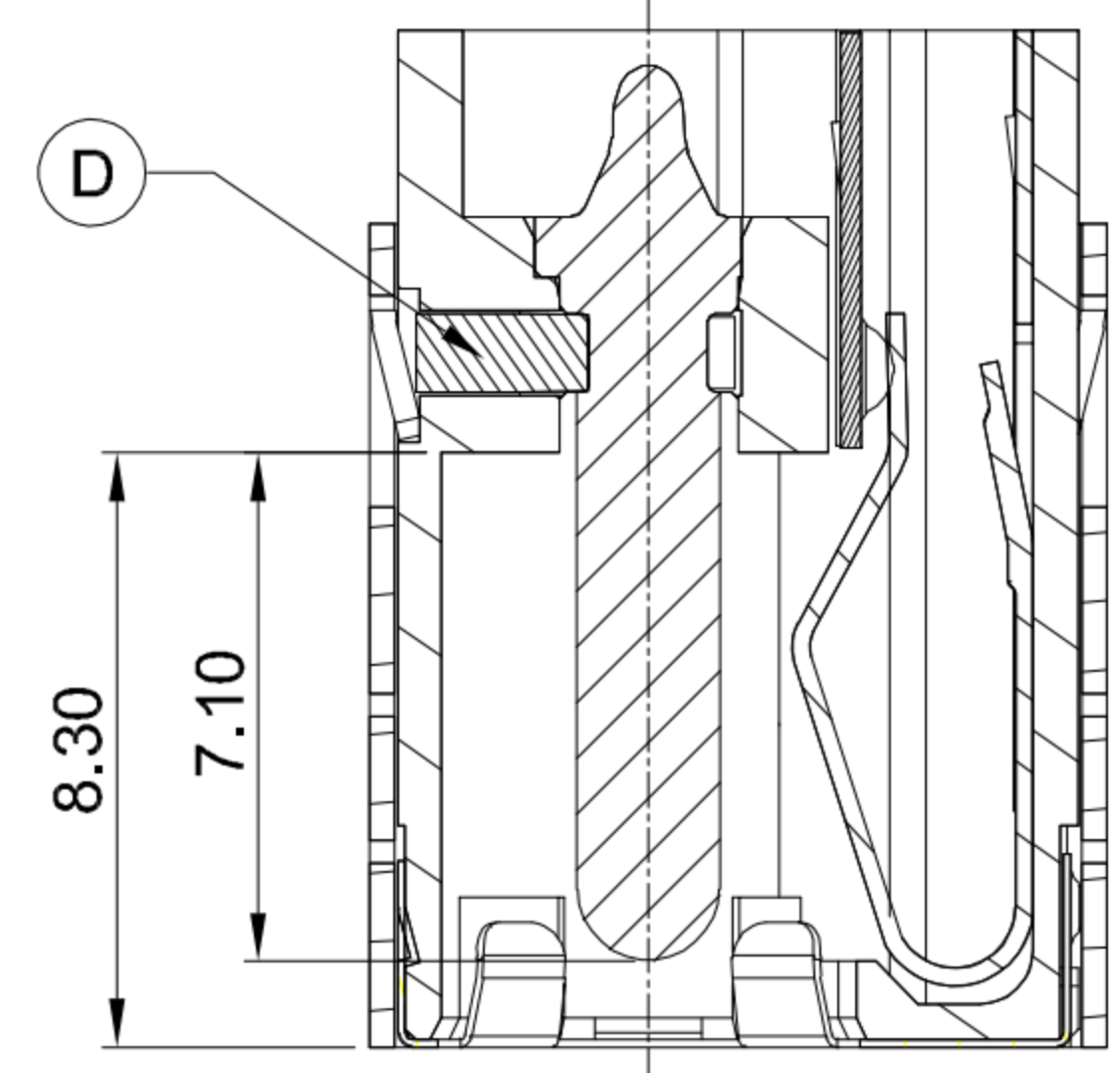
4

5

5



MATING PLUG Ø5.5xØ2.1mm



CIRCUIT DIAGRAM

- G-Switch Specification:**
1. Operating temperature range: -40°C ~ +85°C
 2. Rated load: 10A.20V DC
 3. Insulation resistance: 100MΩ min
 4. Withstand voltage: 500V AC/min
 5. Contact resistance: 30mΩ Max
 6. Durability cycle: 5,000 Cycles
 7. Insertion and extraction force: 3-30N

| NO. | DESCRIPTION | QTY | MATERIAL |
|-----|----------------|-----|--------------------------|
| G | GROUNDING | 1 | STAINLESS 0.1T |
| F | SHIELDING | 1 | BRASS 0.35T |
| E | PIN | 1 | BRASS |
| D | STOPPER | 1 | SUS430 0.30T |
| C | SHUNT TERMINAL | 1 | BRASS STRIP 0.3T |
| B | TIP SPRING | 1 | COPPER ALLOY 0.25T |
| A | BODY | 1 | HIGH TEMP. THFRMOPLASTIC |

RECOMMENDED PCB LAYOUT
TOLERANCE: ±0.05



SCALE: 1:1 UNIT: mm
SIZE: A4

Unless otherwise General tolerance:
X ±0.50
X.x ±0.30
X.xx ±0.20
X.xxx ±0.10
X.x° ±2°

Title: Horizontal DC Power Jack 5521
DIP Sink 2.9 CH=0.9 L=14.2 Ø2.0mm

Molde Code: DC-S019A-D020-10A

| DRAWN | CHECKED | APPROVED | DATE |
|-------|---------|----------|------------|
| Xia | Chen | Chen | 2023.02.01 |



REV: A0 SHEET: 1/1