

A

B

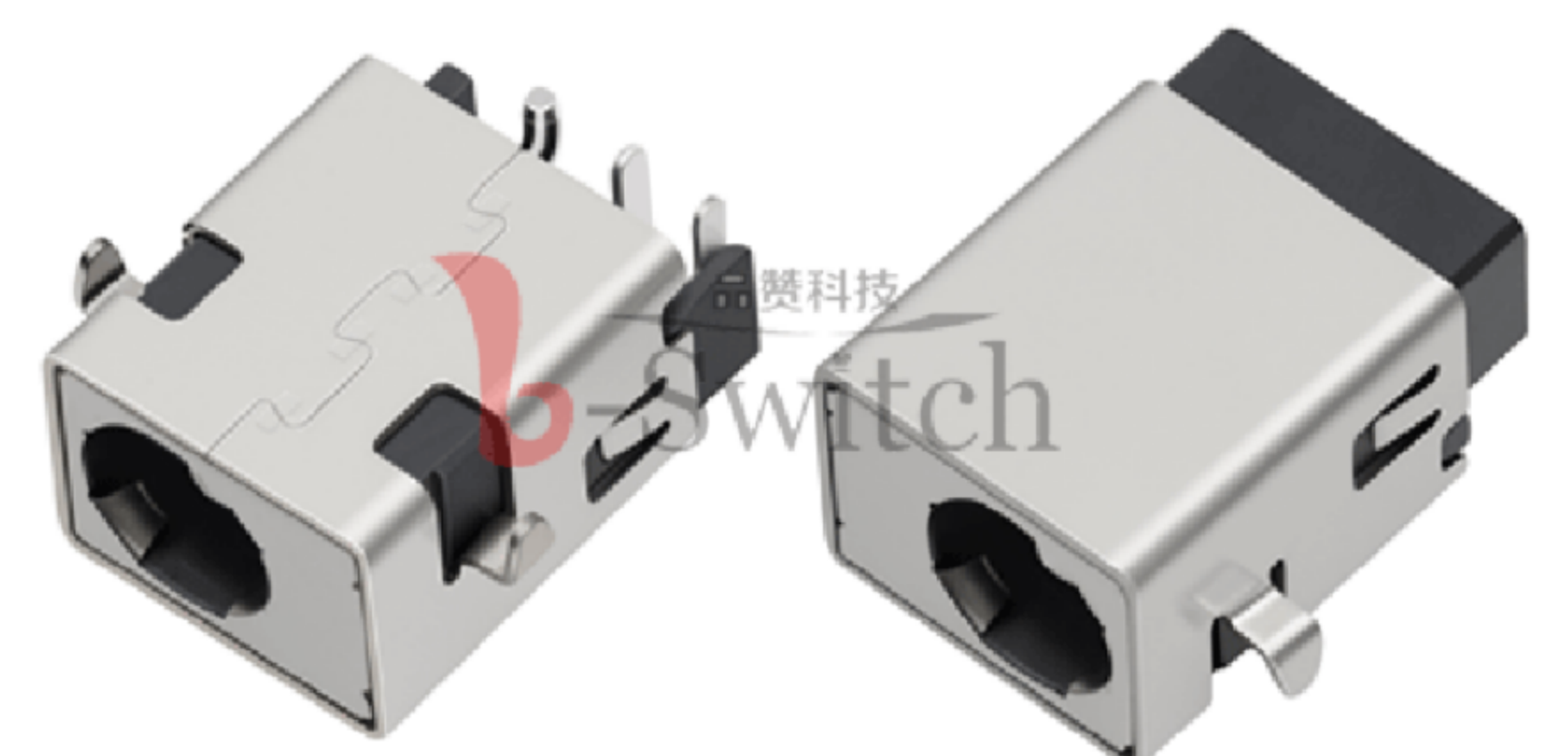
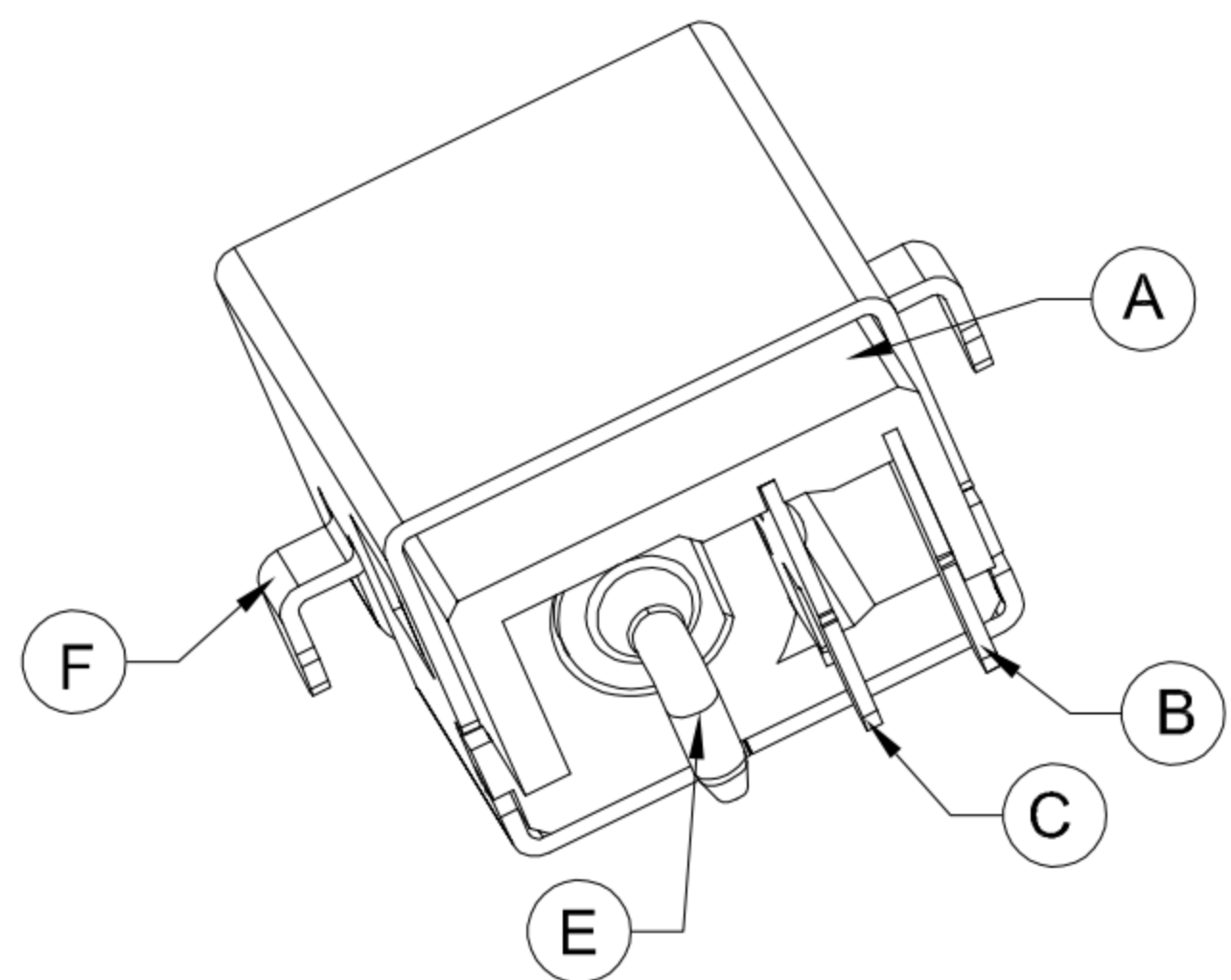
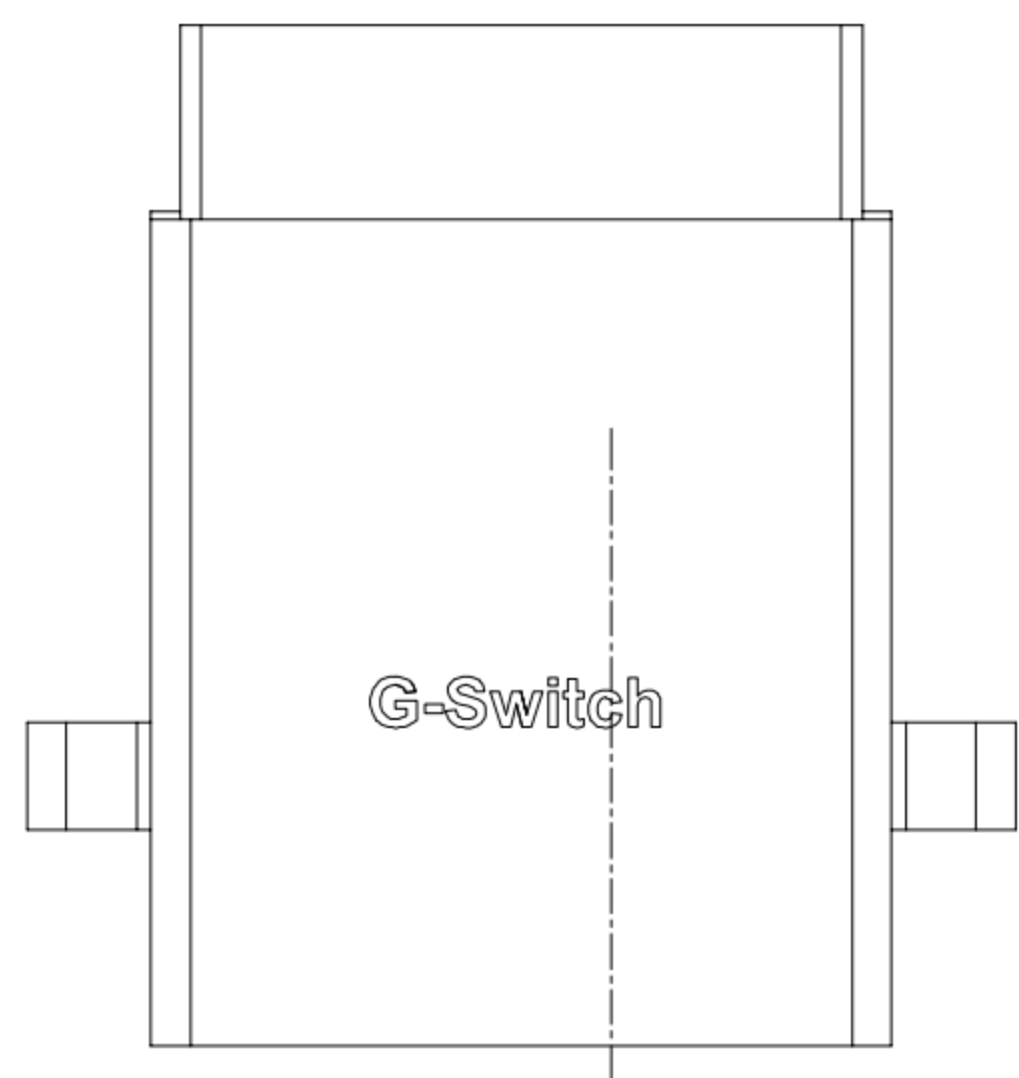
C

D

E

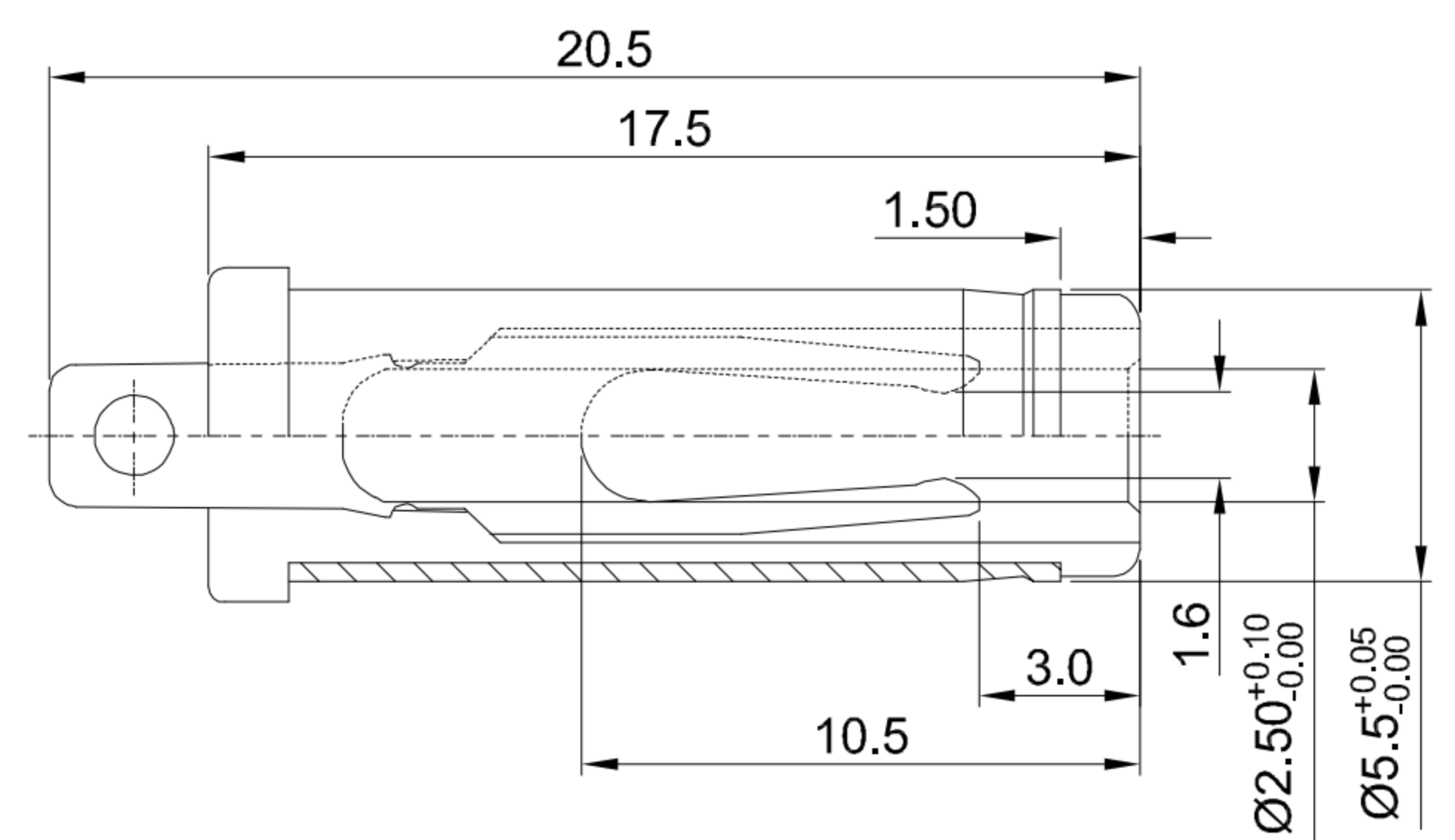
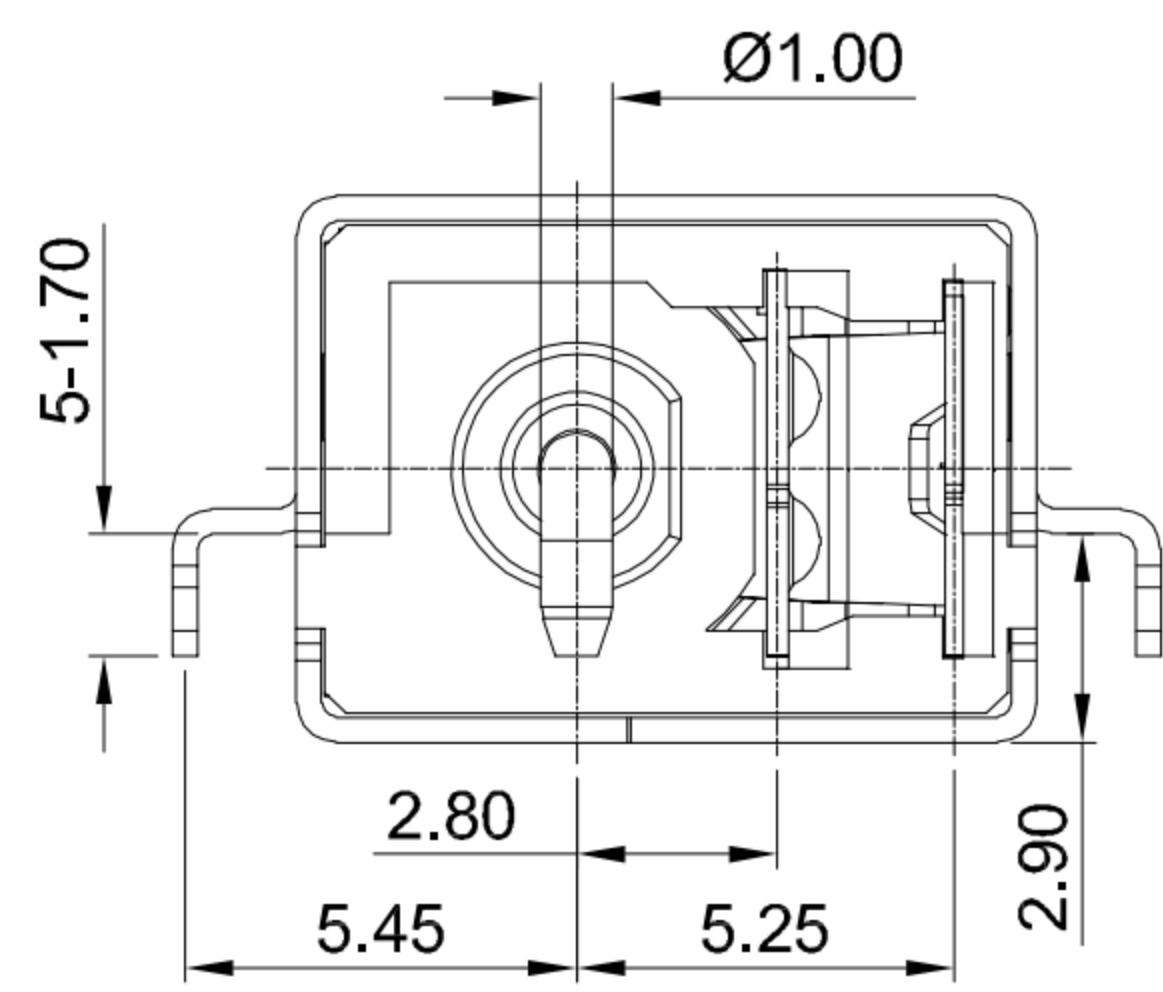
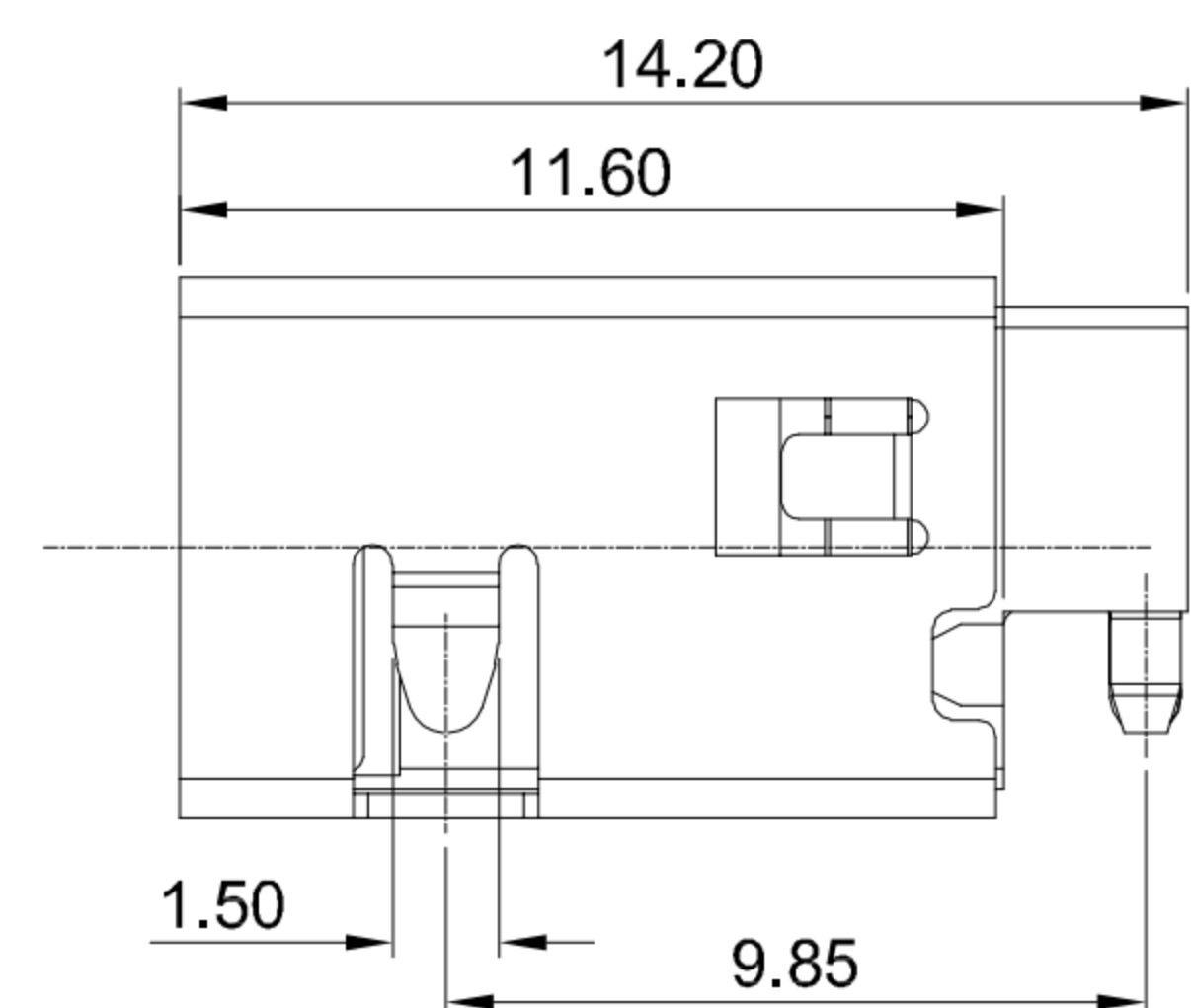
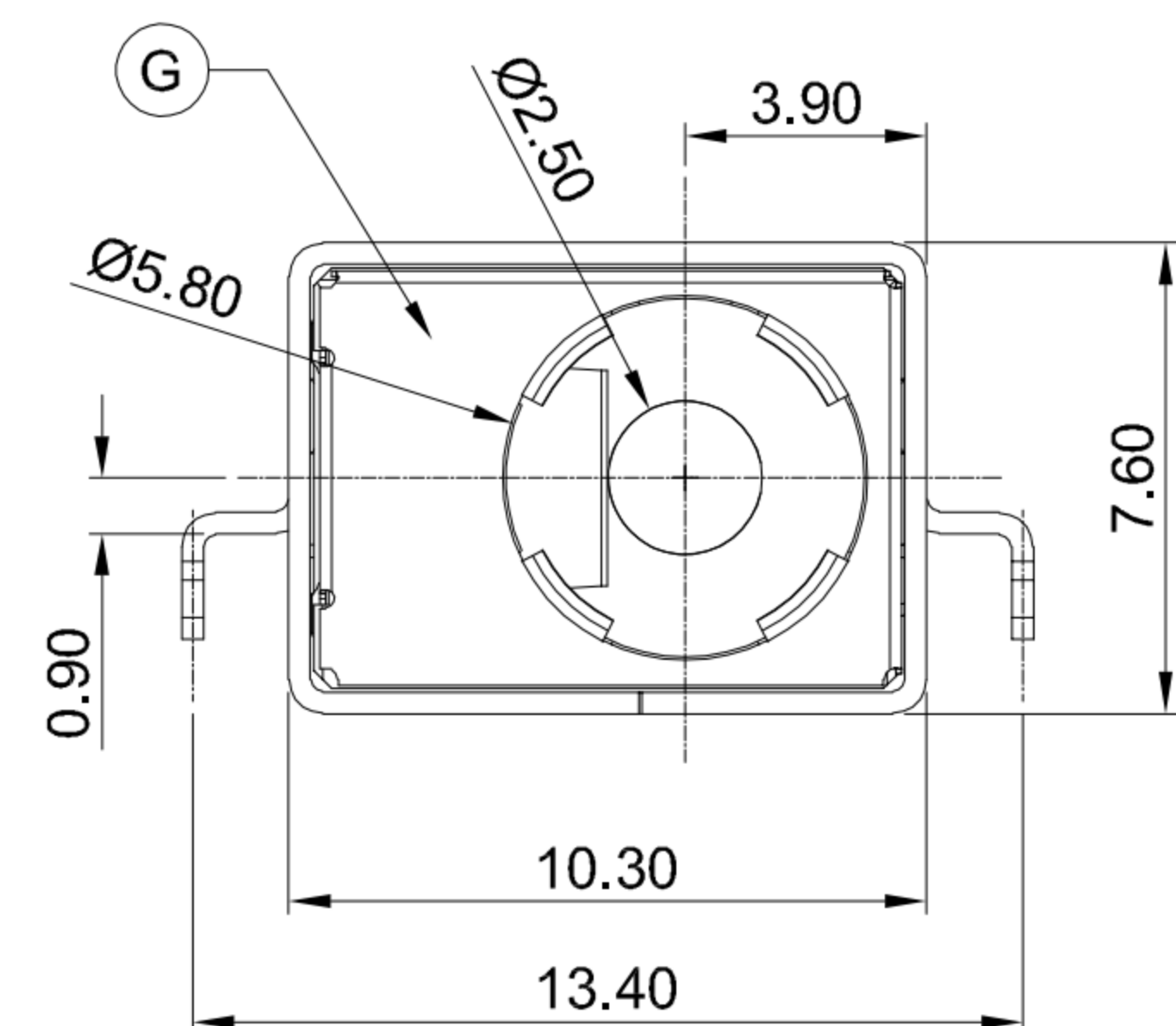
1

1



2

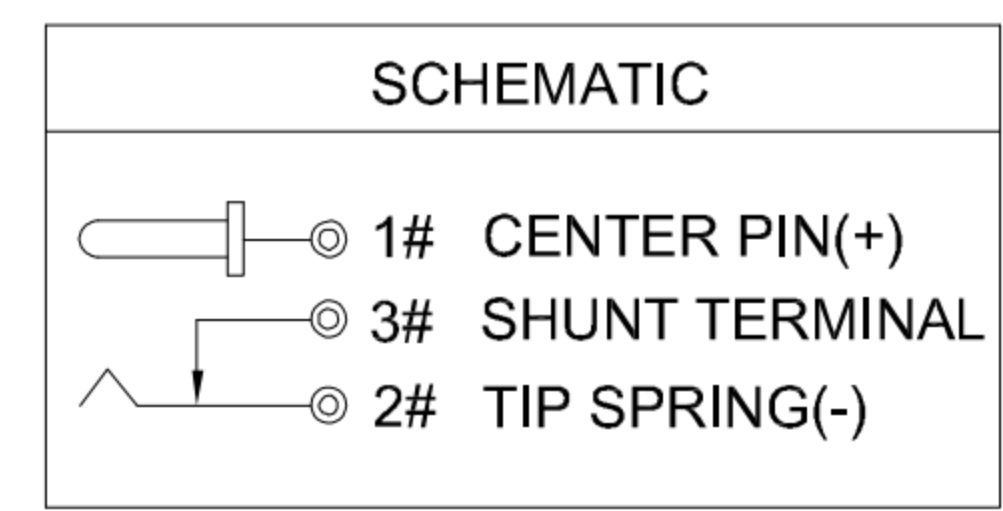
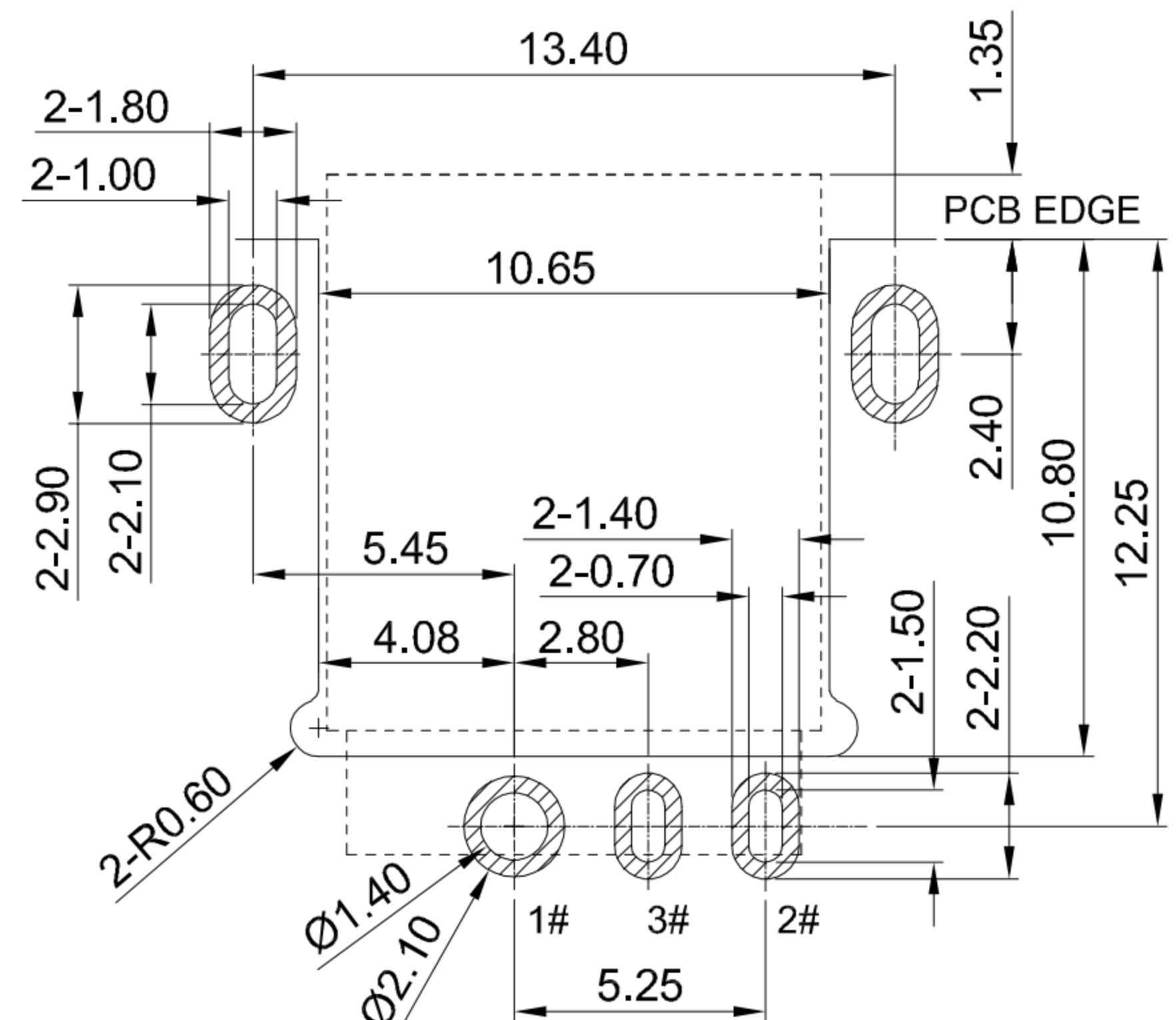
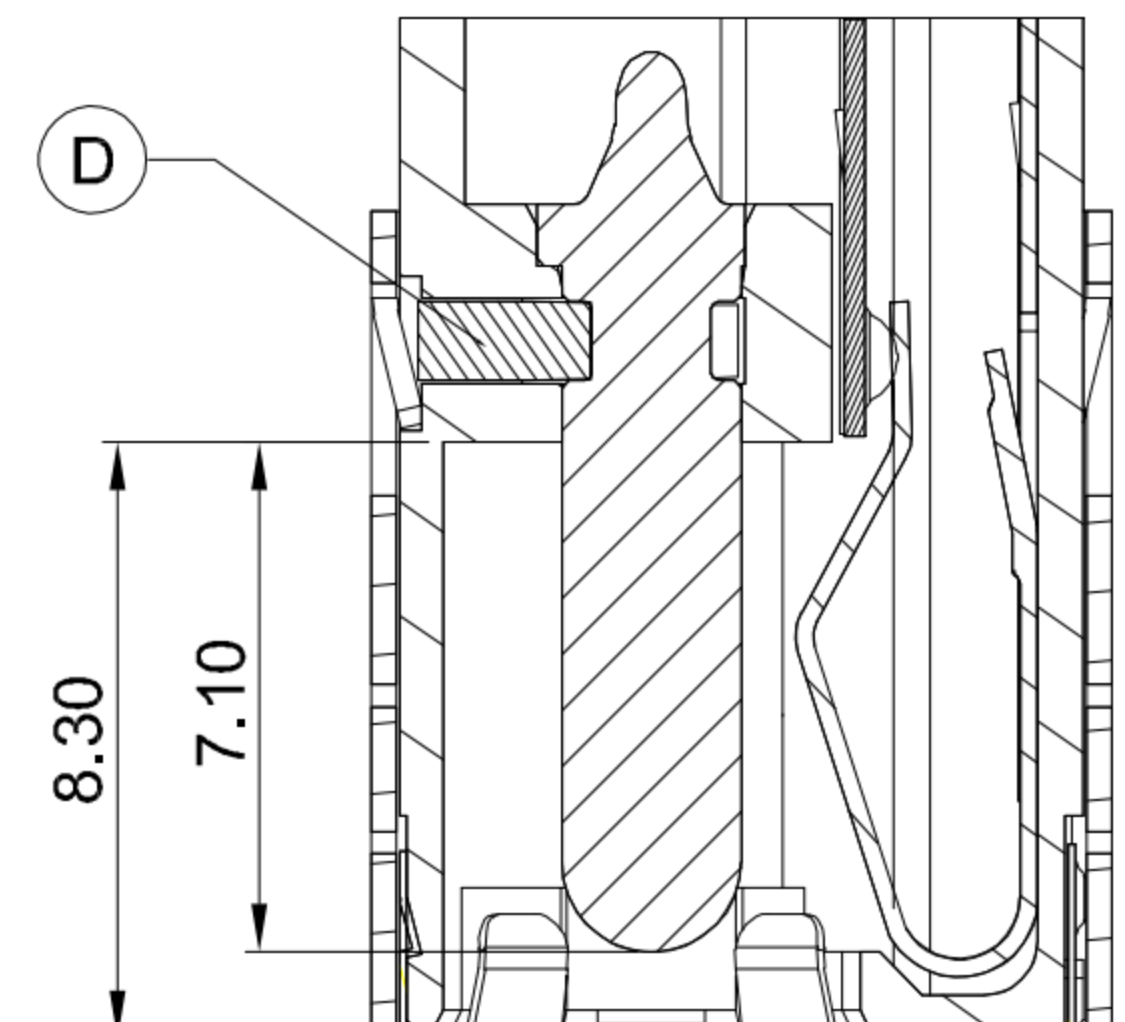
2



MATING PLUG $\text{Ø}5.5 \times 2.5 \text{mm}$

3

3



CIRCUIT DIAGRAM

- G-Switch Specification:**
1. Operating temperature range: $-40^{\circ}\text{C} \sim +85^{\circ}\text{C}$
 2. Rated load: 10A.20V DC
 3. Insulation resistance: 100M Ω min
 4. Withstand voltage: 500V AC/min
 5. Contact resistance: 30m Ω Max
 6. Durability cycle: 5,000 Cycles
 7. Insertion and extraction force: 3-30N

5

5

NO.	DESCRIPTION	QTY	MATERIAL
G	GROUNDING	1	STAINLESS 0.1T
F	SHIELDING	1	BRASS 0.35T
E	PIN	1	BRASS
D	STOPPER	1	SUS430 0.30T
C	SHUNT TERMINAL	1	BRASS STRIP 0.3T
B	TIP SPRING	1	COPPER ALLOY 0.25T
A	BODY	1	HIGH TEMP. THFRMOPLASTIC

RECOMMENDED PCB LAYOUT TOLERANCE: ± 0.05



SCALE: 1:1 UNIT: mm
SIZE: A4

Title: Horizontal DC Power Jack 5525
DIP Sink 2.9 CH=0.9 L=14.2 $\text{Ø}2.5 \text{mm}$

Molde Code: DC-S019A-D025-10A

DRAWN	CHECKED	APPROVED	DATE
Xia	Chen	Chen	2023.02.01



REV: A0 SHEET: 1/1

A

B

C

D

E