

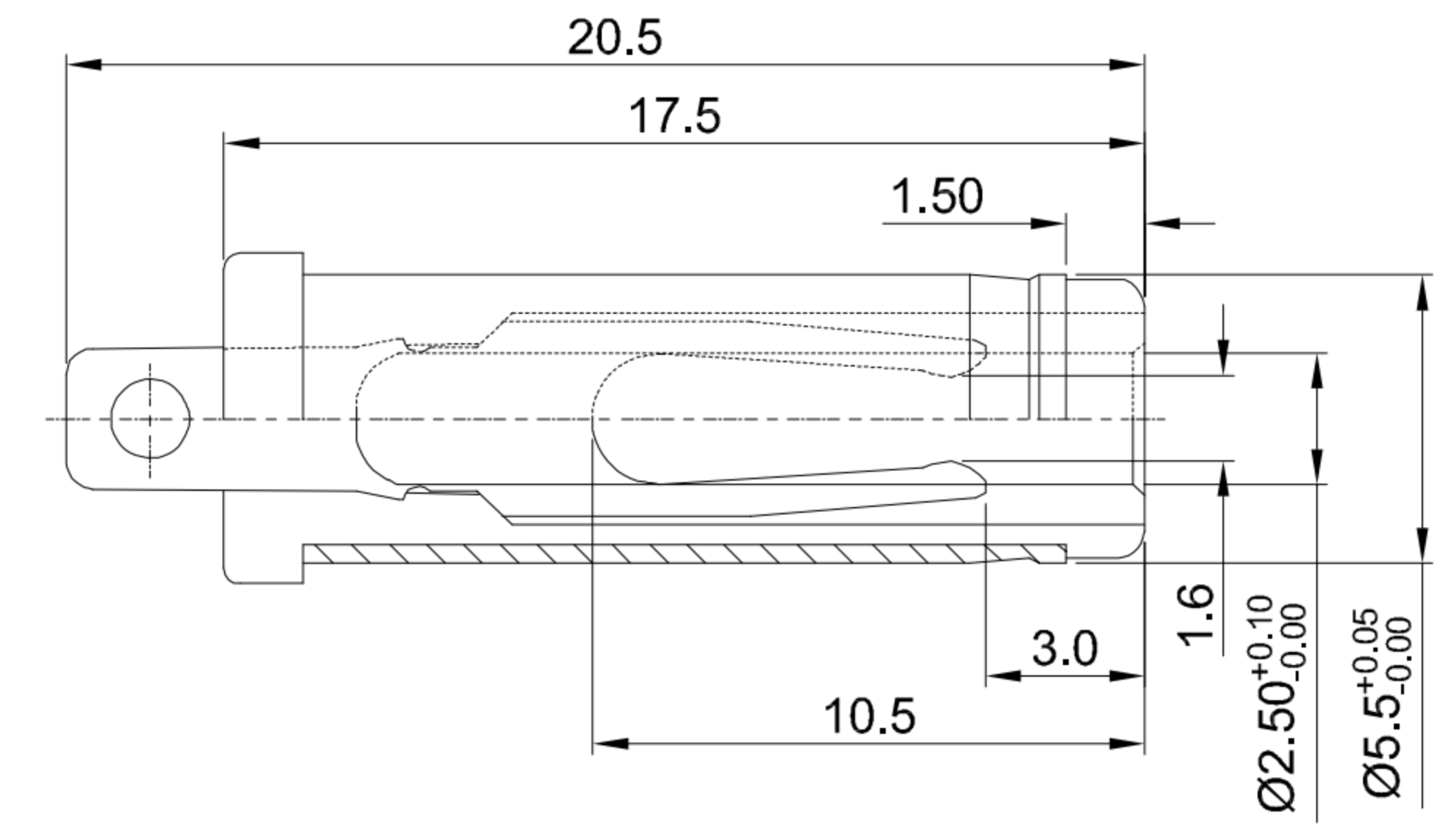
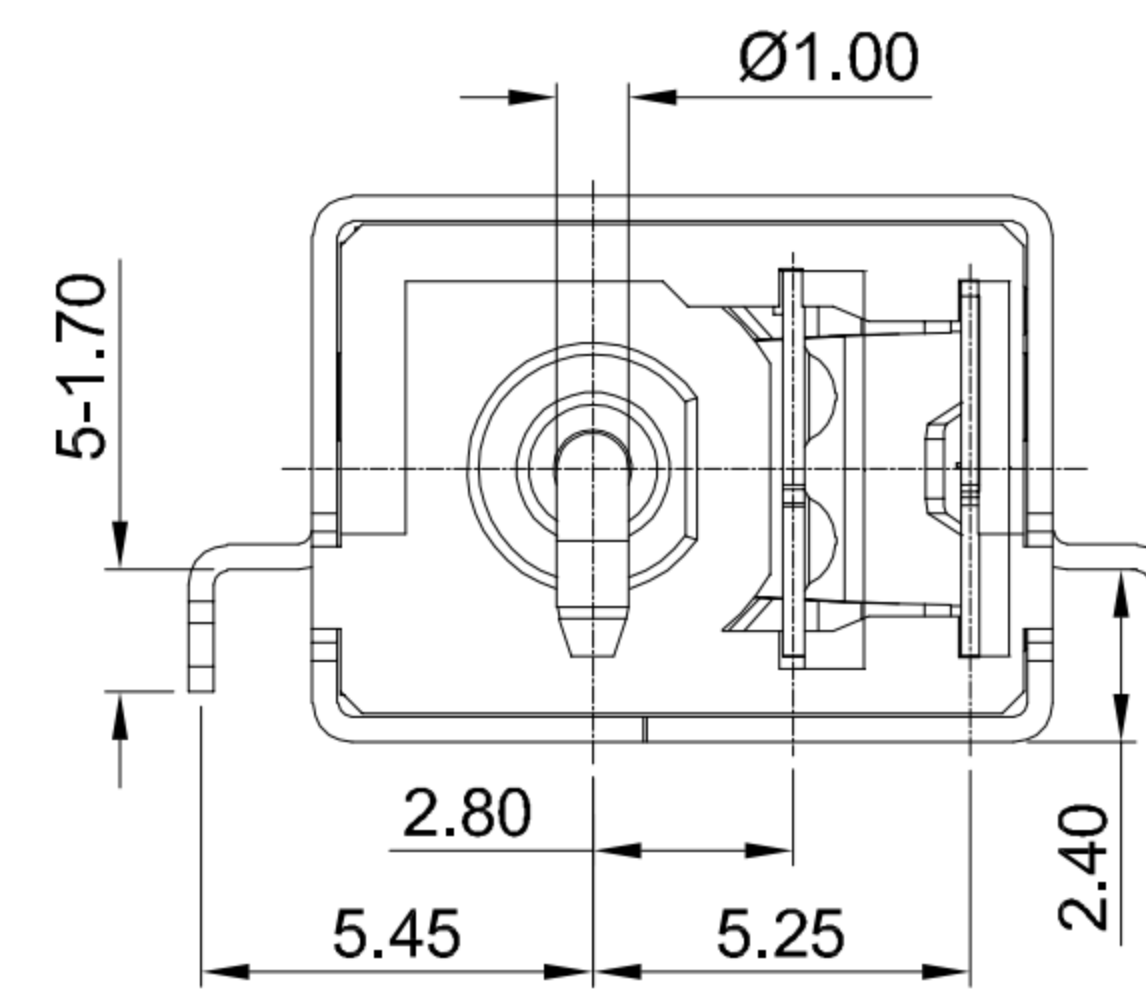
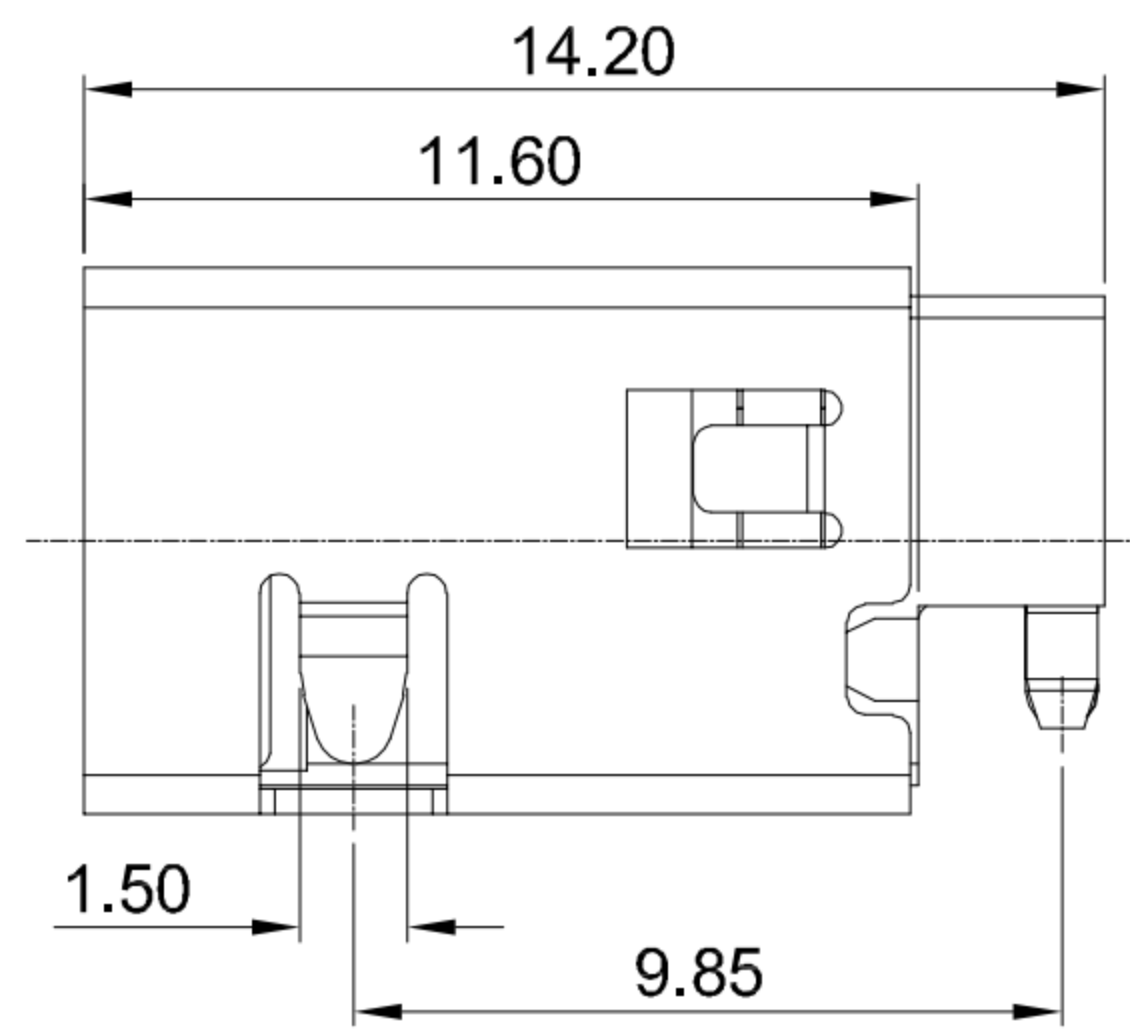
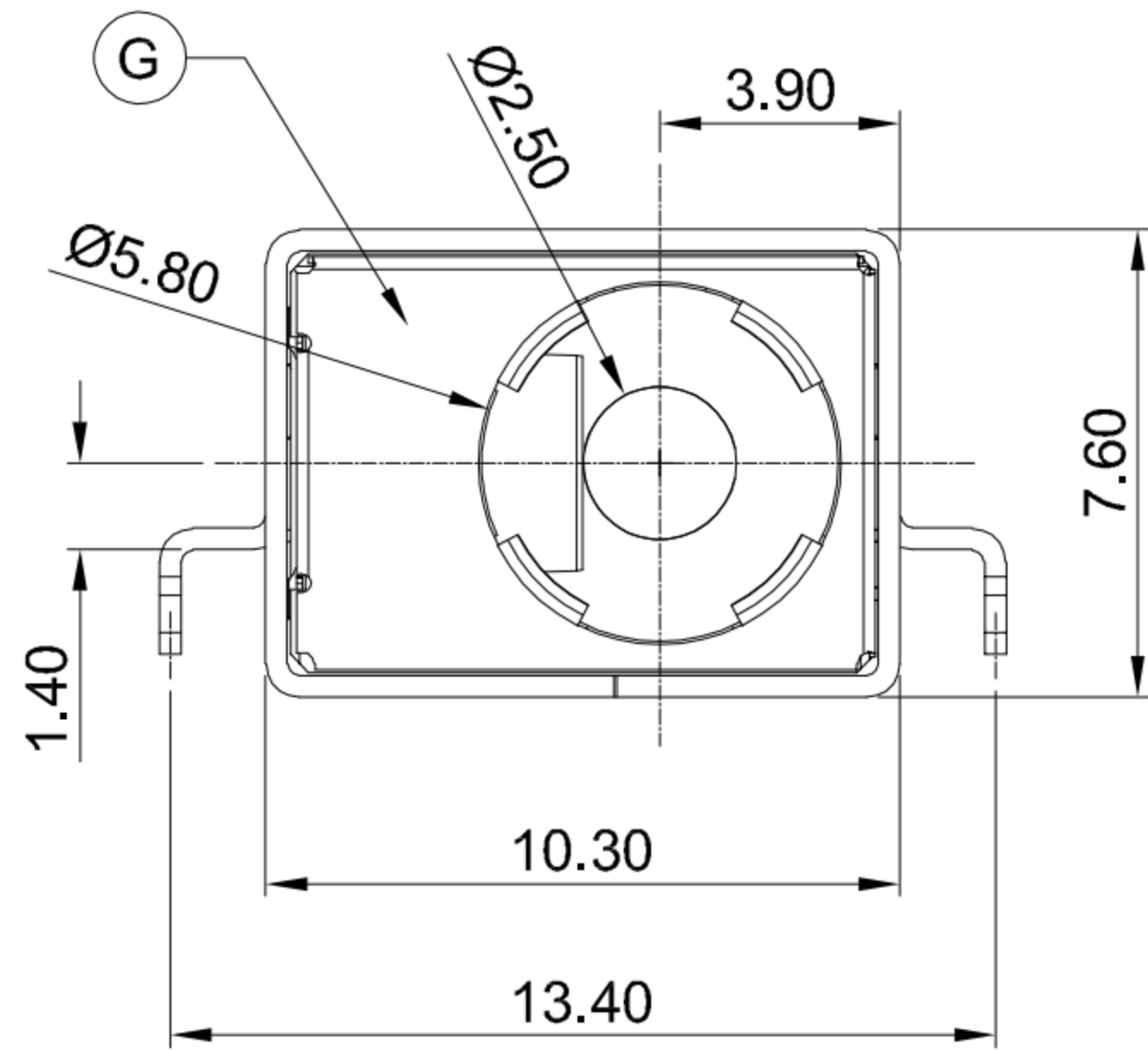
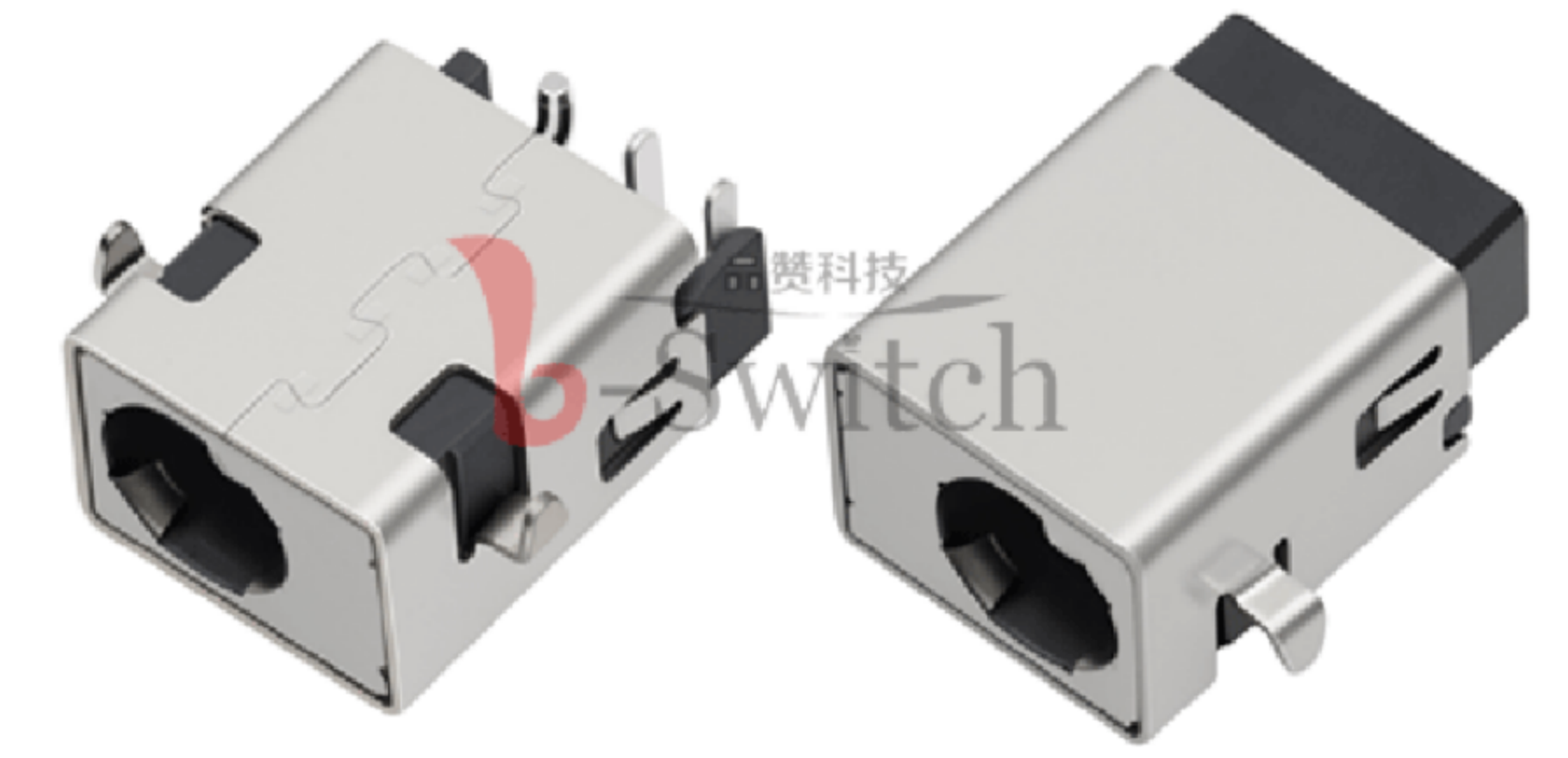
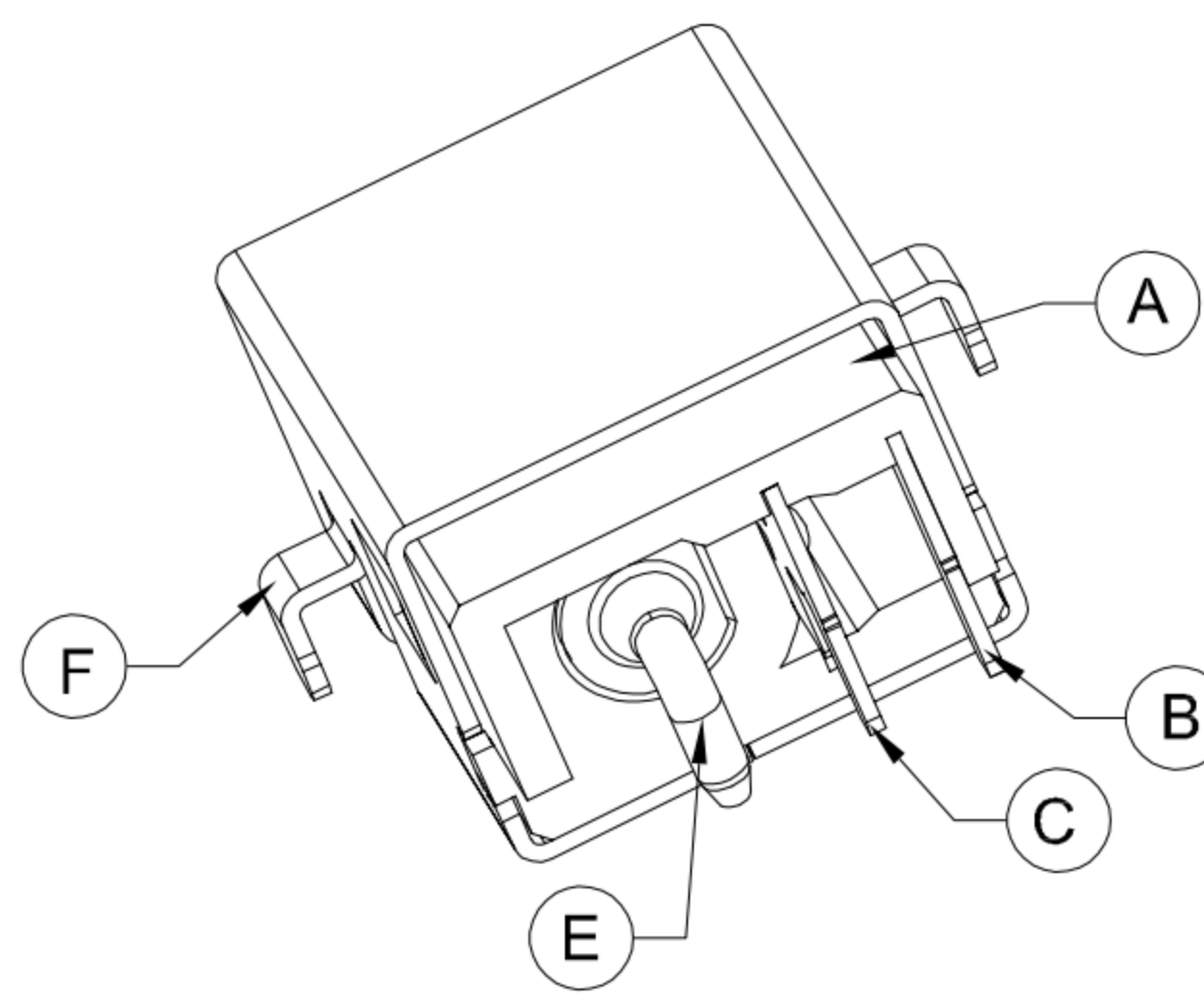
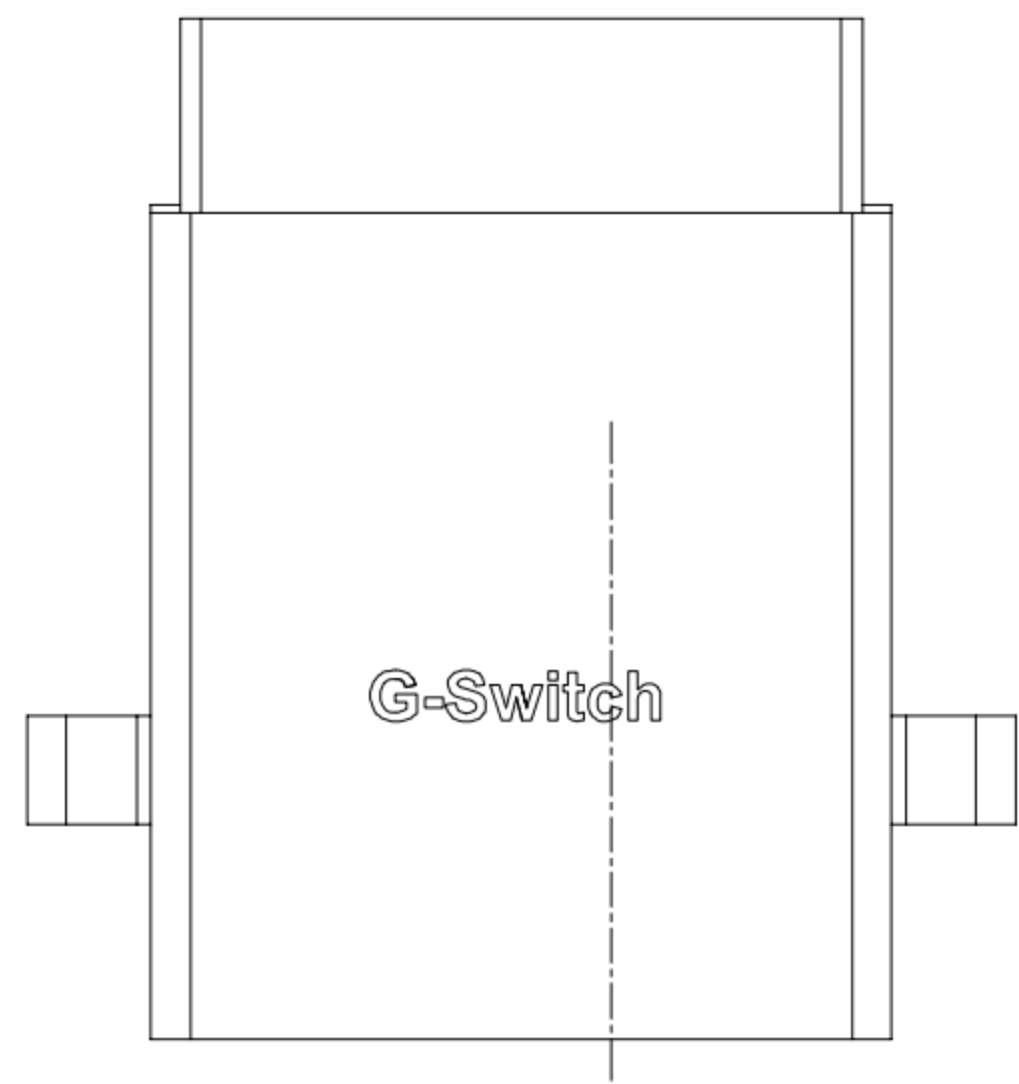
A

B

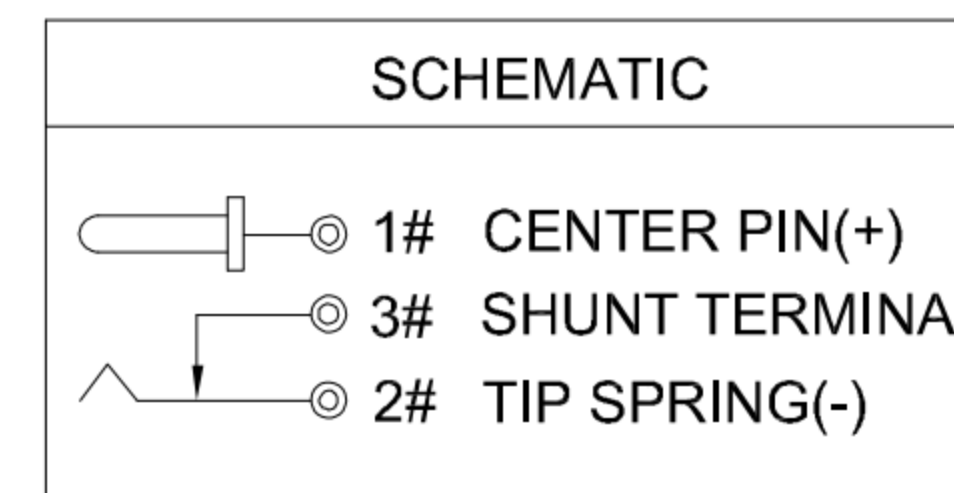
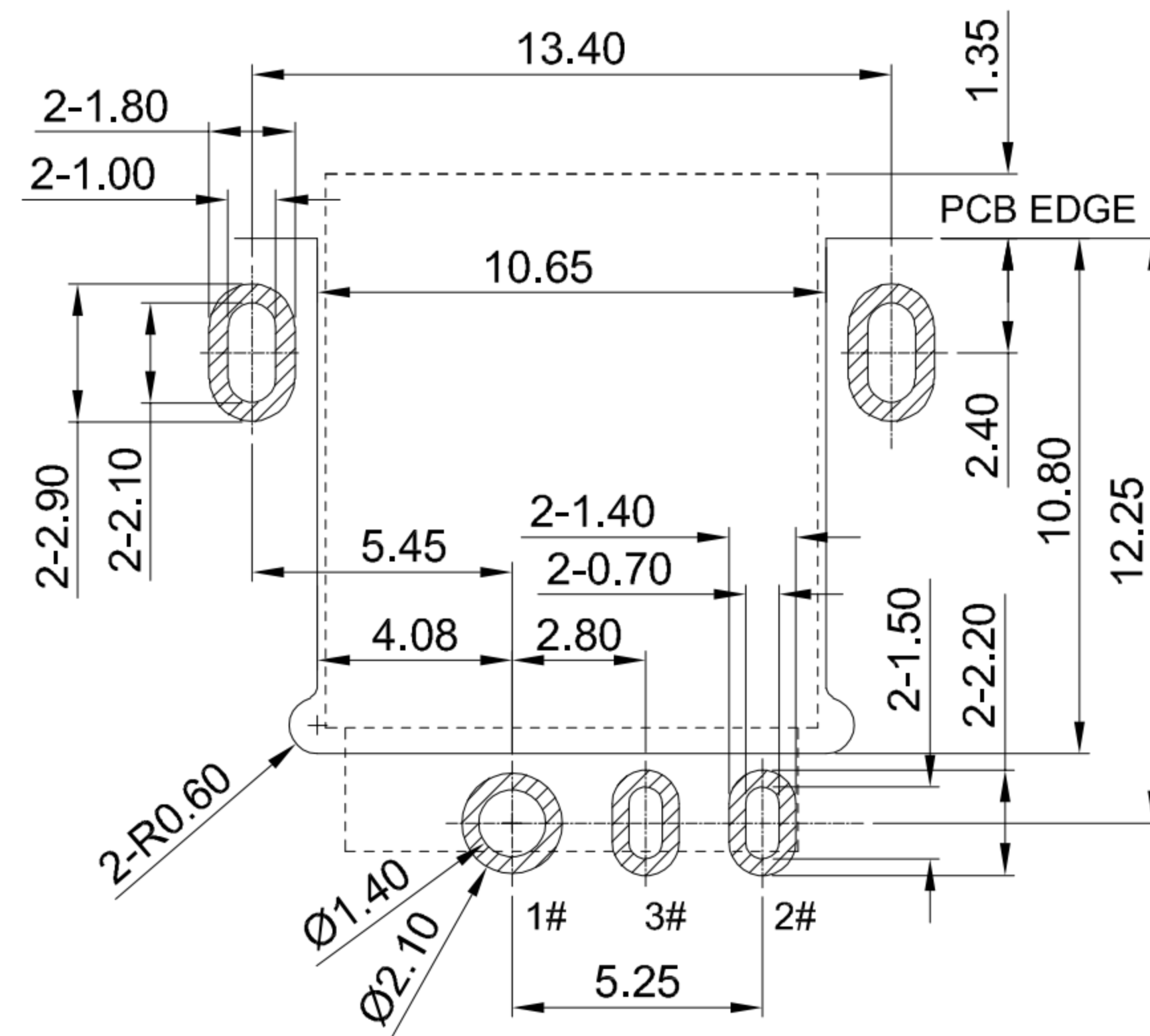
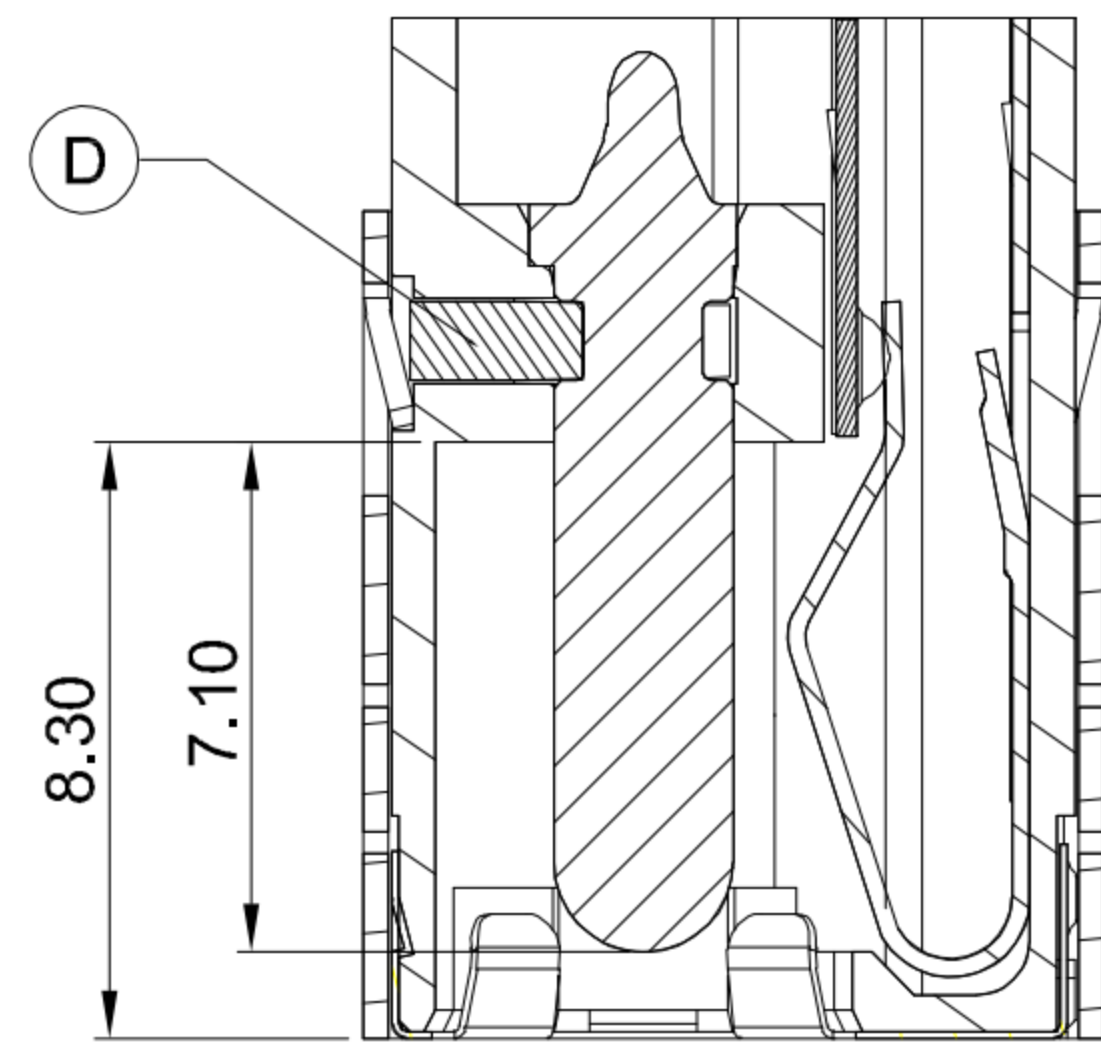
C

D

E



MATING PLUG Ø5.5xØ2.5mm



CIRCUIT DIAGRAM

- G-Switch Specification:**
1. Operating temperature range: -40°C ~ +85°C
 2. Rated load: 10A.20V DC
 3. Insulation resistance: 100MΩ min
 4. Withstand voltage: 500V AC/min
 5. Contact resistance: 30mΩ Max
 6. Durability cycle: 5,000 Cycles
 7. Insertion and extraction force: 3-30N

G	GROUNDING	1	STAINLESS 0.1T
F	SHIELDING	1	BRASS 0.35T
E	PIN	1	BRASS
D	STOPPER	1	SUS430 0.30T
C	SHUNT TERMINAL	1	BRASS STRIP 0.3T
B	TIP SPRING	1	COPPER ALLOY 0.25T
A	BODY	1	HIGH TEMP. THFRMOPLASTIC
NO.	DESCRIPTION	QTY	MATERIAL

RECOMMENDED PCB LAYOUT TOLERANCE:±0.05



SCALE: 1:1 UNIT: mm SIZE: A4

Unless otherwise General tolerance:

X	±0.50
X.x	±0.30
X.xx	±0.20
X.xxx	±10
X.x°	±2°

Title: Horizontal DC Power Jack 5525 DIP Sink 2.4 CH=1.4 L=14.2 Ø2.5mm

Molde Code: DC-S019B-D025-10A

DRAWN	CHECKED	APPROVED	DATE
Xia	Chen	Chen	2023.02.01



REV: A0 SHEET: 1/1

A

B

C

D

E

1

2

3

4

5

1

2

3

4

5