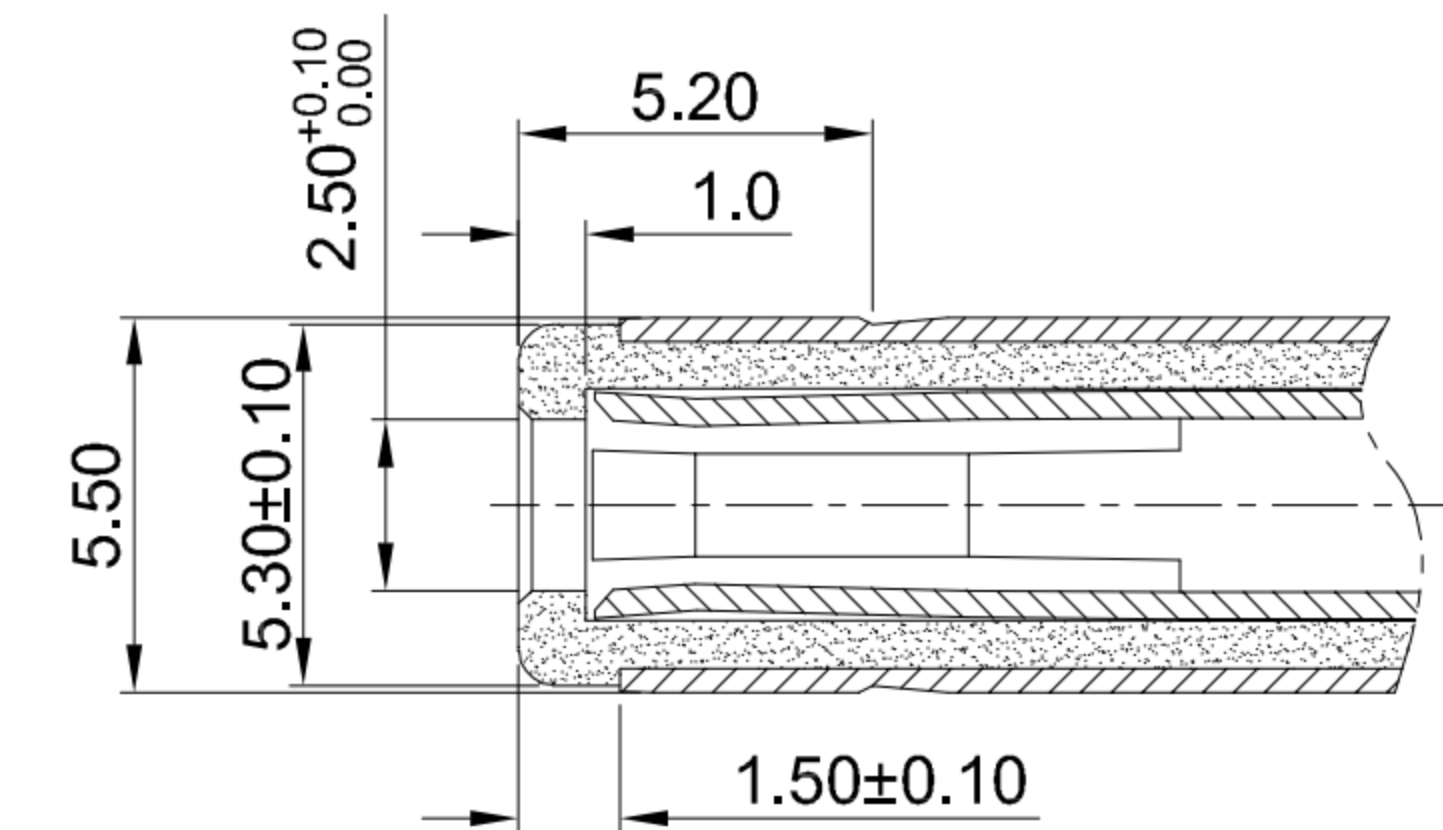
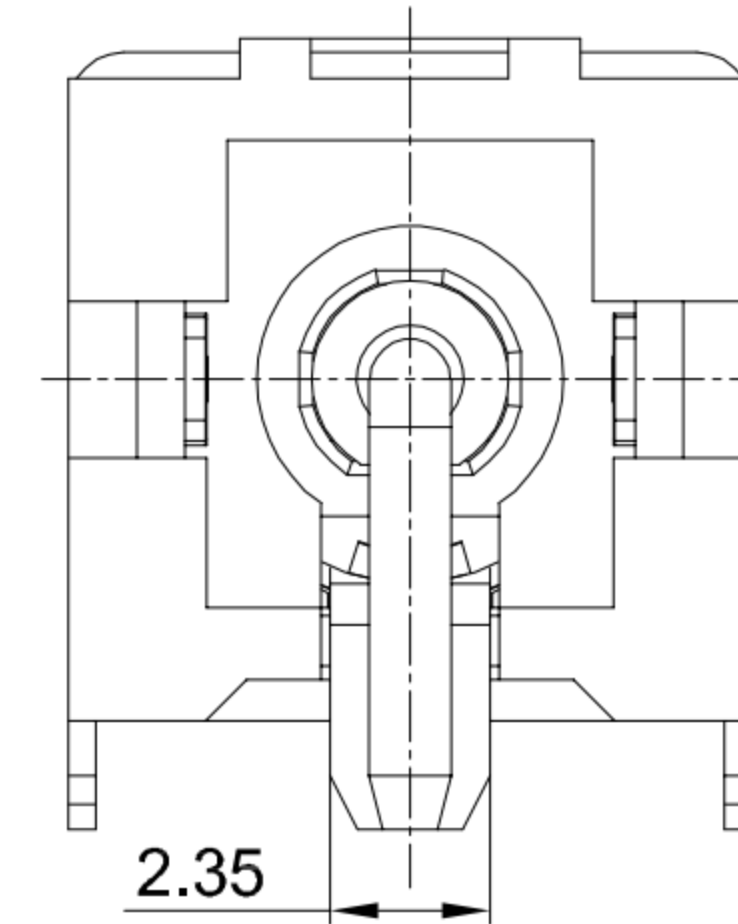
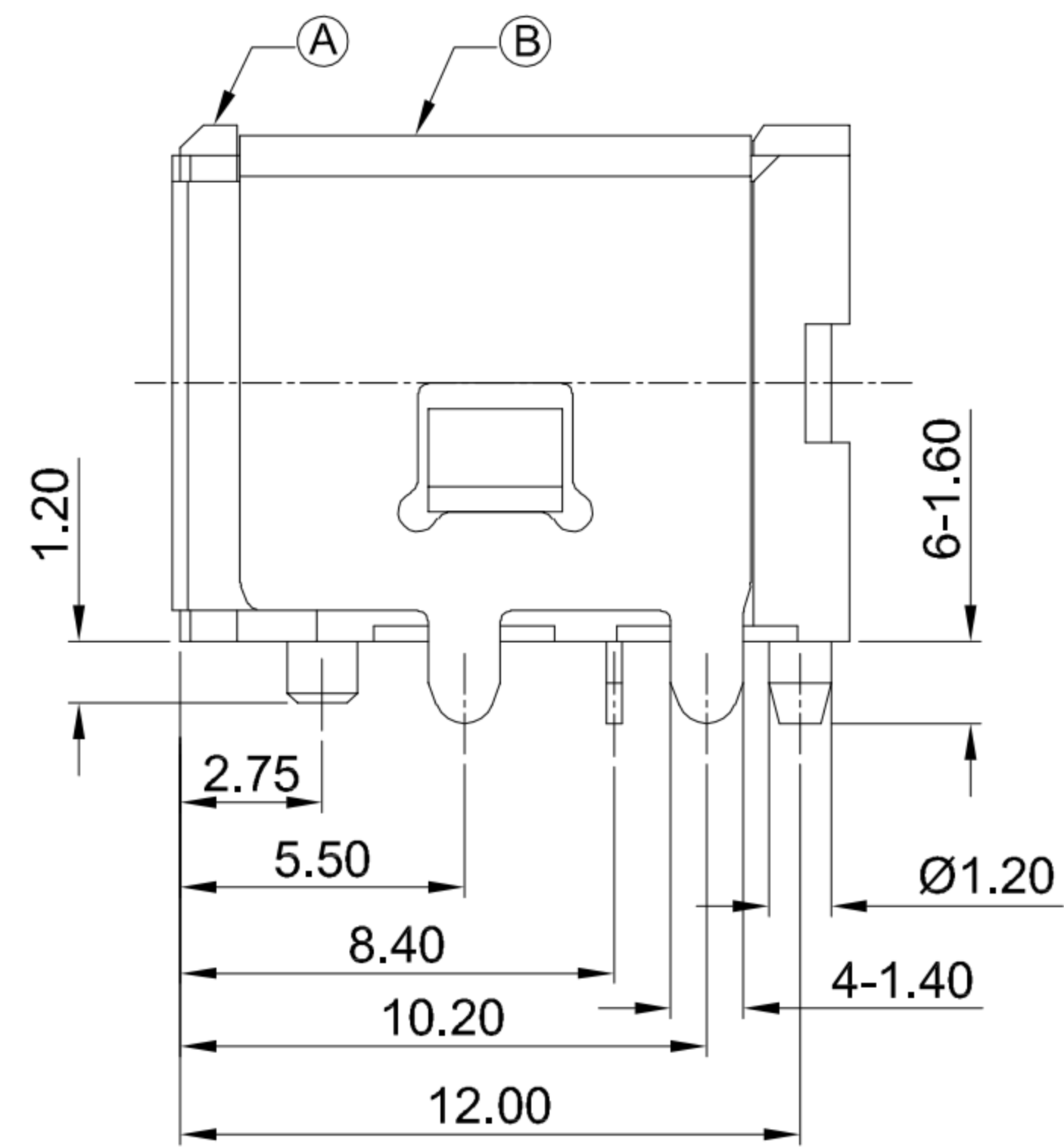
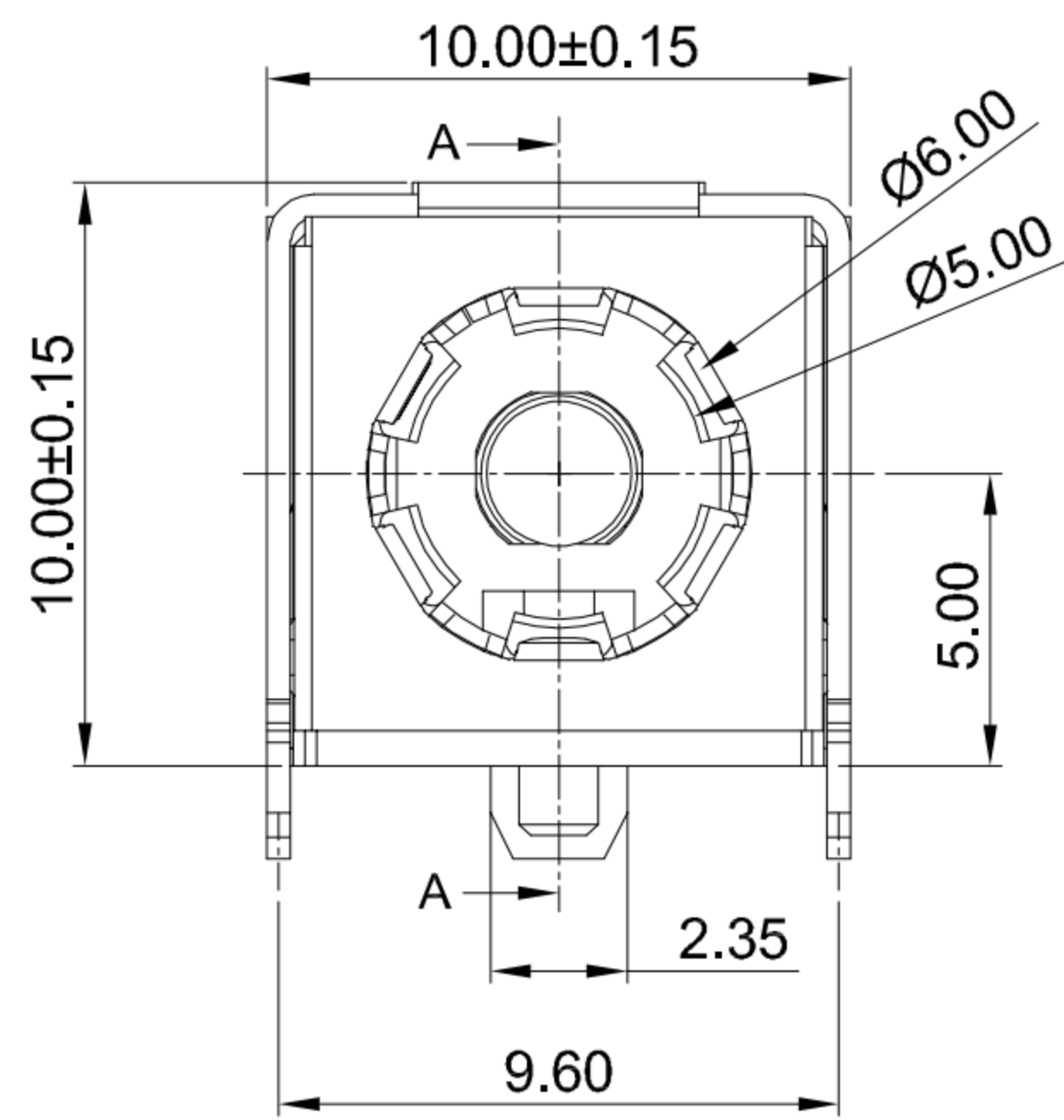
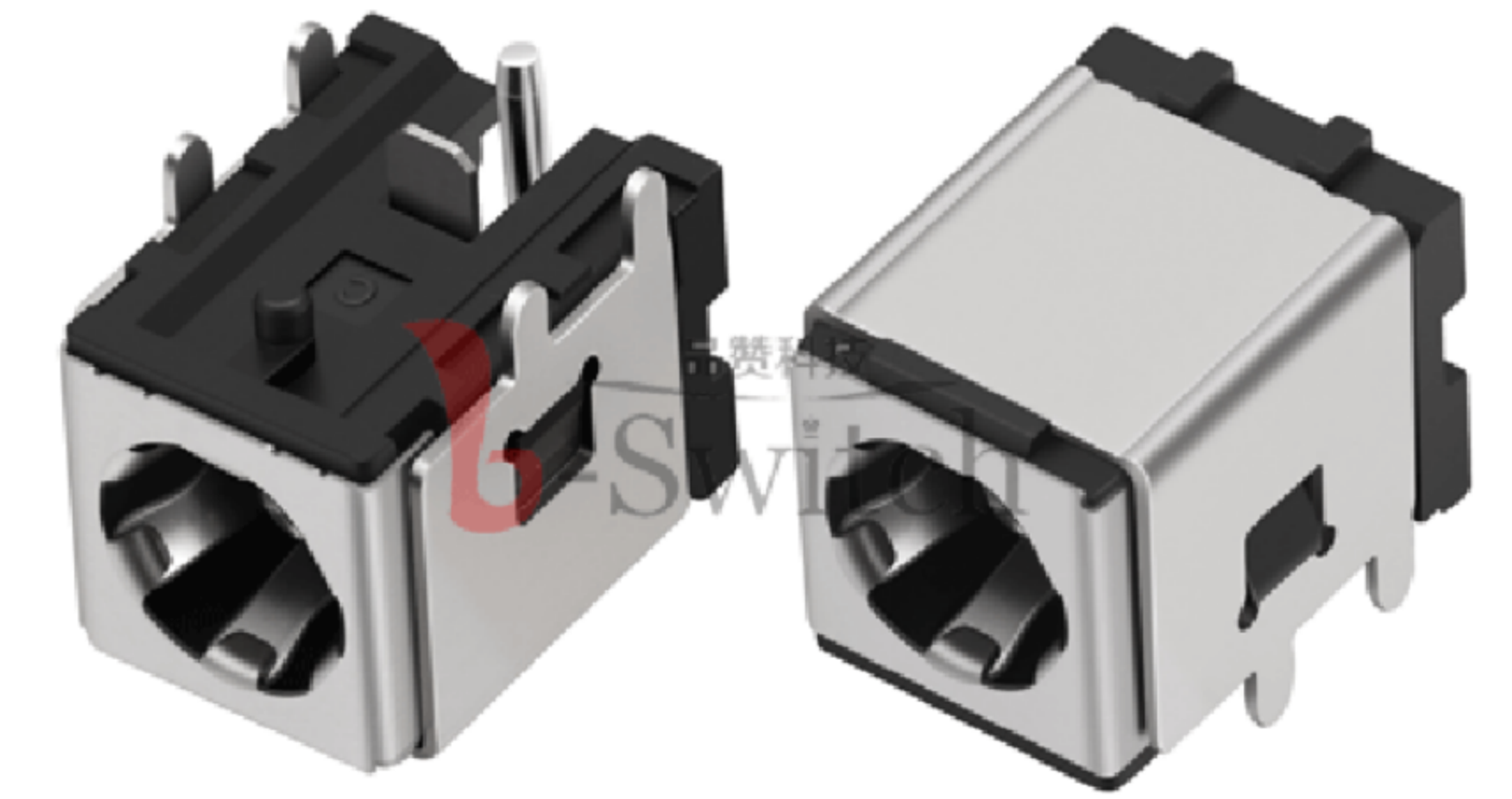
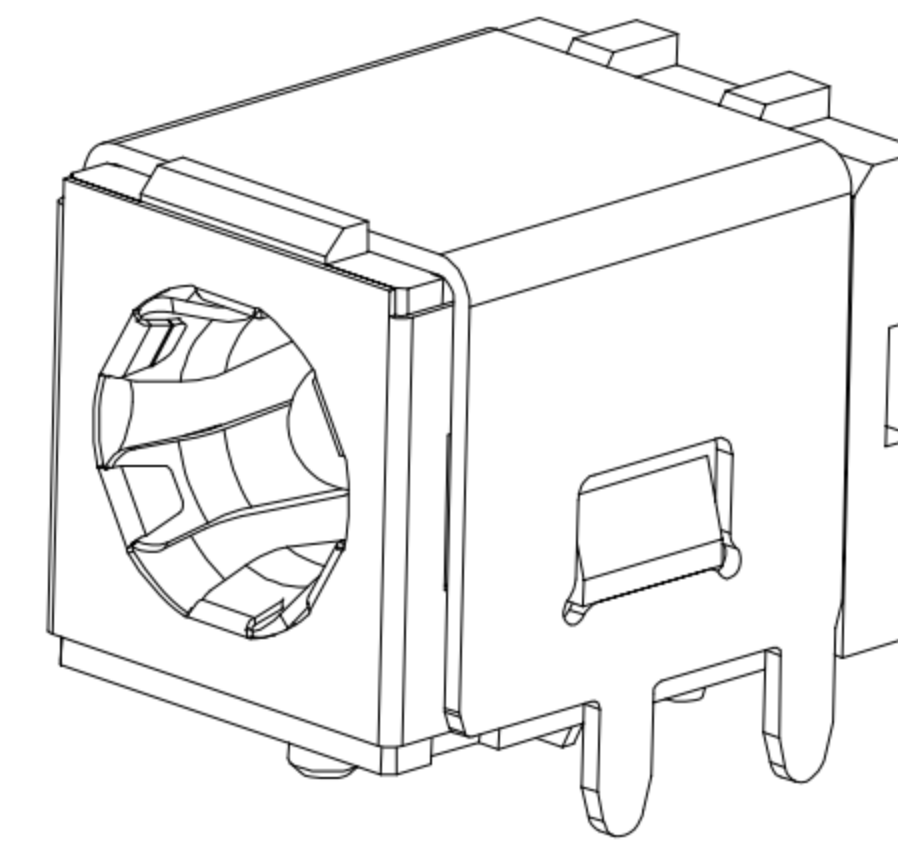
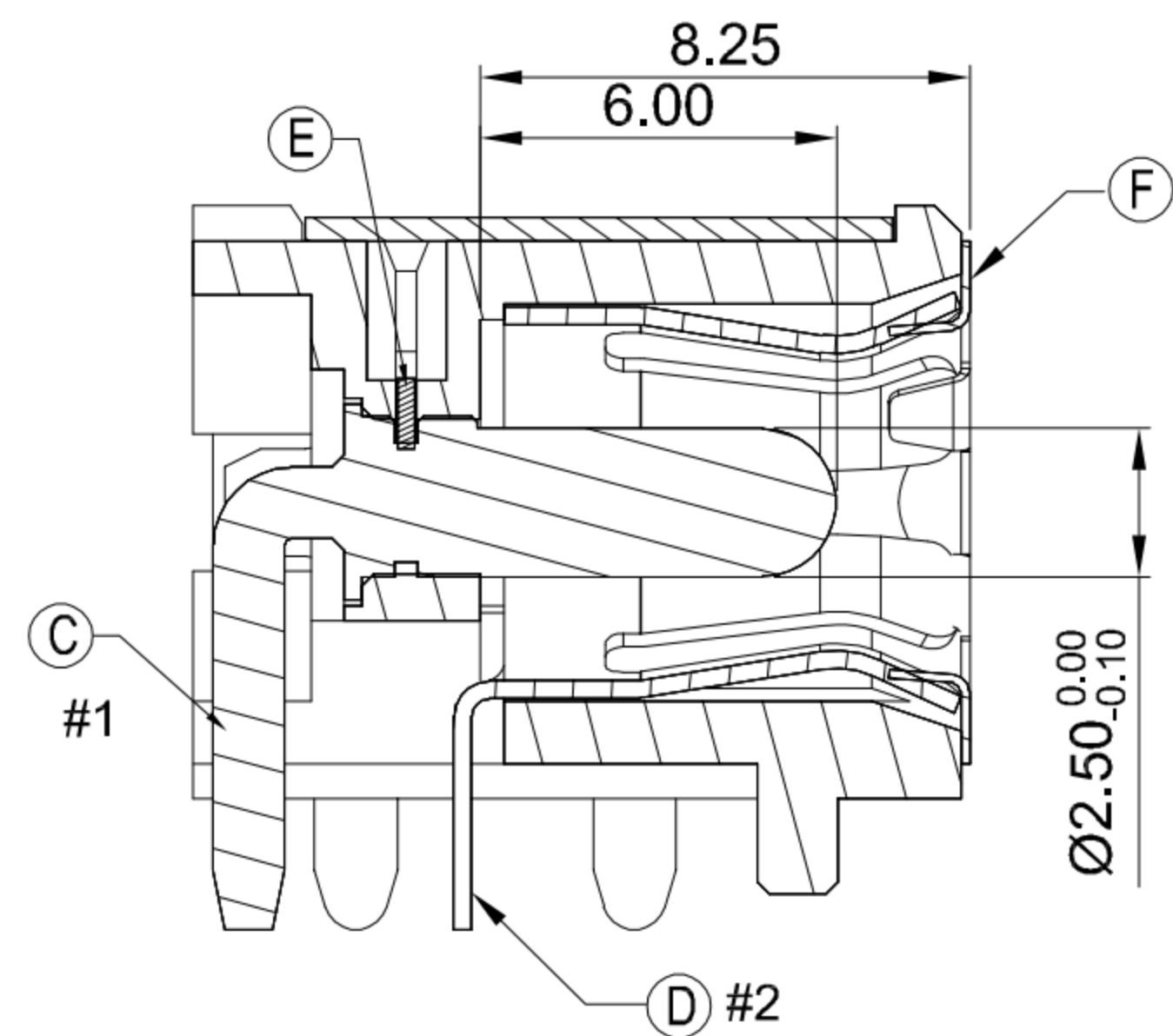
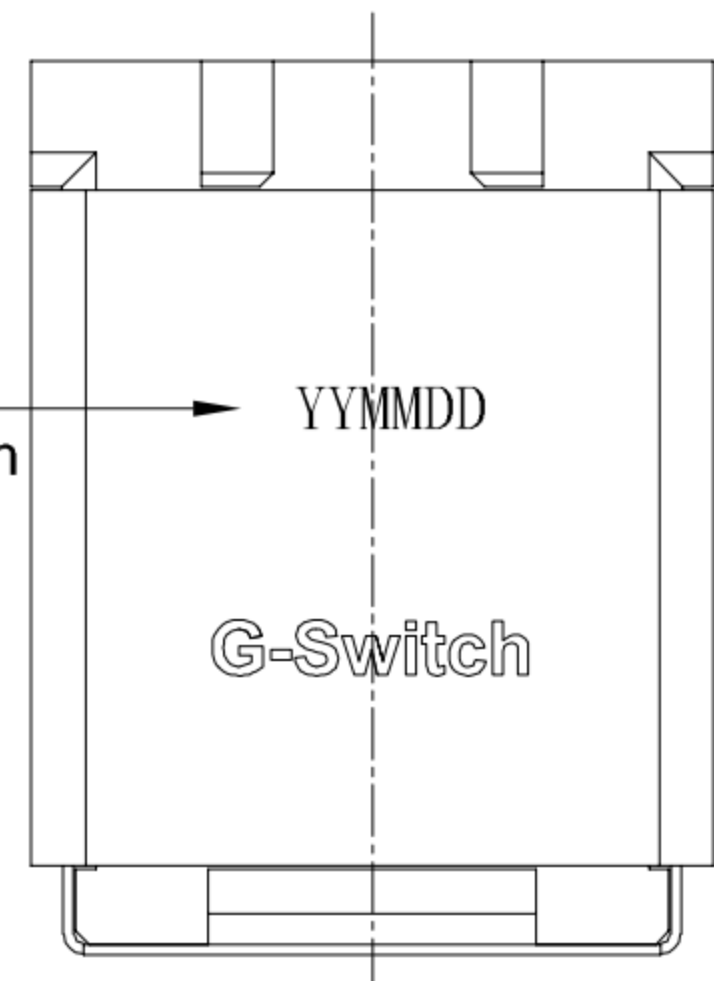
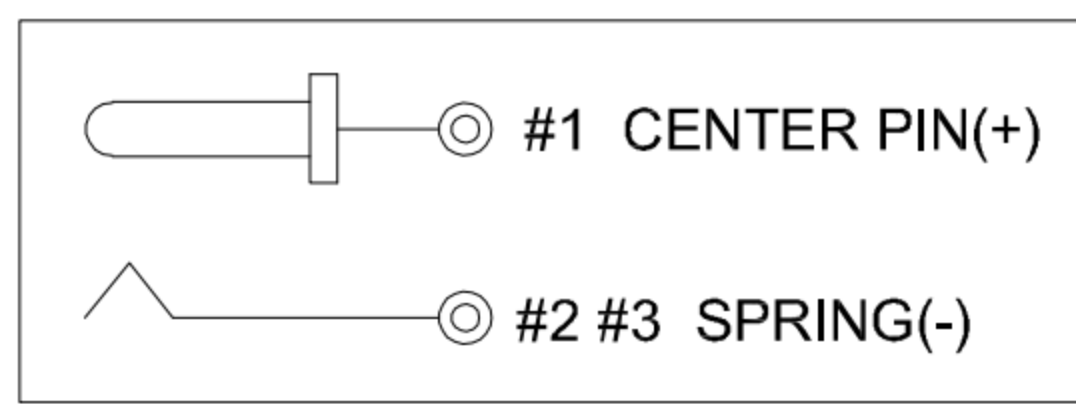
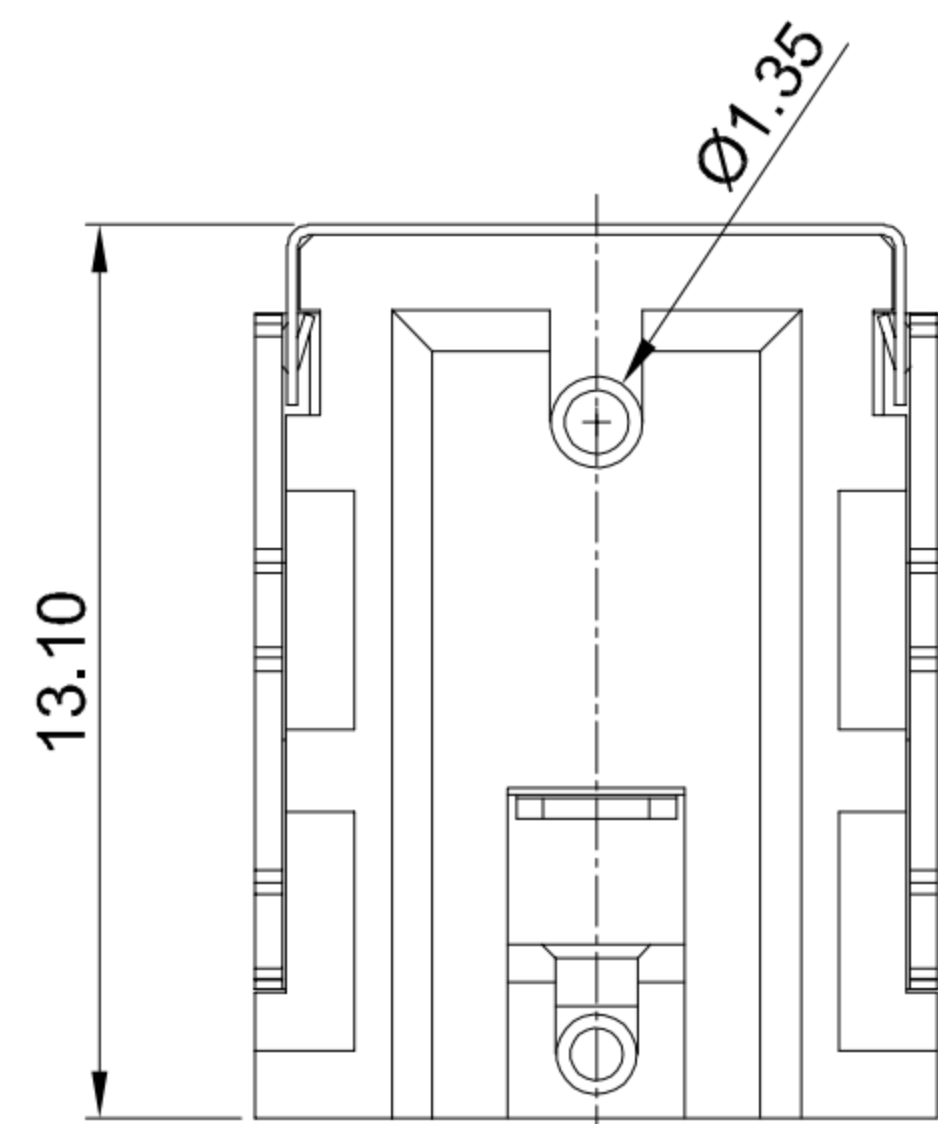


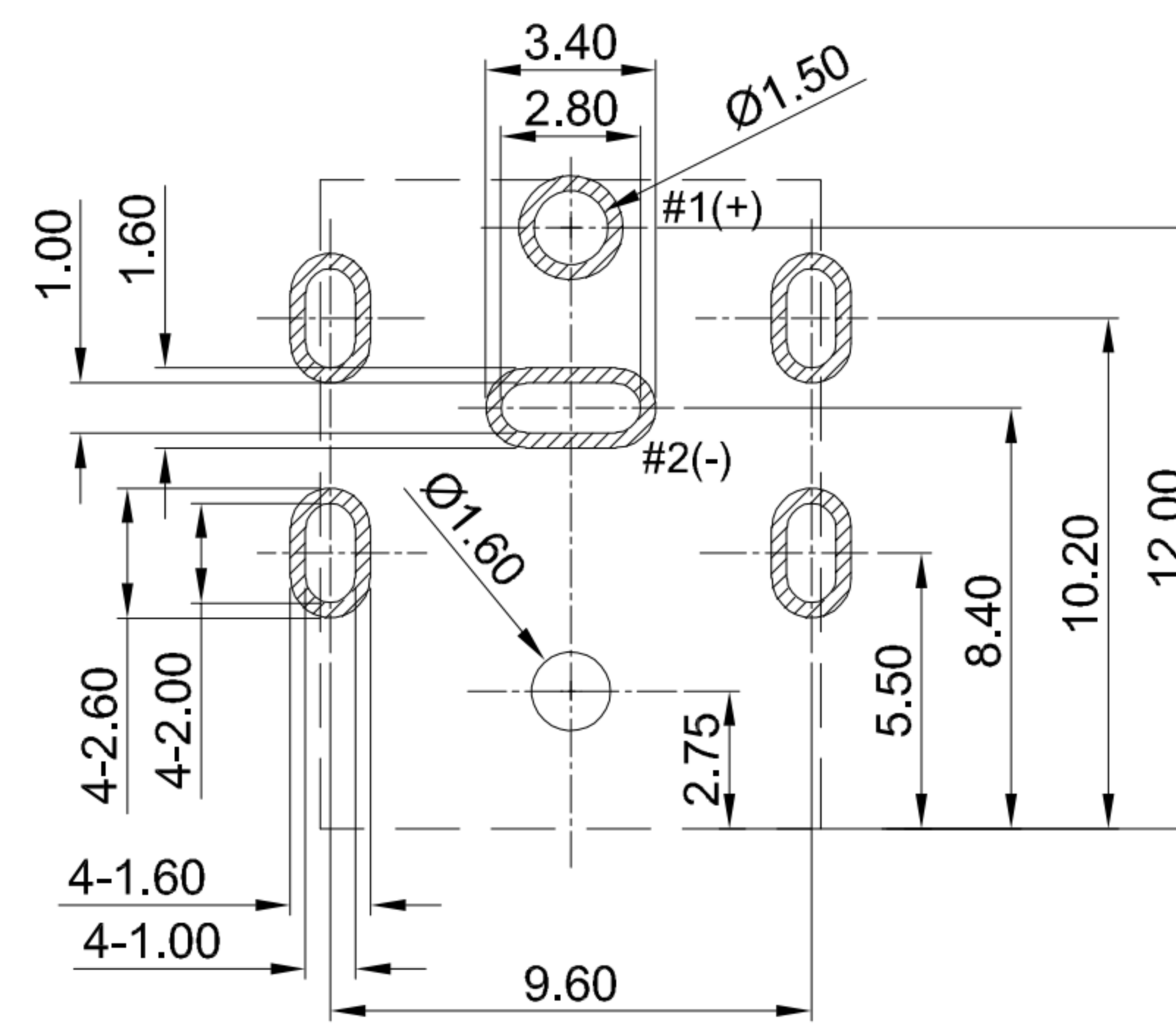
DATE CODE
Laser inscription



MATING PLUG Ø5.5xØ2.5mm



CIRCUIT DIAGRAM



RECOMMENDED PCB LAYOUT
TOLERANCE:±0.05

G-Switch Specification:

1. Operating temperature range: -40°C ~ +85°C
2. Rated load: 10A.20V DC
3. Insulation resistance: 100MΩ min
4. Withstand voltage: 500V AC/min
5. Contact resistance: 30mΩ max
6. Durability cycle: 5000 Cycles
7. Insertion and extraction force: 3-30N

F	COVER	SUS301 3/4H t=0.15	CLEAN
E	STOPPER	SUS430 t=0.30	CLEAN
D	TERMINAL SPRING	C5210-EH t=0.30	Ag20u"/Ni 50u"
C	CENTER PIN	H65	Ag20u"/Ni 50u"
B	SHELL	SUS304 1/2H t=0.40	Ni 50u"
A	HOUSING	PA9T UL94V-0	BLACK
NO.	PART NAME	MATERIAL	REMARK



SCALE: 1:1 UNIT: mm
SIZE: A4

Unless otherwise
General tolerance:
X ±0.50
X.x ±0.30
X.xx ±0.20
X.xxx ±0.10
X.x° ±2°

Title: Horizontal DC Power Jack 5525
DIP CH=5.0 L=13.1 Ø2.5mm

Molde Code: DC-S018A-D025-10A

DRAWN	CHECKED	APPROVED	DATE
Xia	Chen	Chen	2023.02.01



REV: A0 SHEET: 1/1