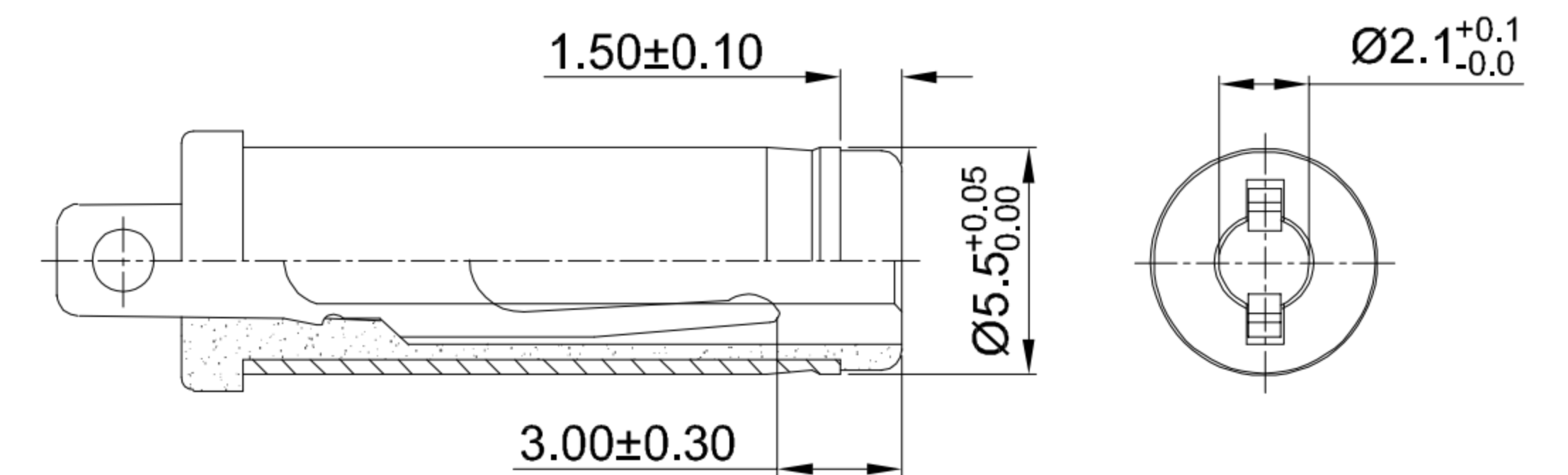
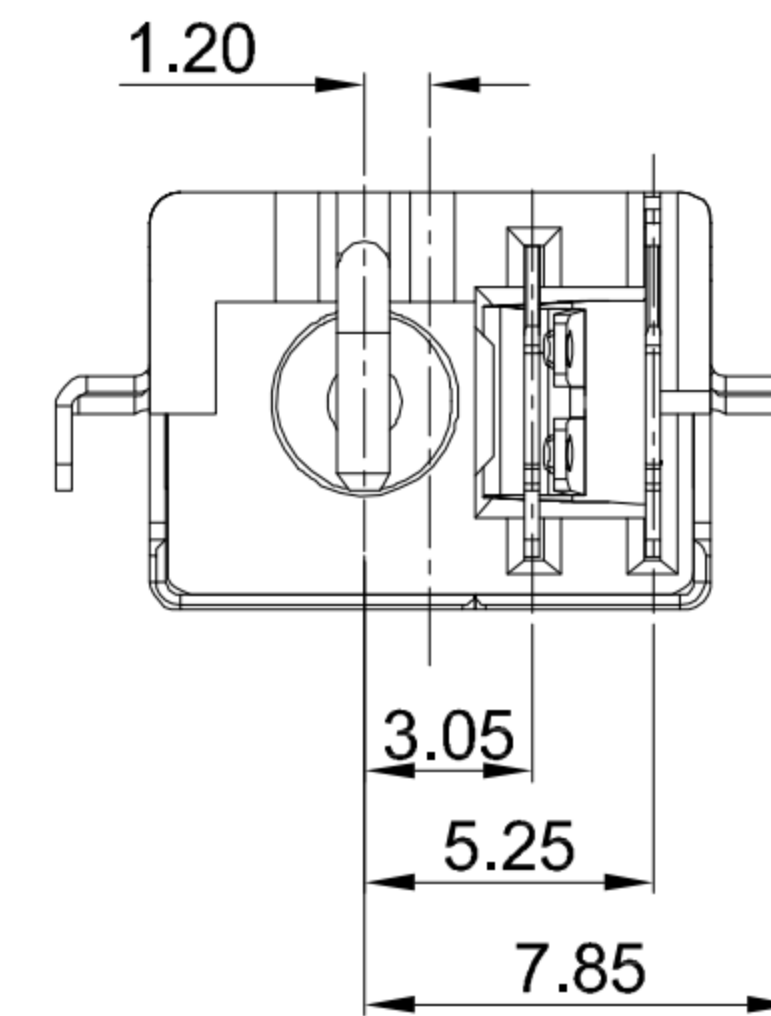
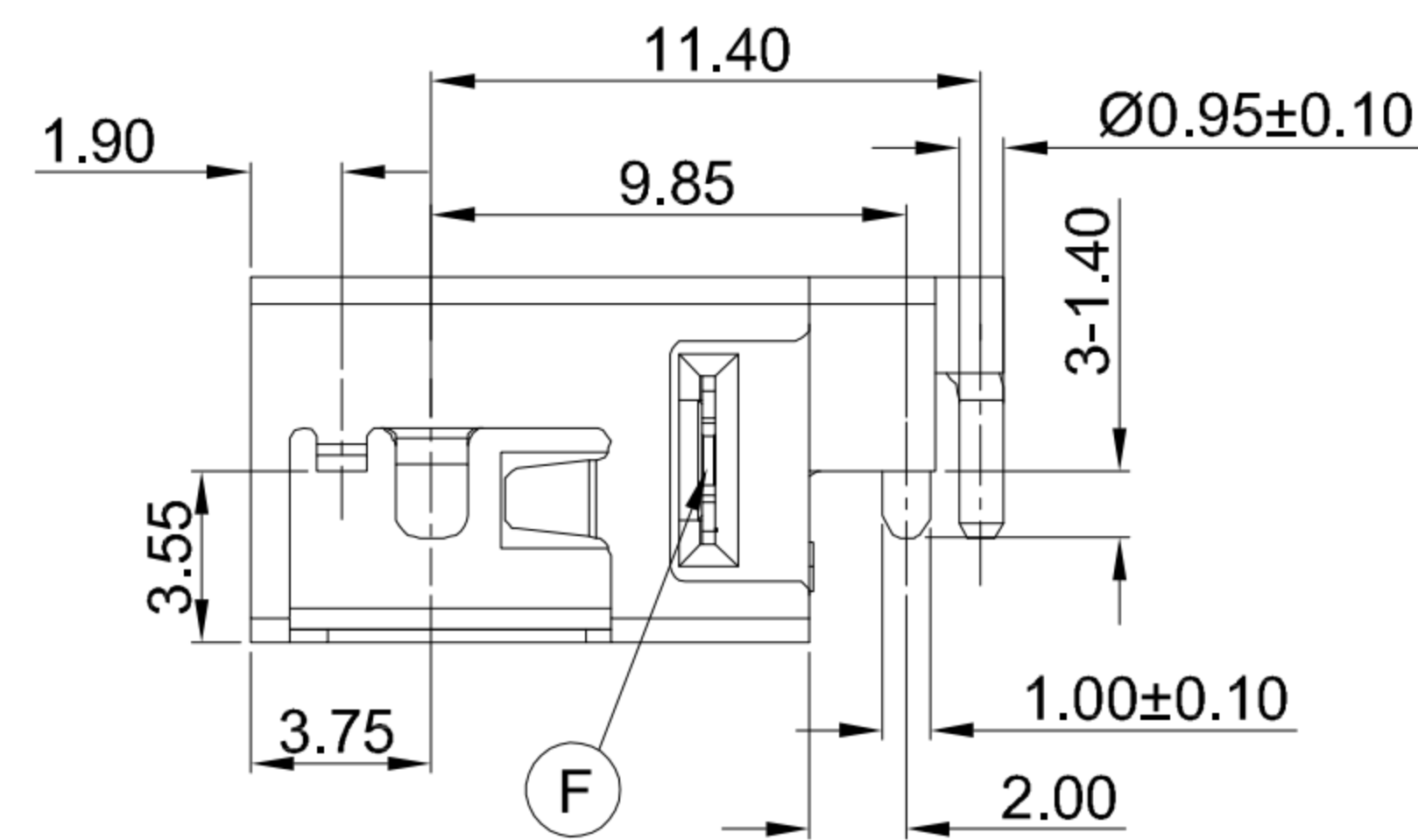
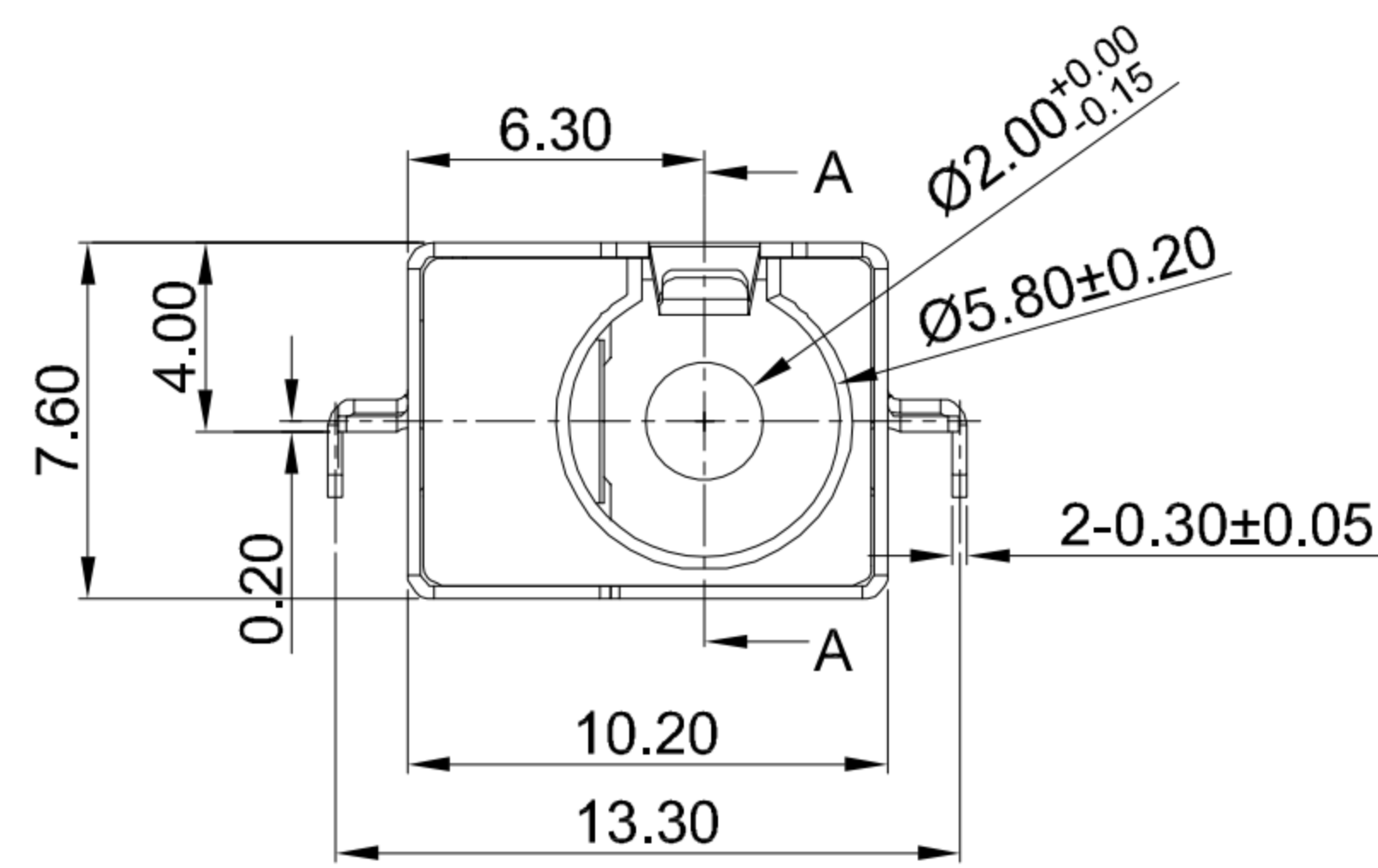
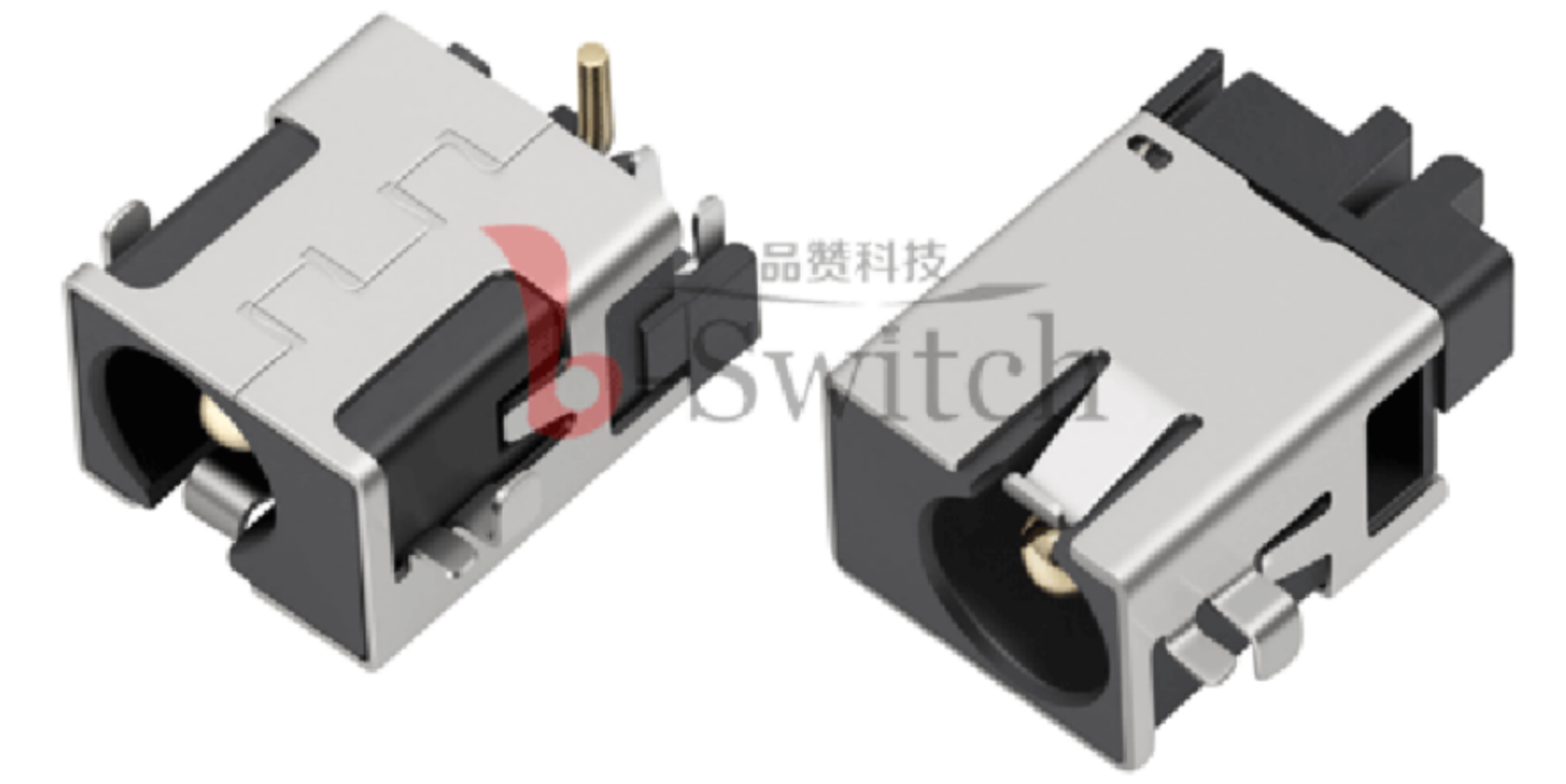
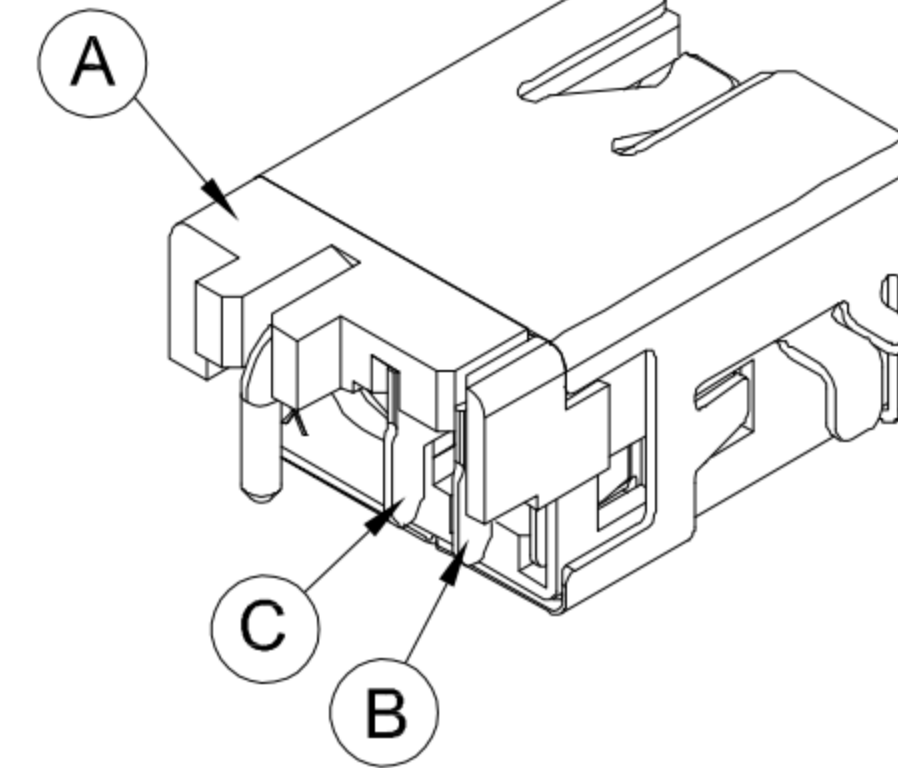
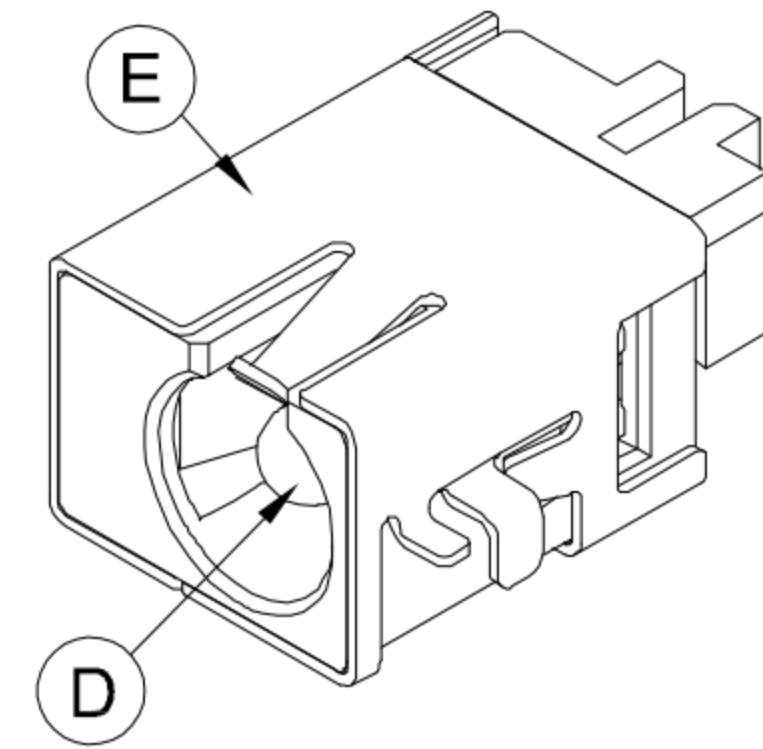
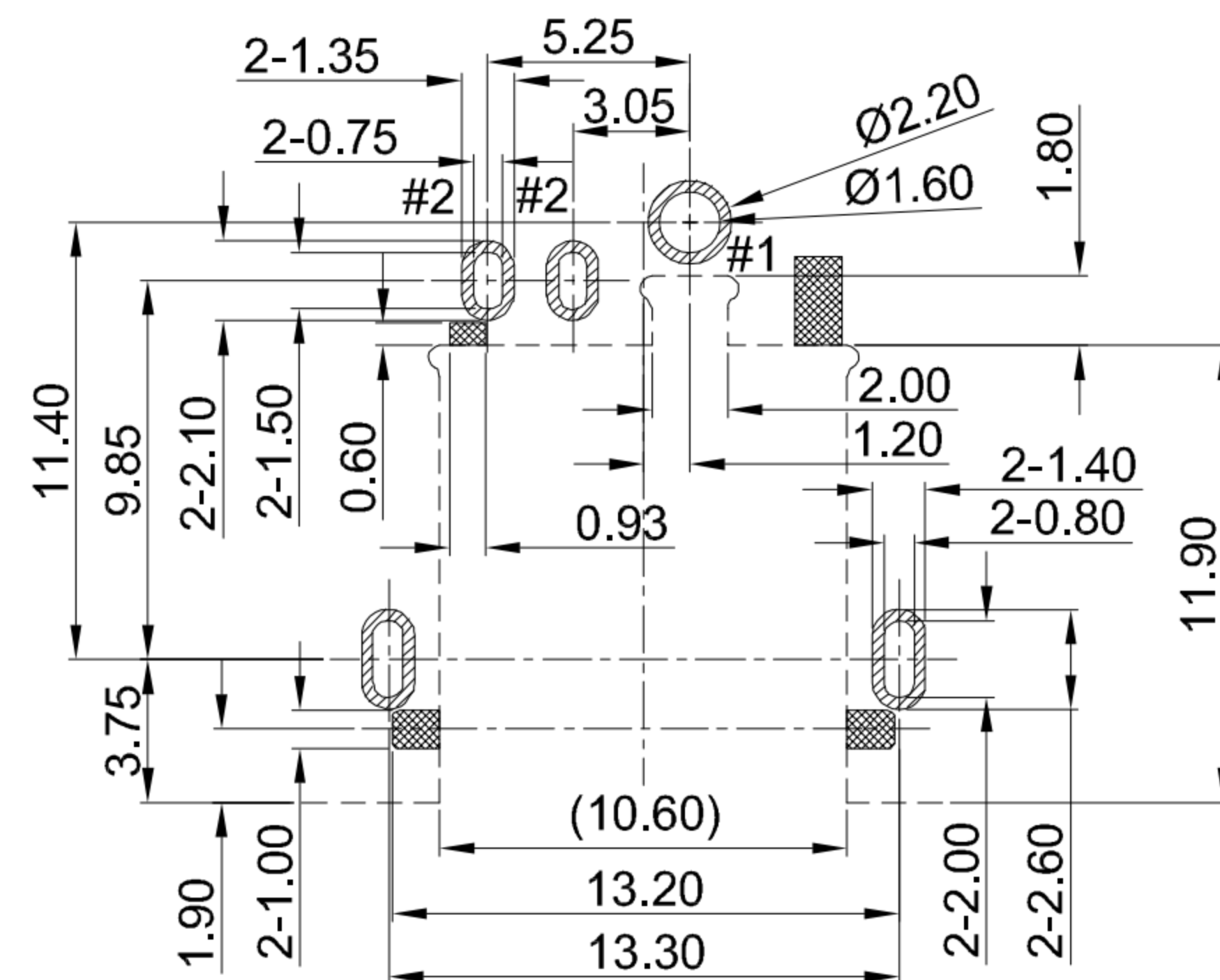
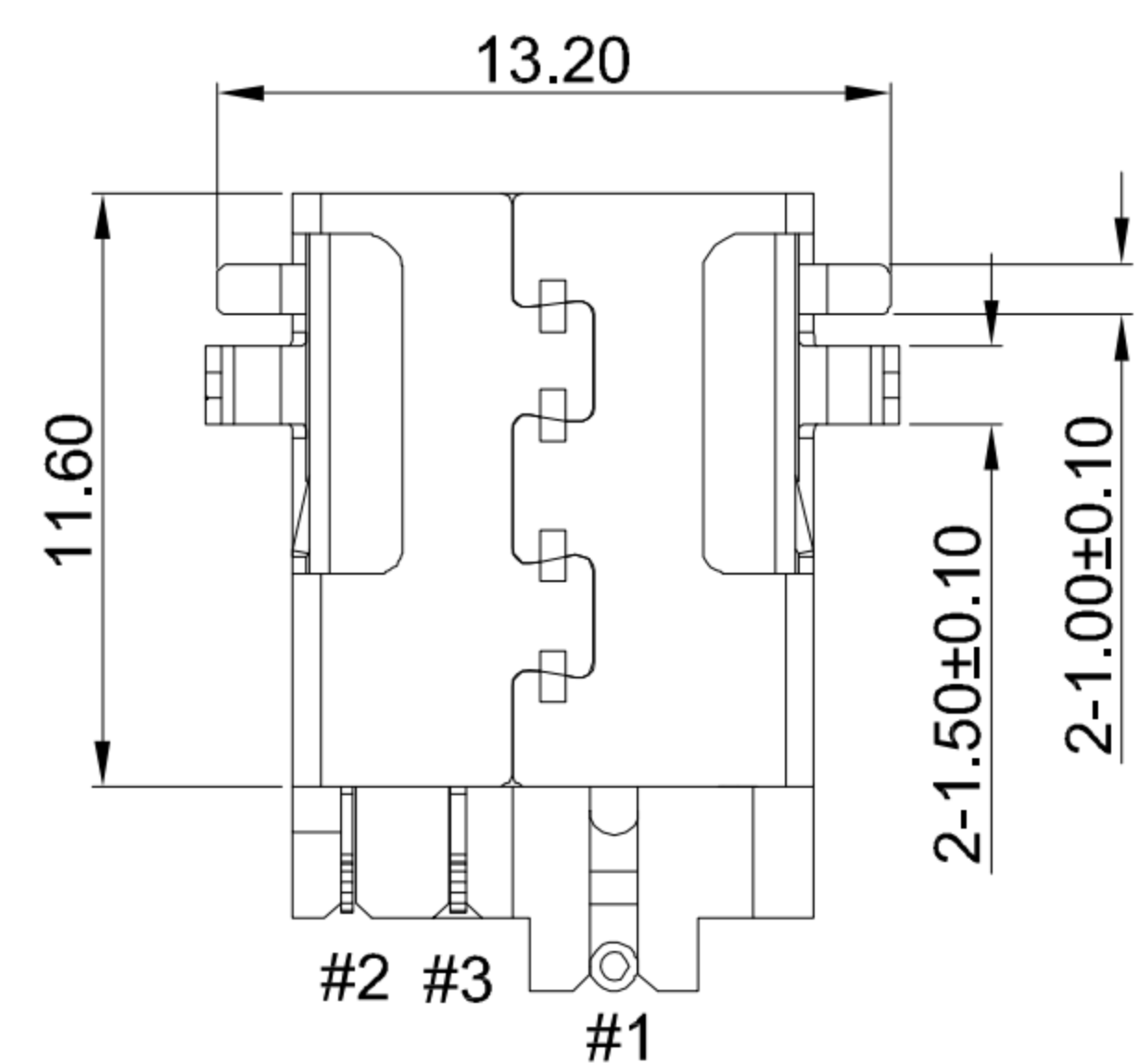


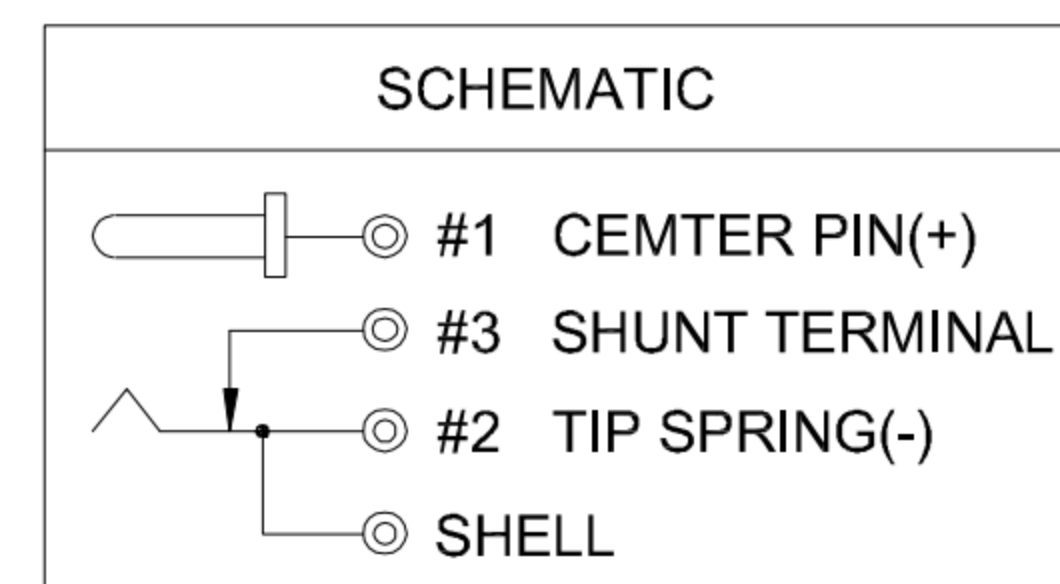
SECTION A-A



MATING PLUG Ø5.5xØ2.1mm



RECOMMENDED PCB LAYOUT
TOLERANCE:±0.05



CIRCUIT DIAGRAM

G-Switch Specification:

1. Operating temperature range: -40°C ~ +85°C
2. Rated load: 10A, 20V DC
3. Insulation resistance: 100MΩ min
4. Withstand voltage: 500V AC/min
5. Contact resistance: 30mΩ max
6. Durability cycle: 5,000 Cycles
7. Insertion and extraction force: 3-30N

NO.	PART NAME	MATERIAL	REMARK
A	BASE	HIGH TEMP.THERMOPLASTIC	BLACK
B	TIP SPRING	COPPER ALLOY 0.25T	GOLD FALSH
C	SHUNT TERMINAL	COPPER STRIP 0.25T	
D	PIN	BRASS	
E	SHELL	COPPER ALLOY 0.30T	Ni 50u"
F	TERMINAL	STAINLESS STEEL 0.3T	N/A



SCALE: 1:1 UNIT: mm
SIZE: A4

Title: Horizontal DC Power Jack 5521
SMT Sink 3.55 CH=0.2 L=14.2 Ø2.0mm

Unless otherwise
General tolerance:
X ±0.50
X.x ±0.30
X.xx ±0.20
X.xxx ±0.10
X° ±2°

Molde Code: DC-S021A-D020-10A

DRAWN	CHECKED	APPROVED	DATE
Xia	Chen	Chen	2023.02.01



REV: A0 SHEET: 1/1