

A

B

C

D

E

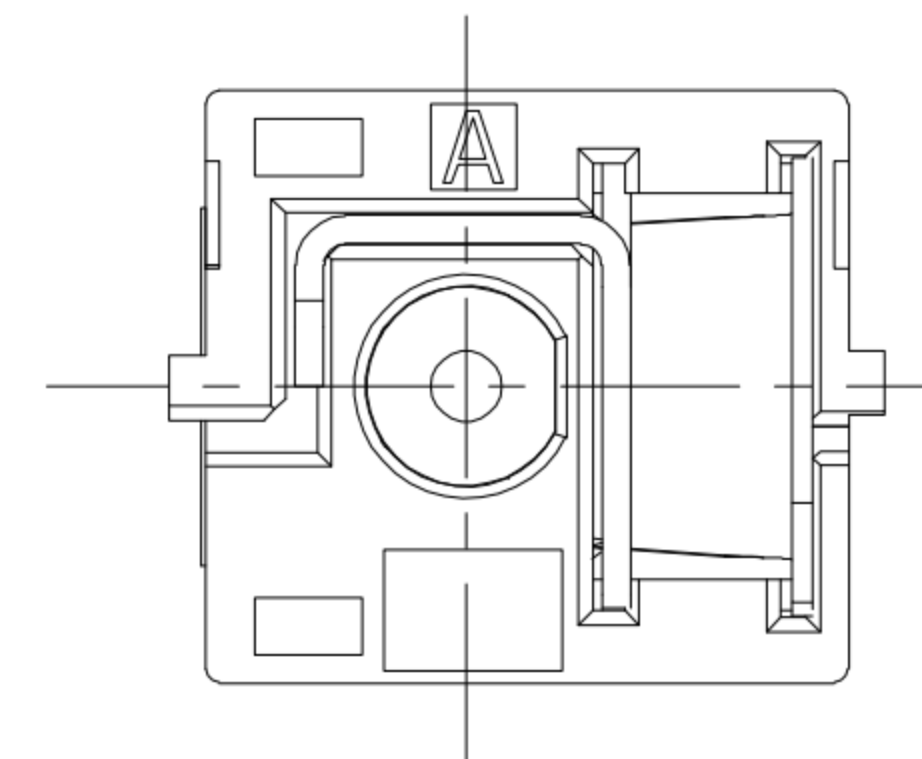
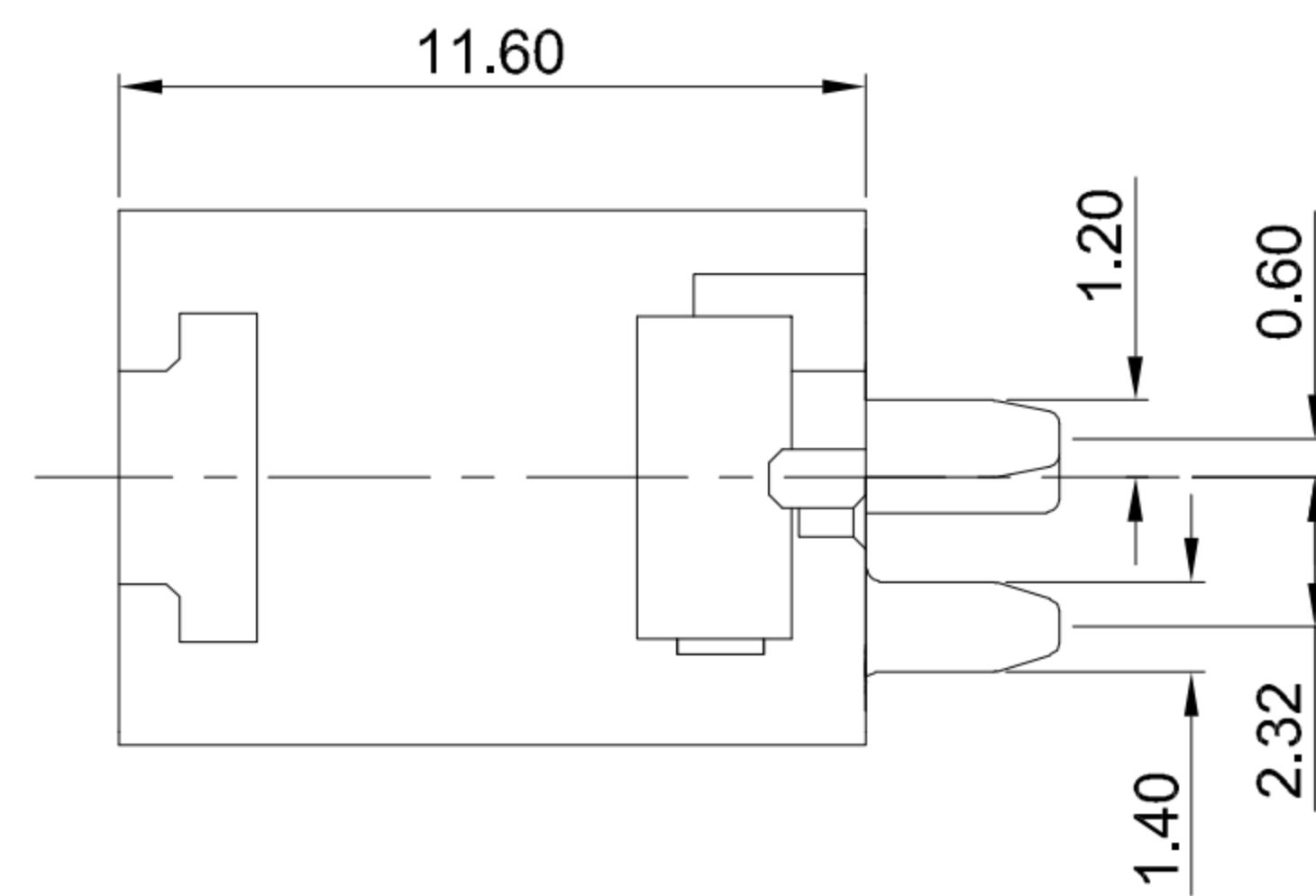
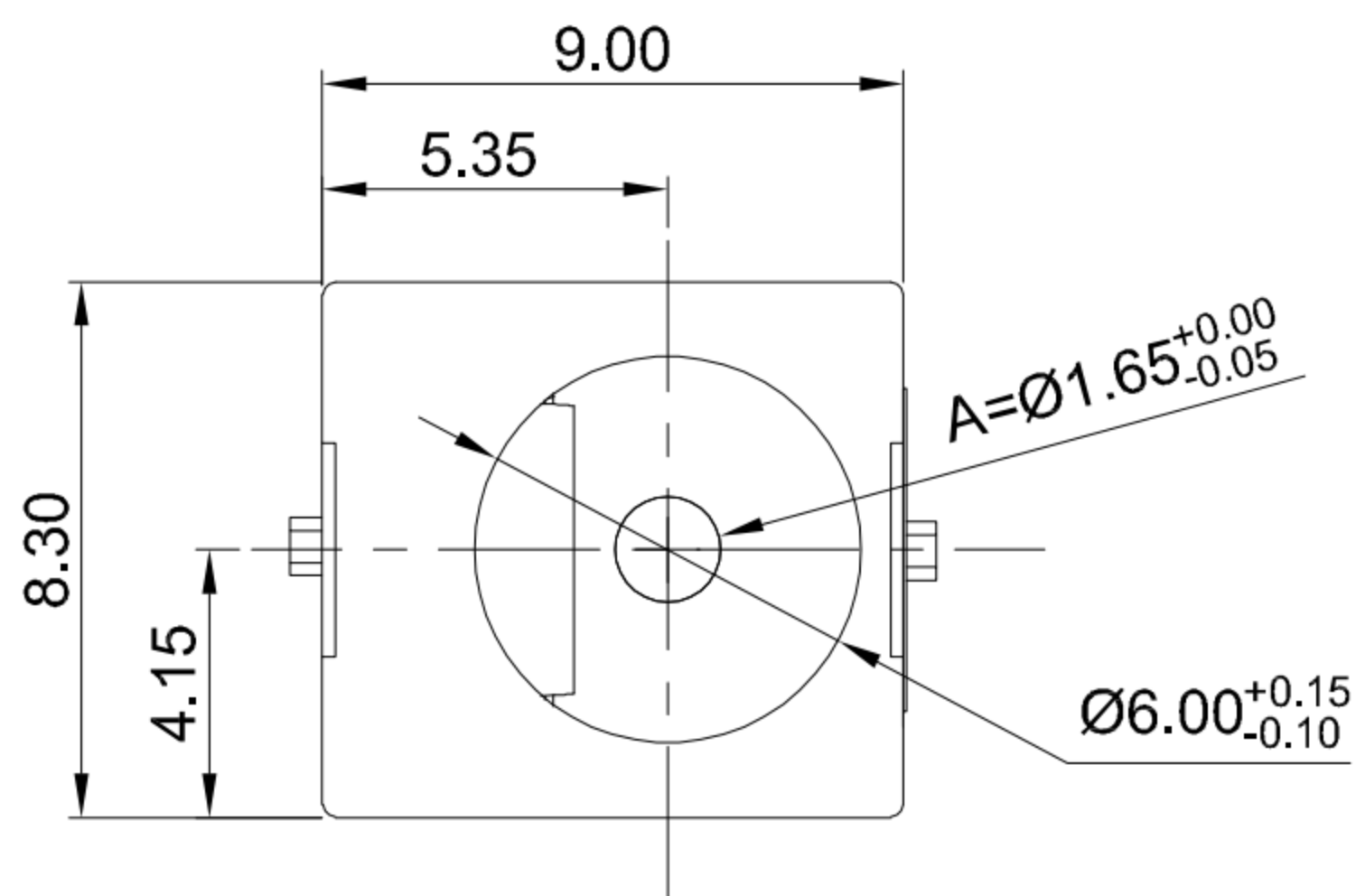
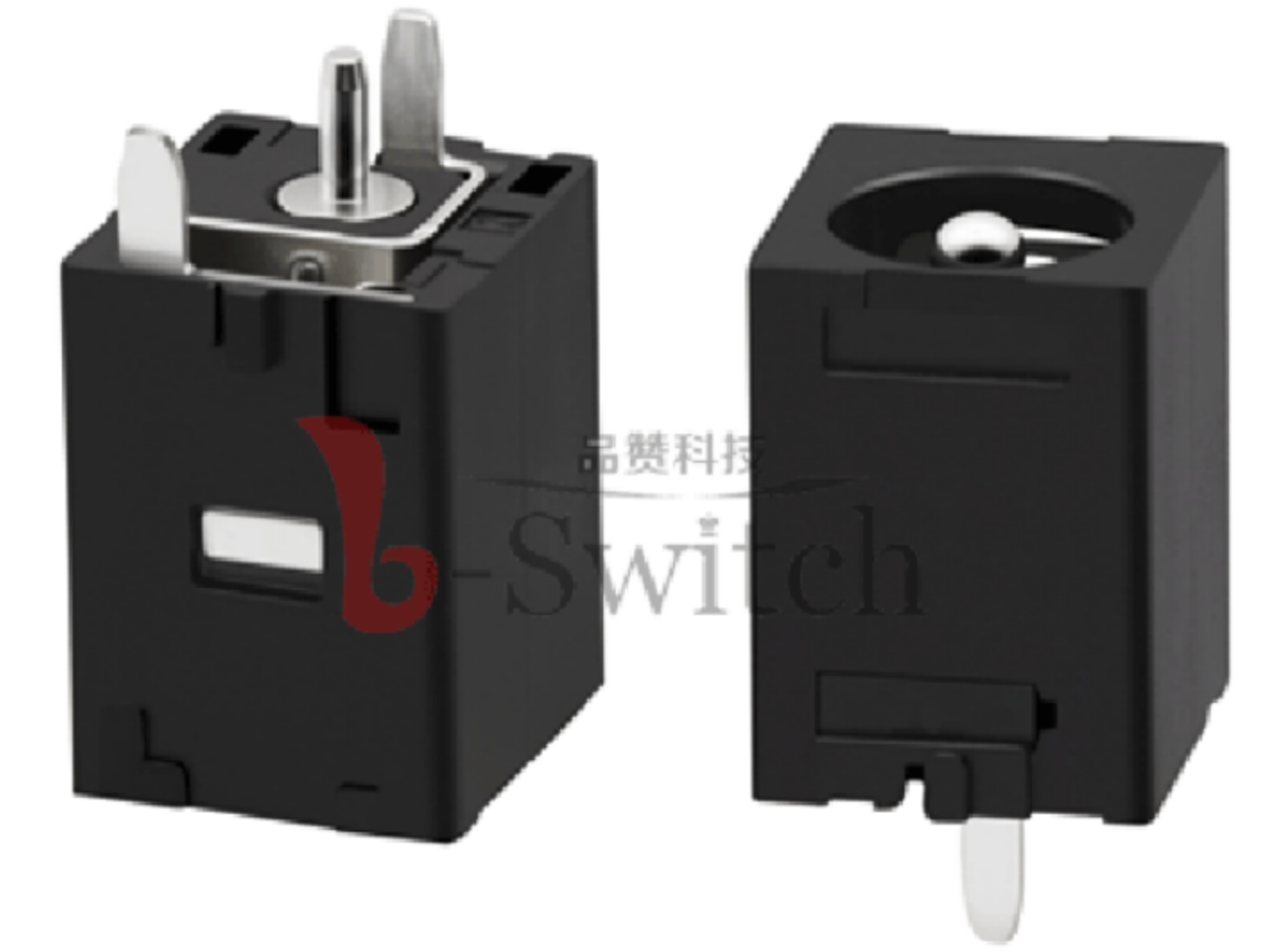
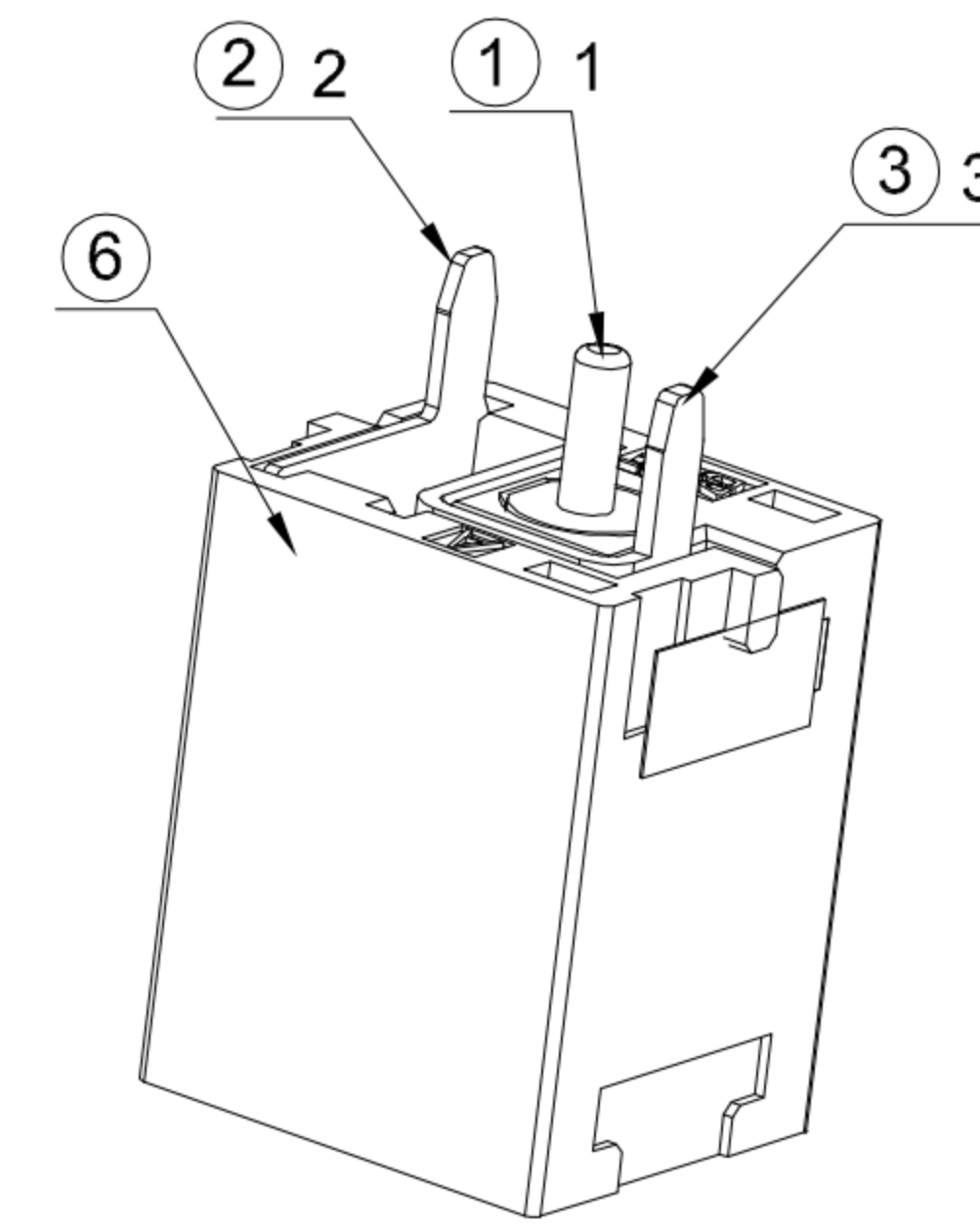
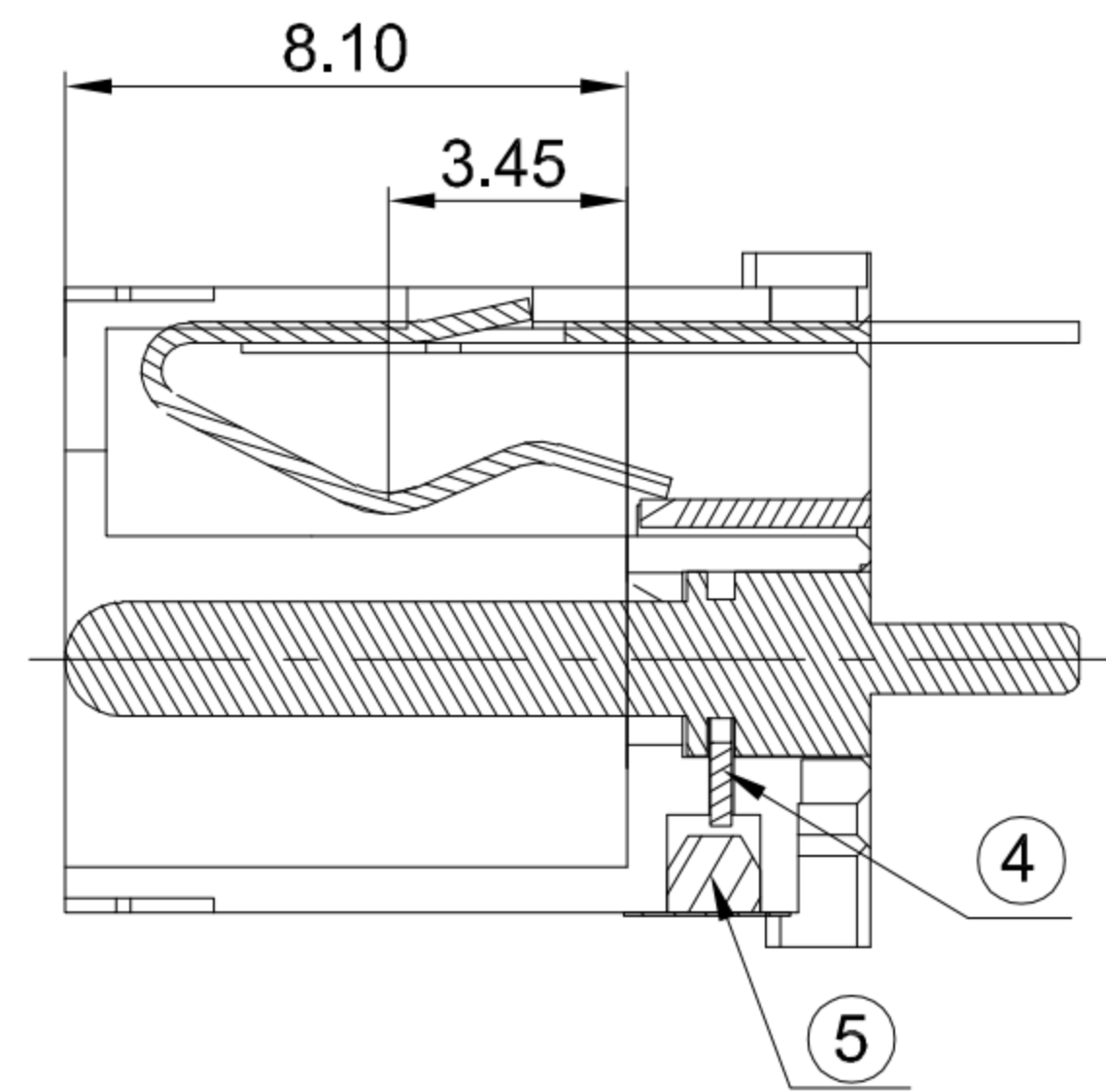
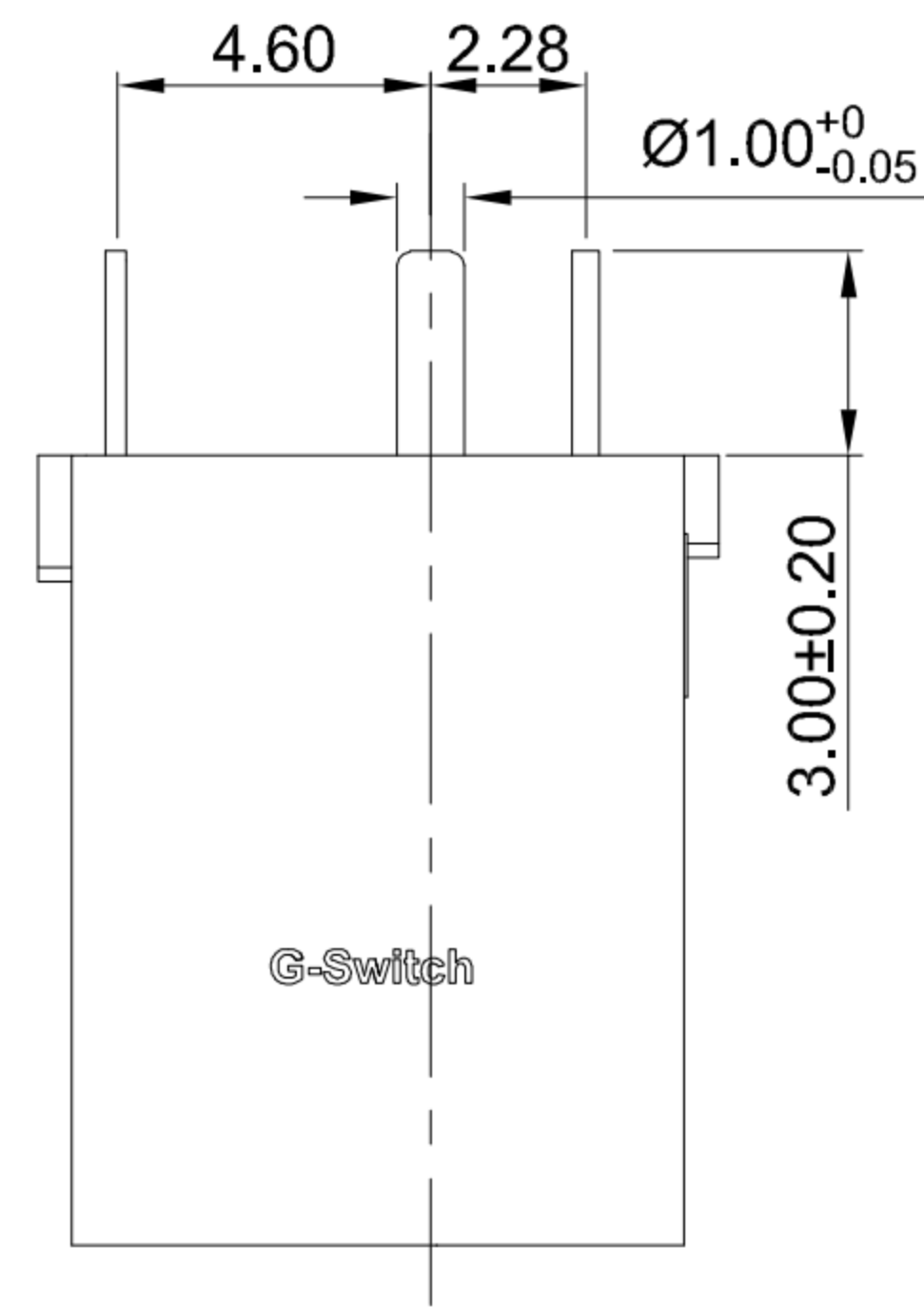
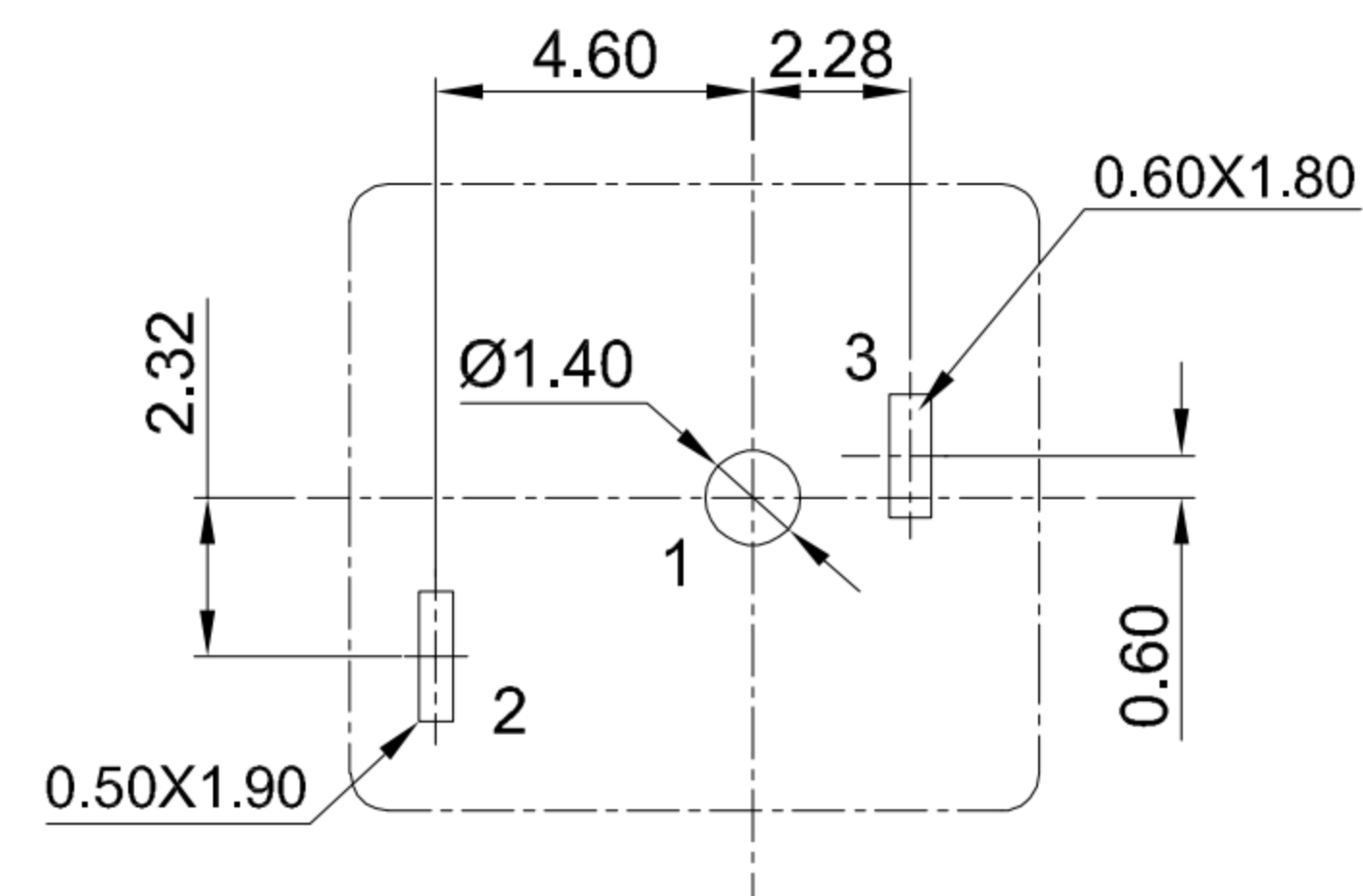
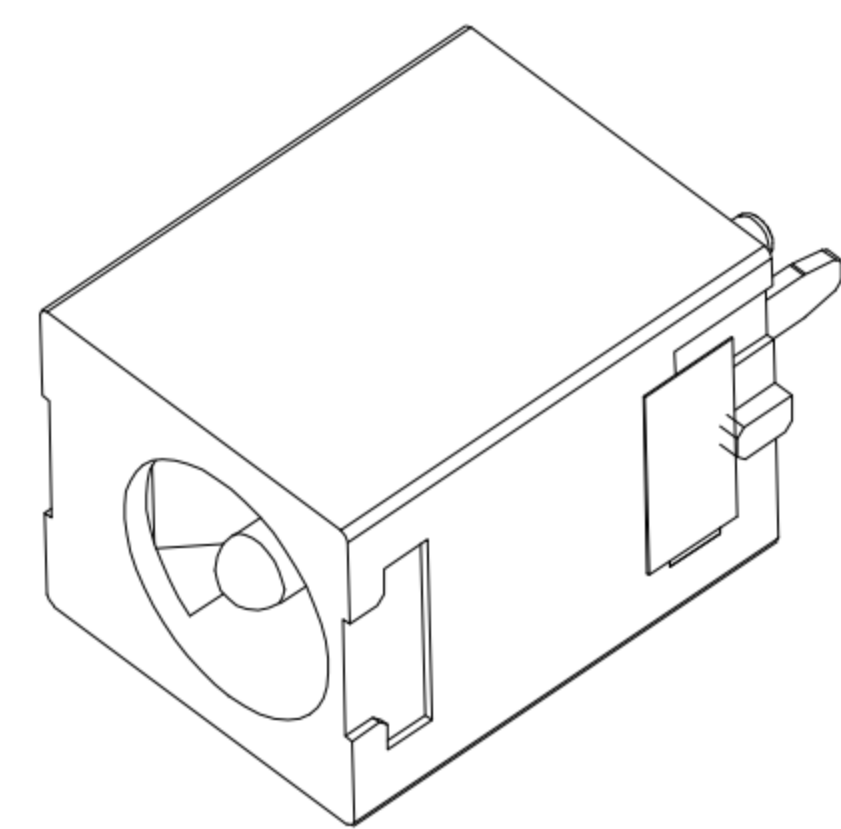


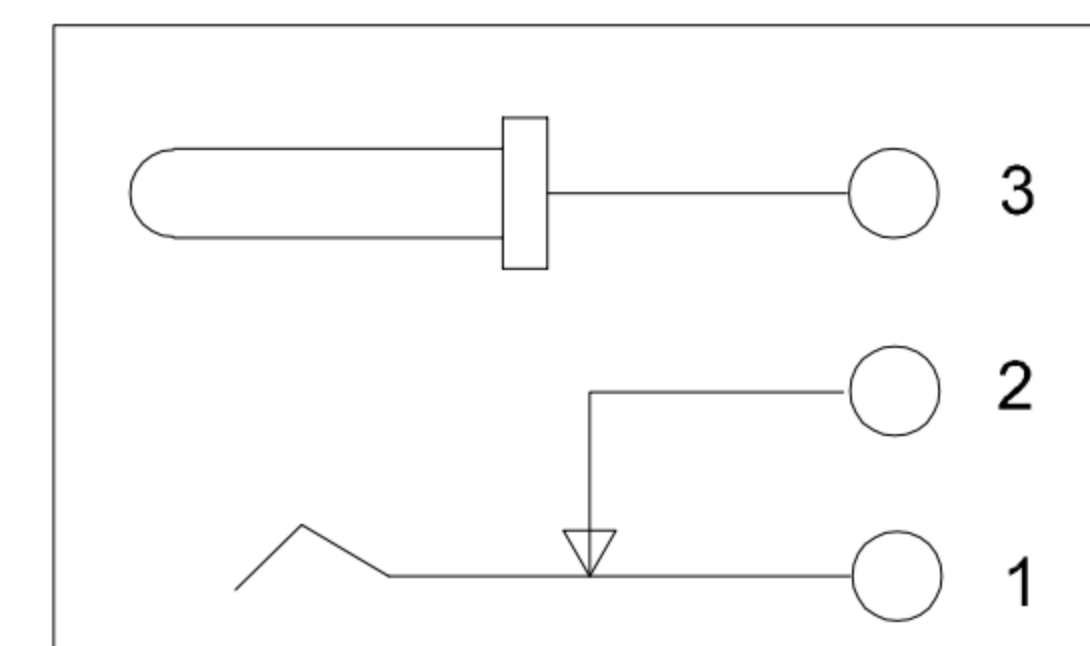
TABLE:

5517	1.65 ^{+0.00} _{-0.05}
PLUG	DIM. "A"

MATING PLUG Ø5.5xØ1.7mm



RECOMMENDED PCB LAYOUT
TOLERANCE: ±0.05



CIRCUIT DIAGRAM

G-Switch Specification:

- 1. Operating temperature range: -40°C ~ +85°C
- 2. Rated load: 5A.24V DC
- 3. Insulation resistance: 100MΩ min
- 4. Withstand voltage: 500V AC/min
- 5. Contact resistance: 30mΩ max(INITIAL)
- 6. Durability cycle: 5000 Cycles
- 7. Insertion and extraction force: 3-30N

6	HOUSING	PA-9T(Black)	
5	KNOB	PA-9T(Black)	
4	TERMINAL	BRASS t=0.35	Sn-Plated
3	TERMINAL	BRASS t=0.40	Ag-Plated
2	TERMINAL	PHOSPHOR BRONZE t=0.30	Ag-Plated
1	PIN	BRASS	Ag-Plated
NO.	PART NAME	MATERIAL	REMARK



SCALE: 1:1 UNIT: mm
 SIZE: A4

Title: Vertical DC Power Jack 5517
 DIP H=11.6 Ø1.65mm

Unless otherwise
 General tolerance:
 X ±0.50
 X.x ±0.30
 X.xx ±0.20
 X.xxx ±0.10
 X.x° ±3°

Molde Code: DC-S023A-D0165-5A

DRAWN	CHECKED	APPROVED	DATE
Xia	Chen	Chen	2023.02.01



REV: A0 SHEET: 1/1

A

B

C

D

E