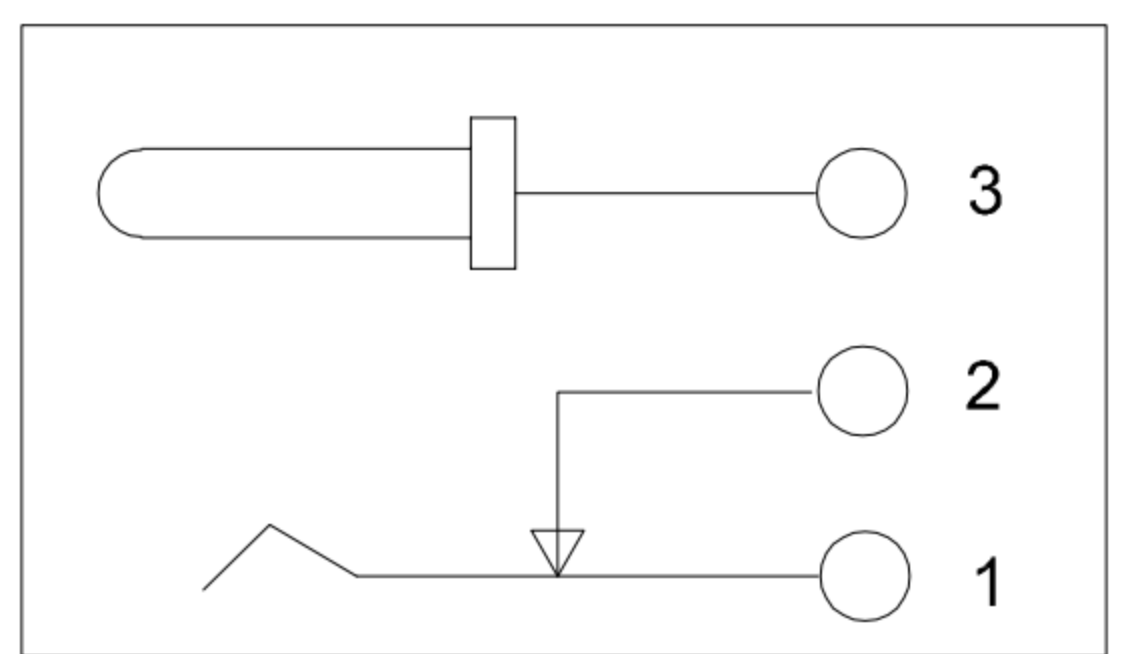
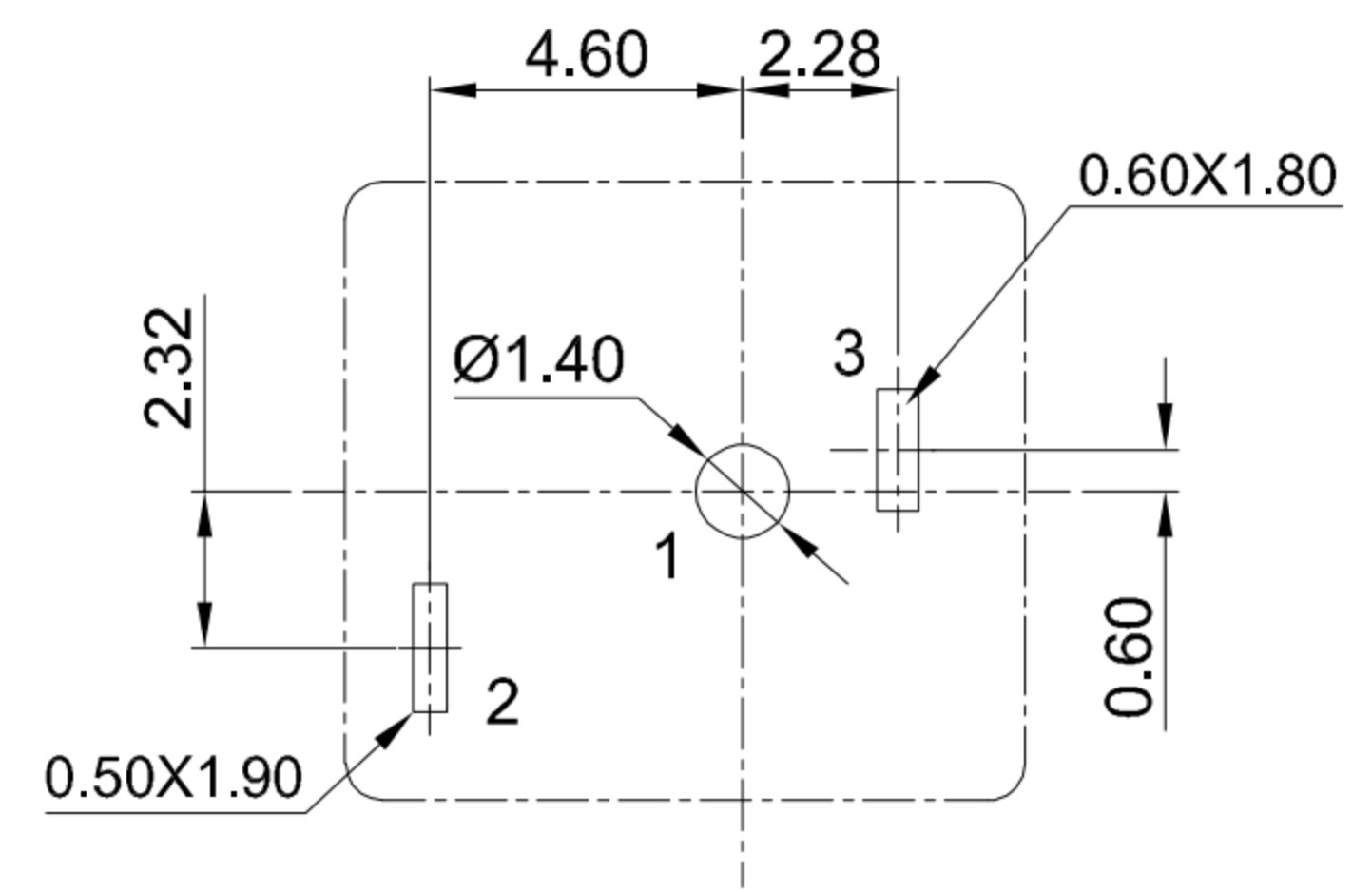
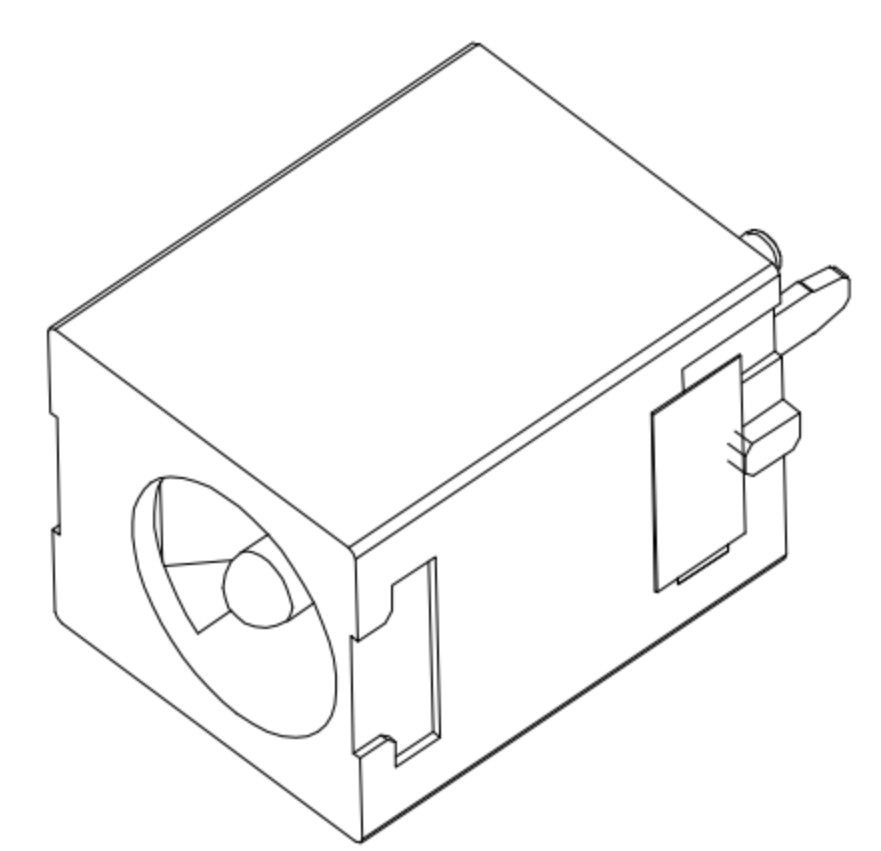


TABLE:

5521	2.00 <sup>±0.05</sup>
PLUG	DIM. "A"

MATING PLUG Ø5.5xØ2.1mm



CIRCUIT DIAGRAM

- G-Switch Specification:**
1. Operating temperature range: -40°C ~ +85°C
  2. Rated load: 5A.24V DC
  3. Insulation resistance: 100MΩ min
  4. Withstand voltage: 500V AC/min
  5. Contact resistance: 30mΩ max(INITIAL)
  6. Durability cycle: 5000 Cycles
  7. Insertion and extraction force: 3-30N

RECOMMENDED PCB LAYOUT  
TOLERANCE: ±0.05

6	HOUSING	PA-9T(Black)	
5	KNOB	PA-9T(Black)	
4	TERMINAL	BRASS t=0.35	Sn-Plated
3	TERMINAL	BRASS t=0.40	Ag-Plated
2	TERMINAL	PHOSPHOR BRONZE t=0.30	Ag-Plated
1	PIN	BRASS	Ag-Plated
NO.	PART NAME	MATERIAL	REMARK



SCALE: 1:1	UNIT: mm
SIZE: A4	
Unless otherwise General tolerance:	
X	±0.50
X.x	±0.30
X.xx	±0.20
X.xxx	±0.10
X.x°	±3°

Title: Vertical DC Power Jack 5521 DIP H=11.6 Ø2.0mm			
Molde Code: DC-S023A-D020-5A			
DRAWN	CHECKED	APPROVED	DATE
Xia	Chen	Chen	2023.02.01



REV: A0	SHEET: 1/1
---------	------------