

A

B

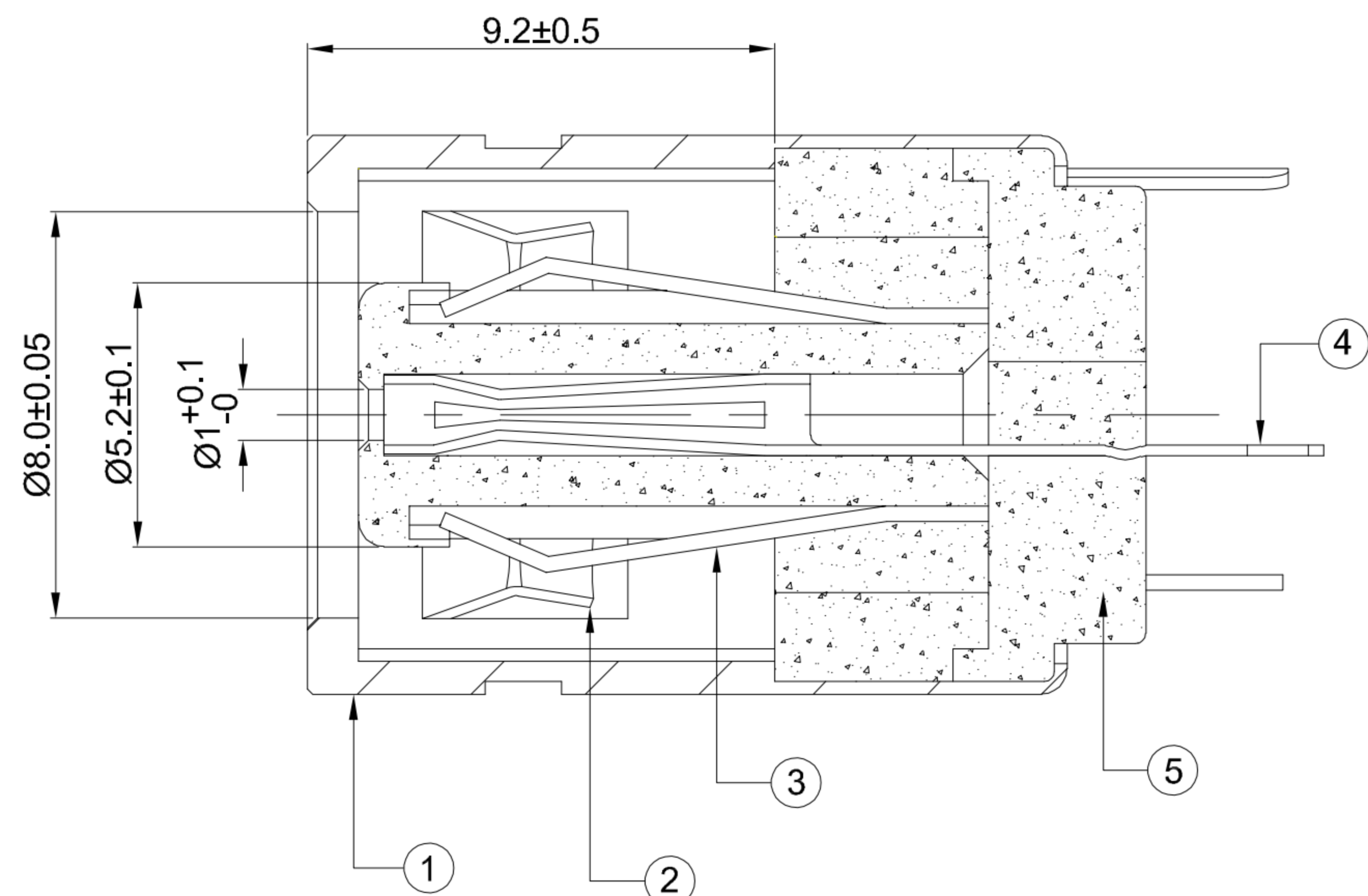
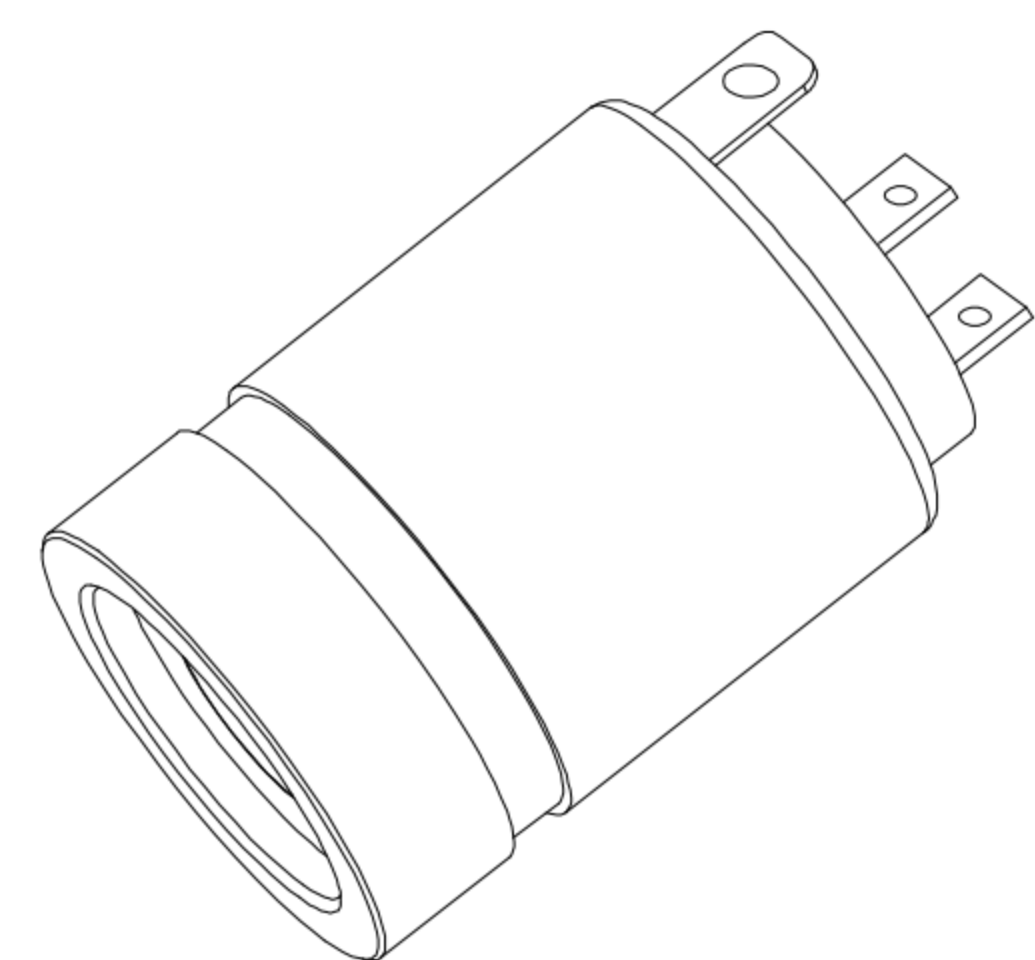
C

D

E

1

1

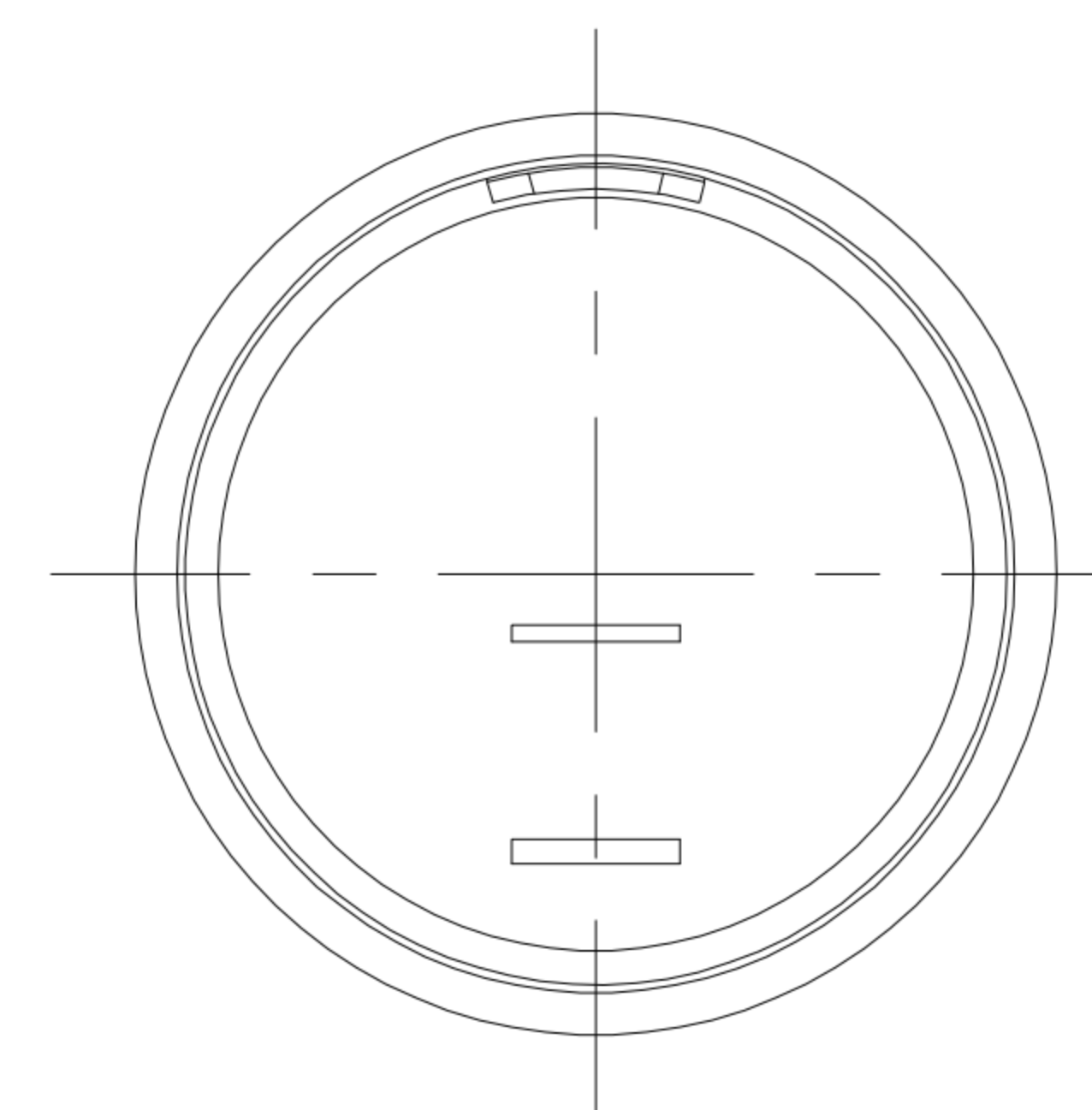
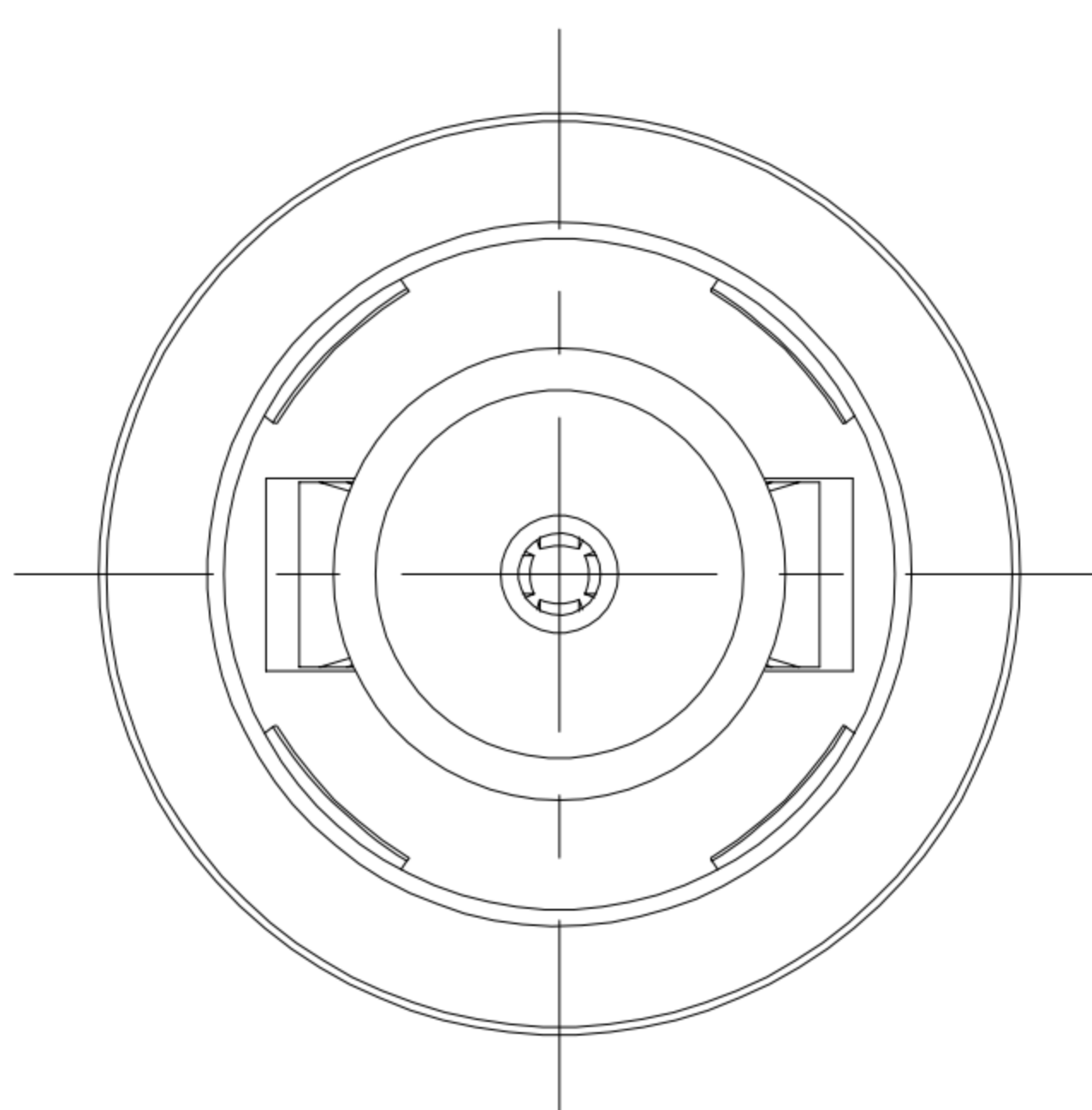


2

2

3

3



4

4

**G-Switch Specification:**

- 1. Operating temperature range: -40°C ~ +85°C
- 2. Rated load: 10A 24V DC.
- 3. Insulation resistance: 100MΩ min
- 4. Withstand voltage: 500V AC/min
- 5. Contact resistance: 30mΩ max
- 6. Durability cycle: 5000 Cycles
- 7. Insertion and extraction force: 3-30N

5

5

1	SHELL	BRASS(C3604)	Ni PLATING
2	SPRING	BRASS(C5191)	Ni PLATING
3	CONTACT	BRASS(C5191)	Ni PLATING
4	PIN	BRASS(C3604)	Ni PLATING
5	BASE	HIGH TEMPERATURE PLASTIC	PBT BLACK
NO.	PART NAME	MATERIAL	REMARK



SCALE: 1:1 UNIT: mm

SIZE: A4

Unless otherwise  
General tolerance:

X	±0.40
X.x	±0.30
X.xx	±0.20
X°	±5°
X.x°	±3°

Title: Soldered Type DC Power Jack 7909  
Ø1.1mm L=16.3 Ø1.0mm

Molde Code: DC-S026A-D010-10A

DRAWN	CHECKED	APPROVED	DATE
Xia	Chen	Chen	2023.02.01



REV: A0 SHEET: 1/1

A

B

C

D

E