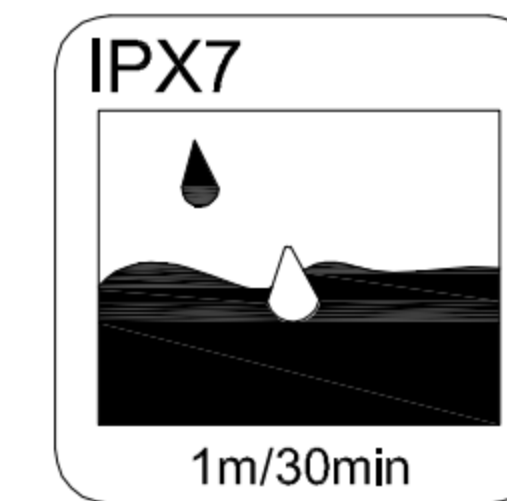
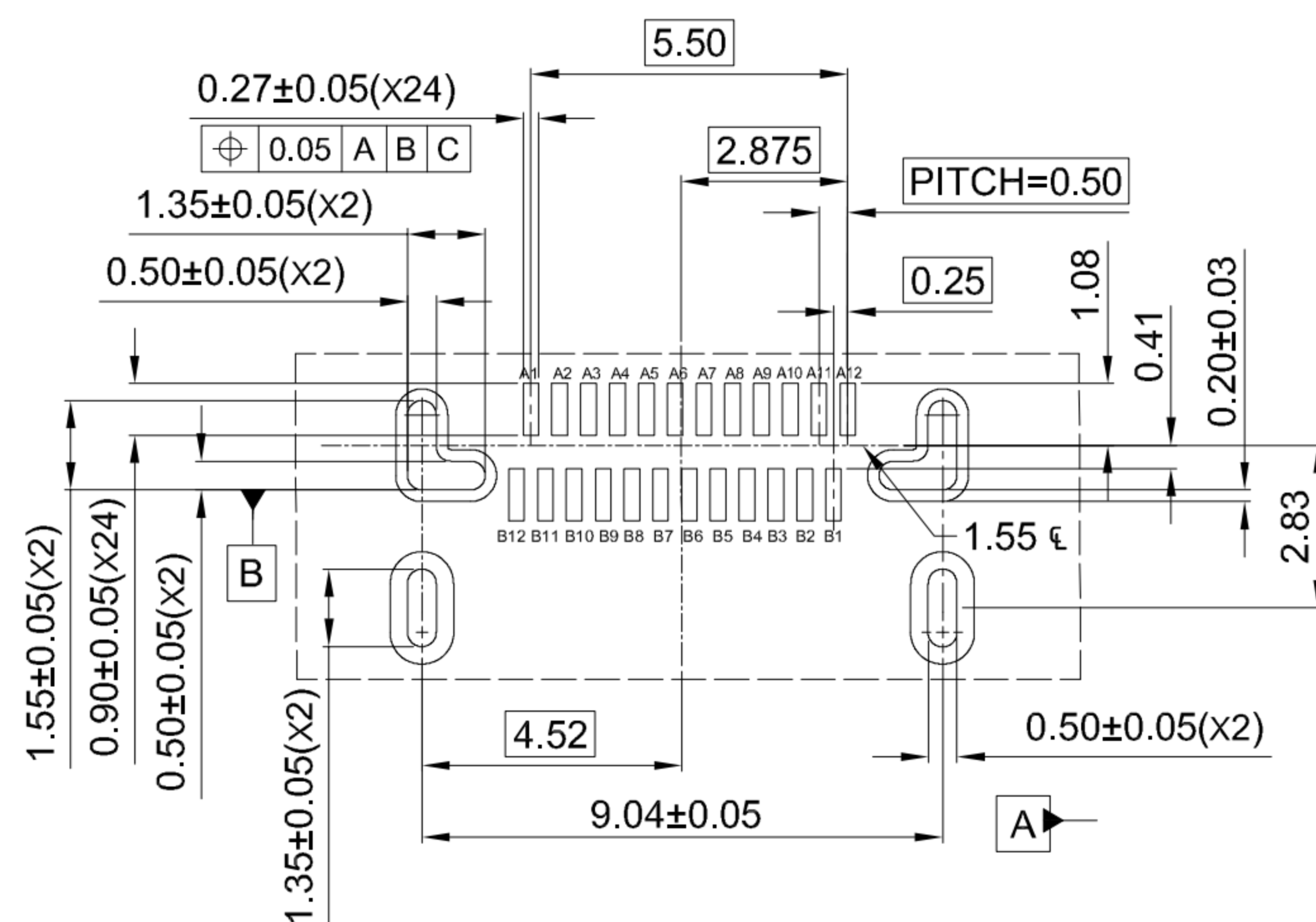
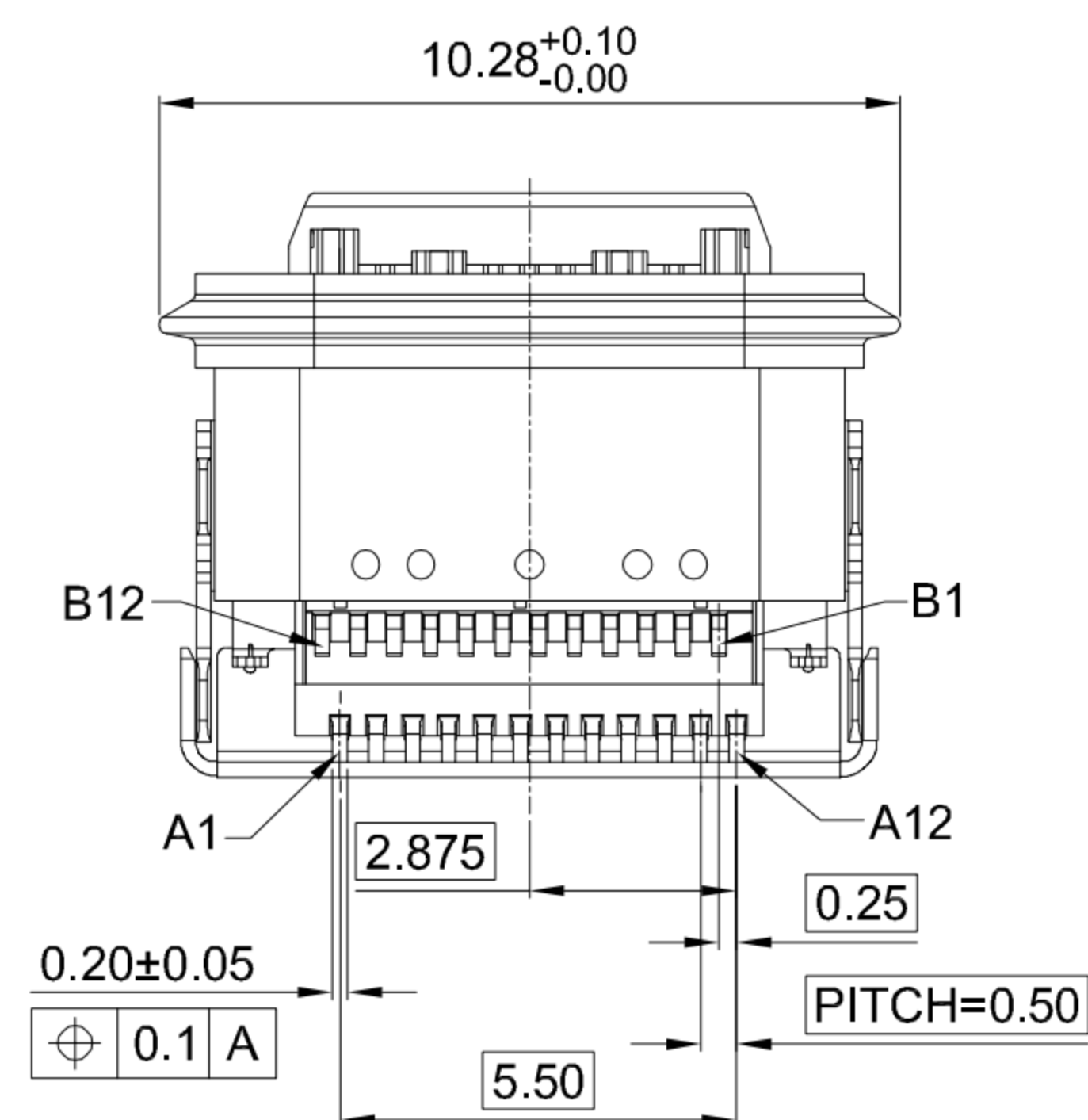


**G-Switch USB-C Specification:**

1. Current rated: 5A on vbus/1.25A on vconn/0.25A on other  
Voltage rating: 24V AC
2. Withstanding voltage: 100V AC/minute
3. Contact resistance: 40mΩ Max
4. Insulation resistance: 100MΩ Min
5. Operating temperature: -40°C ~ +85°C
6. Mating force: 5N~20N
7. Unmating force: 8N~20N
8. Durability cycle: 10,000 cycles
9. Data transmission rate up to 5Gbps
10. Waterproof grade: IP-X7



A1	A2	A3	A4	A5	A6	A7	A8	A9	A10	A11	A12	B12	B11	B10	B9	B8	B7	B6	B5	B4	B3	B2	B1
GND	TX1+	TX1-	VBUS	CC1	D+	D-	SBU1	VBUS	RX2-	RX2+	GND	GND	RX1+	RX1-	VBUS	SBU2	D-	D+	CC2	VBUS	TX2-	TX2+	GND
First	Second	Second	First	Second	Second	Second	Second	First	Second	Second	First	First	Second	Second	First	Second	Second	Second	Second	First	Second	Second	First

1	COVER SHELL	STAINLESS STEEL	Ni PLATED
2	SHELL	STAINLESS STEEL	Ni PLATED
3	MID PLATE	STAINLESS STEEL	Ni PLATED
4	HOUSING	HIGH TEMPERATURE PLASTIC	BLACK UL 94 V-0
5	TERMINALS	COPPER ALLOY	Au PLATING ON CONTACT AREA
6	WATERPROOF RING	SILICA GEL	BLACK
NO.	PARTS	MATERIAL	REMARKS

RECOMMENDED PCB LAYOUT  
TOLERANCE: ±0.05



SCALE: 1:1 UNIT: mm  
SIZE: A4

Unless otherwise  
General Tolerance:  
X. ±0.25  
X.x ±0.20  
X.xx ±0.15  
X.xxx ±0.10  
X° ±5°

Title: Horizontal Type-c 24P Female  
SMT CH=1.6 L=8.1mm

Molde Code: GT-USB-7045A

DRAWN	CHECKED	APPROVED	DATE
Xia	Chen	Chen	2023.02.01



REV: A0 SHEET: 1/1