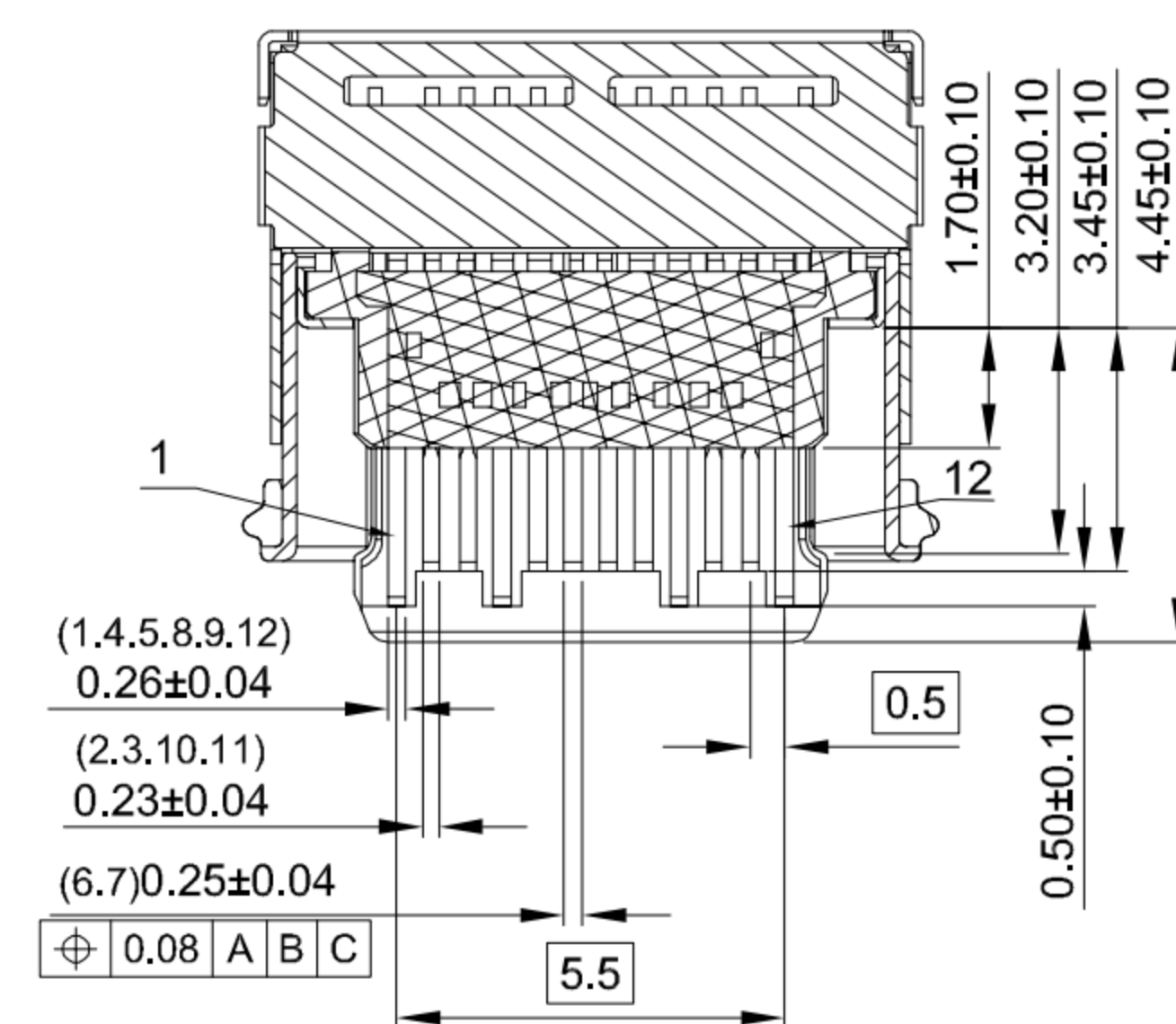
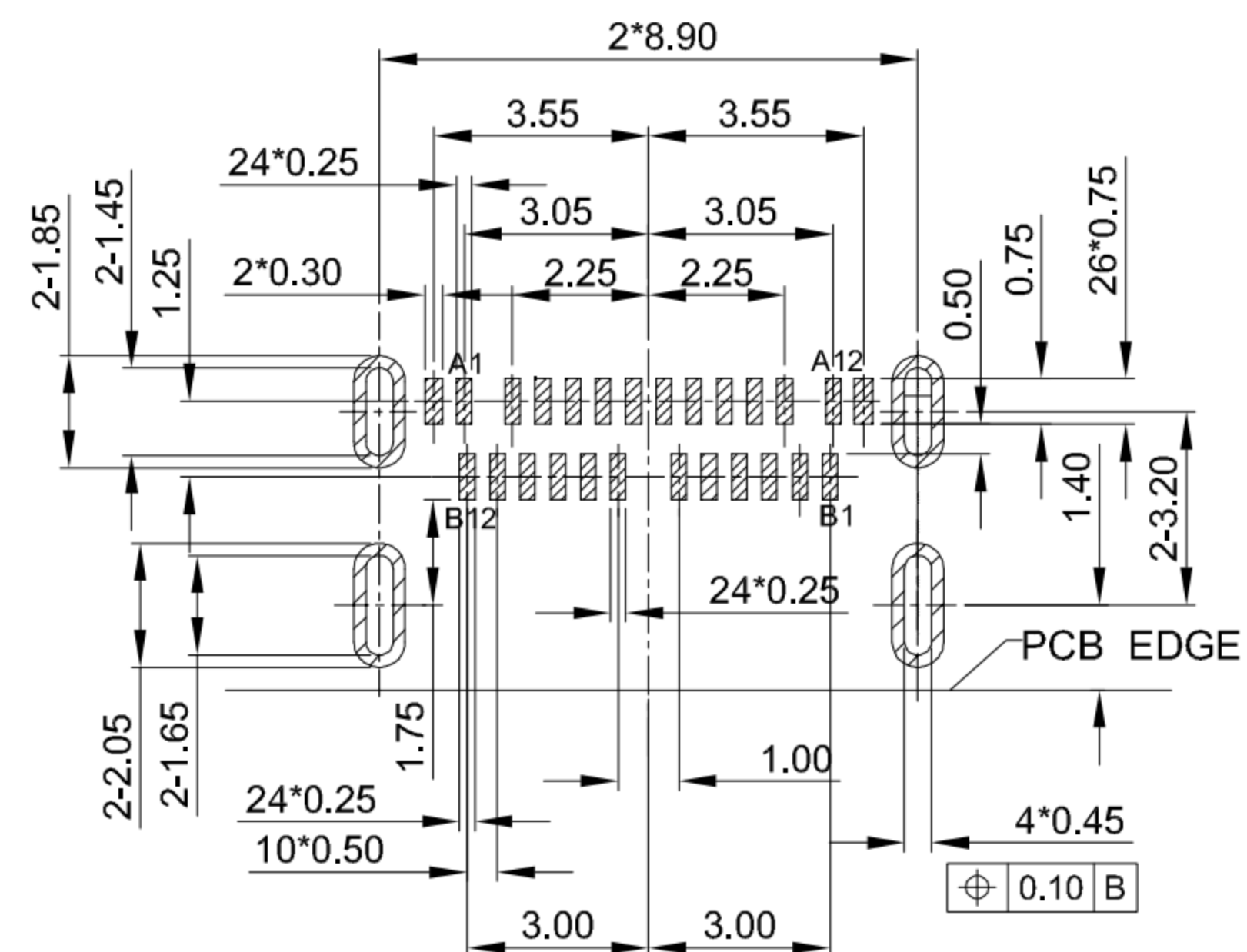
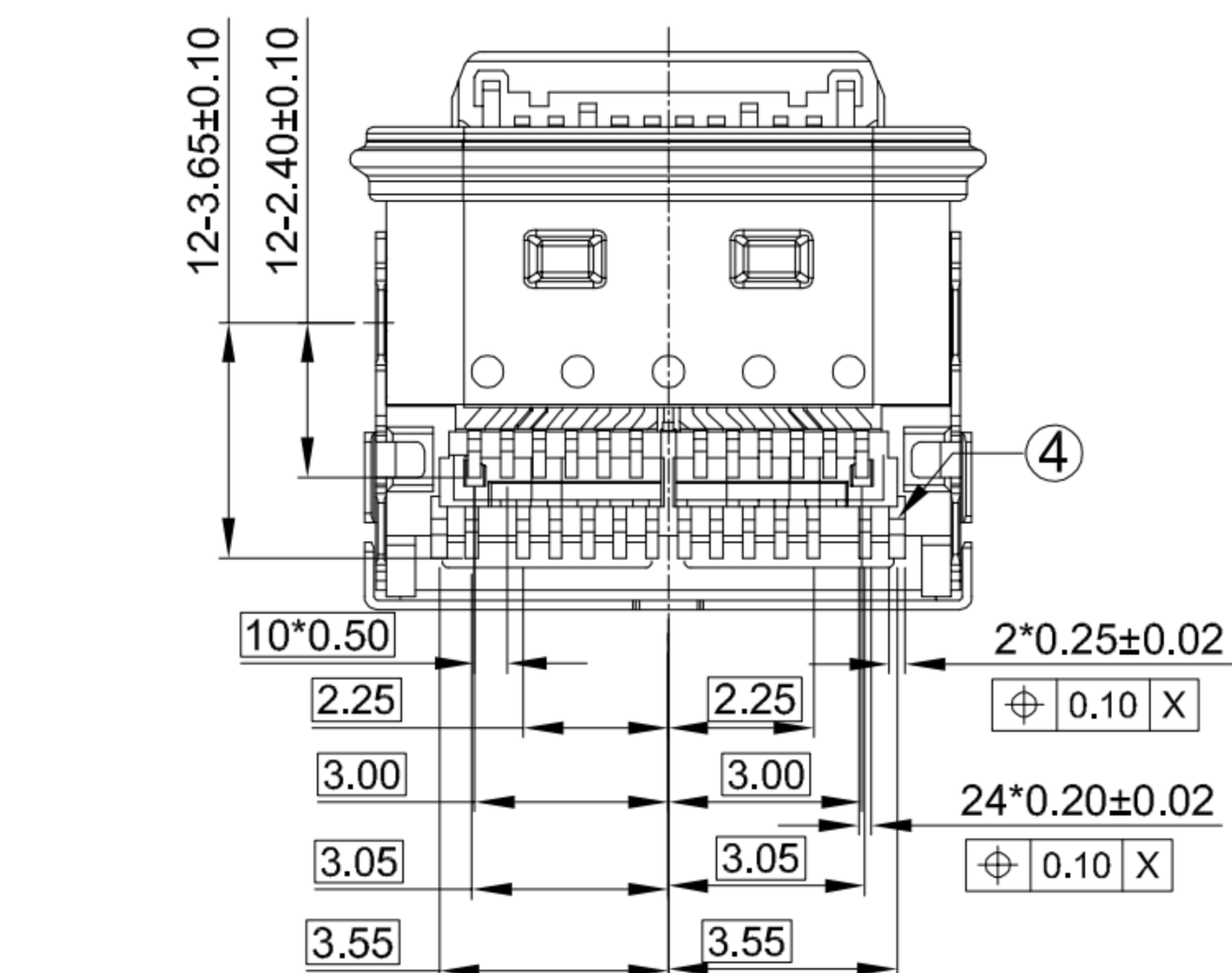


CASE ASSEMBLY FOR REFERENCE

G-Switch USB-C Specification:

1. Current rated: 5A on vbus/1.25A on vconn/0.25A on other
2. Voltage rating: 24V AC
3. Withstanding voltage: 100V AC/minute
4. Contact resistance: 40mΩ Max
5. Insulation resistance: 100MΩ Min
6. Operating temperature: -40°C ~ +85°C
7. Mating force: 5N~20N
8. Unmating force: 8N~20N
9. Durability cycle: 10,000 cycles
10. Data transmission rate up to 10Gbps
11. Waterproof grade: IP-X8

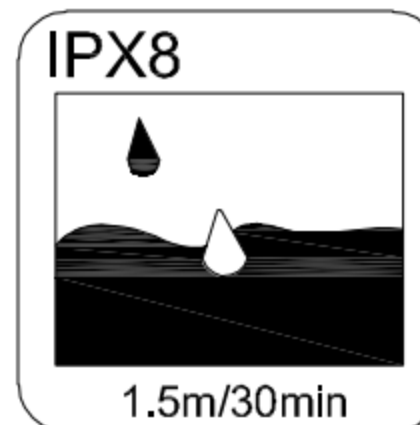


SECTION B-B

A1	A2	A3	A4	A5	A6	A7	A8	A9	A10	A11	A12
GND	TX1+	TX1-	VBUS	CC1	D+	D-	SBU1	VBUS	RX2-	RX2+	GND
First	Second	Second	First	Second	Second	Second	Second	First	Second	Second	First
B12	B11	B10	B9	B8	B7	B6	B5	B4	B3	B2	B1
GND	RX1+	RX1-	VBUS	SBU2	D-	D+	CC2	VBUS	TX2-	TX2+	GND
First	Second	Second	First	Second	Second	Second	Second	First	Second	Second	First

1	COVER SHELL	STAINLESS STEEL	304 Ni PLATED
2	SHELL	STAINLESS STEEL	304 Ni PLATED
3	EMI SHELL	STAINLESS STEEL	304 Ni PLATED
4	MID PLATE	STAINLESS STEEL	301 Ni PLATED
5	HOUSING	HIGH TEMPERATURE PLASTIC	PA46 BLACK UL 94 V-0
6	TERMINALS	COPPER ALLOY C18140	AU PLATING ON CONTACT AREA TWO-SIDED
7	WATERPROOF RING	SILICA GEL	BLACK
8	GLUE	SILICA GEL	BLACK(MicroCoat 423-06)
NO.	PARTS	MATERIAL	REMARKS

RECOMMENDED PCB LAYOUT
TOLERANCE:±0.05



SCALE: UNIT: mm
SIZE: A4

Title: Horizontal Type-c 24P Female
SMT CH=1.5 L=8.64mm

Unless otherwise
General Tolerance:
X. ±0.25
X.x ±0.20
X.xx ±0.15
X.xxx ±0.10
X° ±5°

Molde Code: GT-USB-7045B

DRAWN	CHECKED	APPROVED	DATE
Xia	Chen	Chen	2023.02.01



REV: A0 SHEET: 1/1