

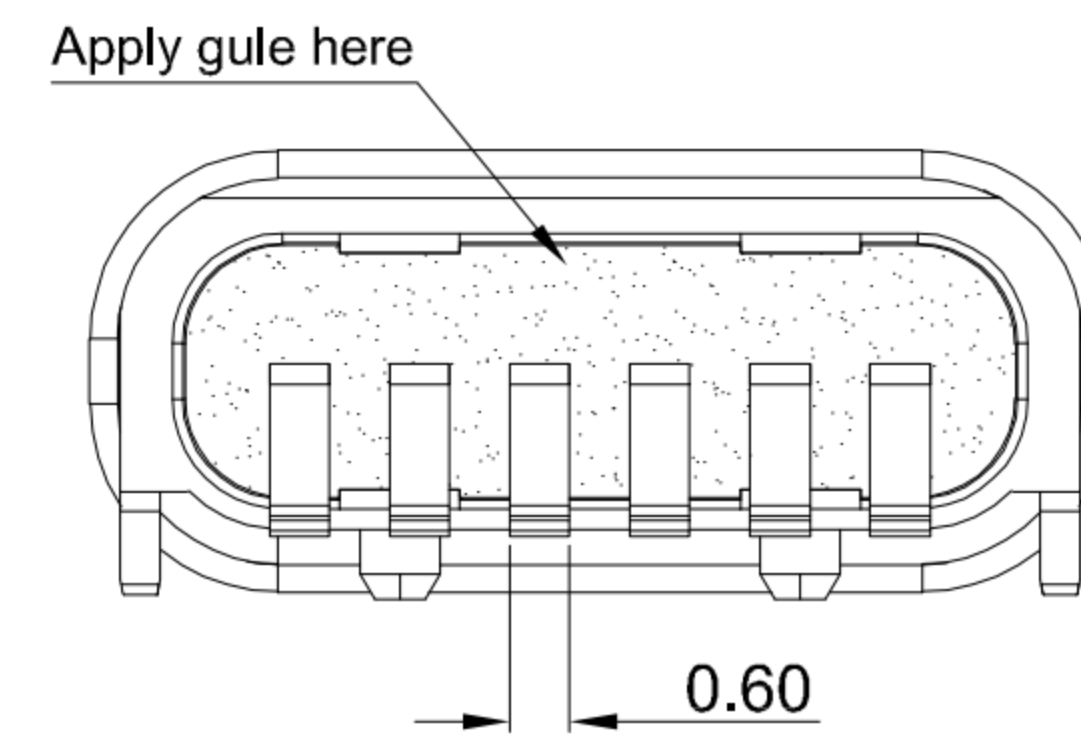
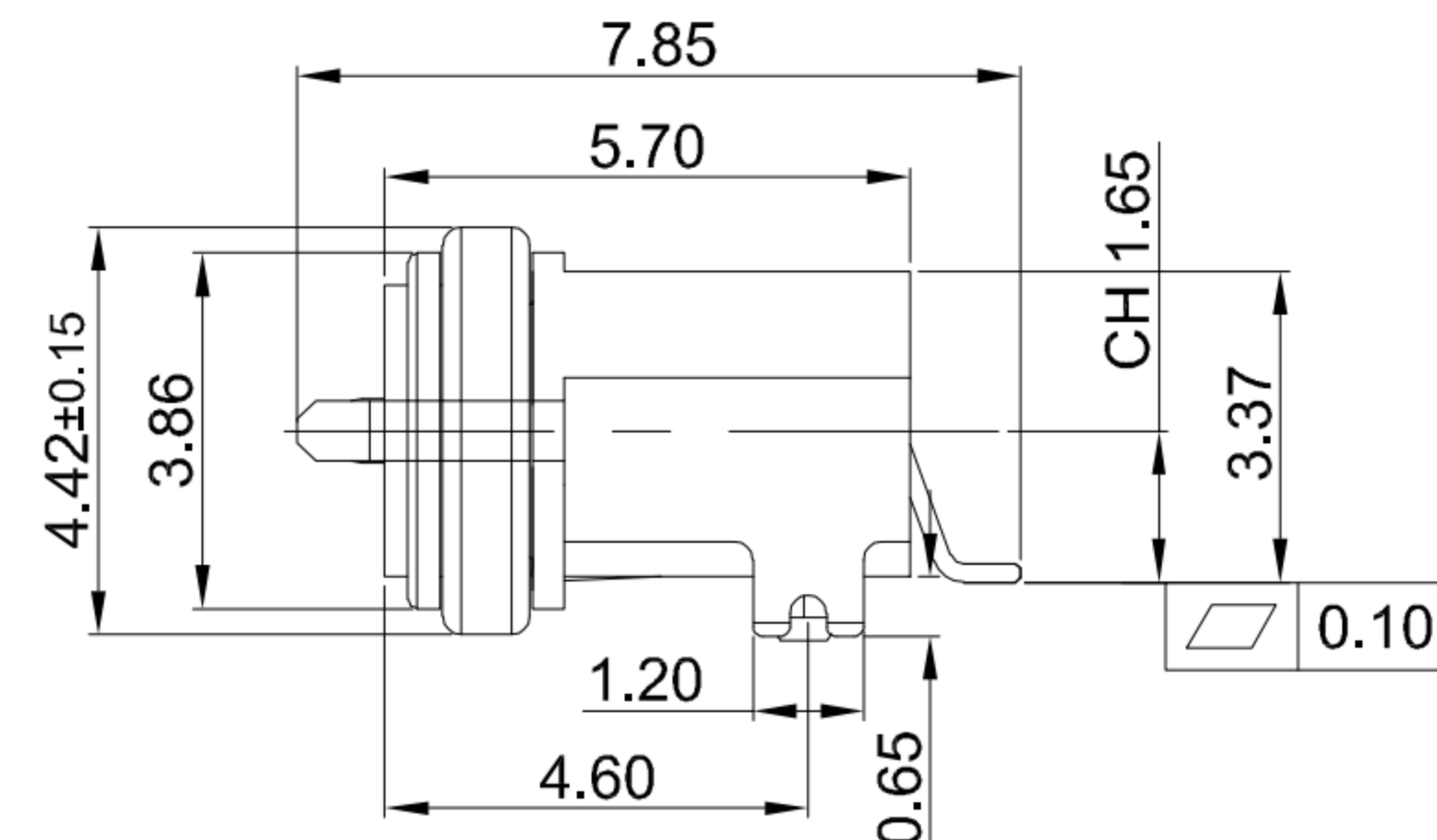
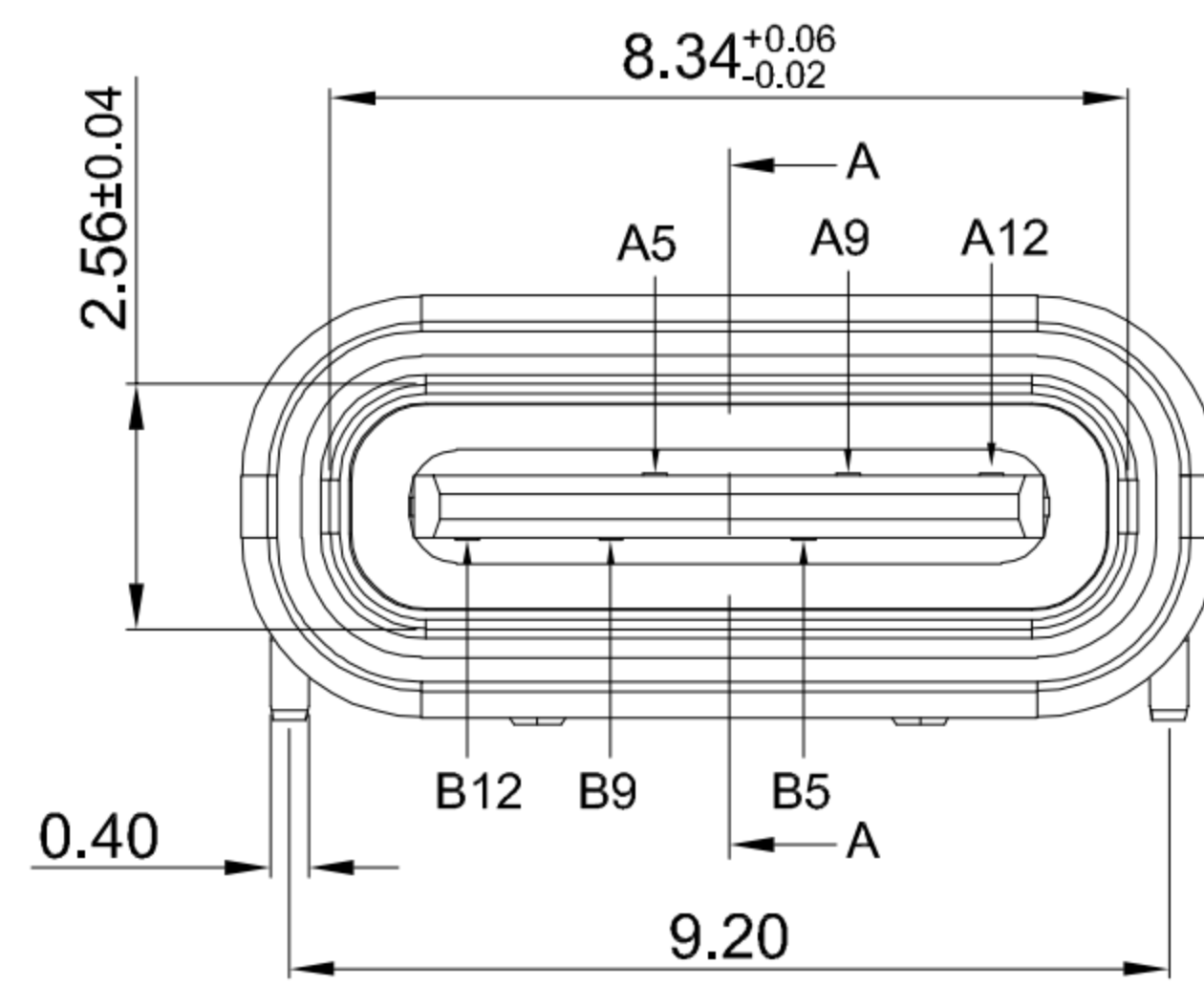
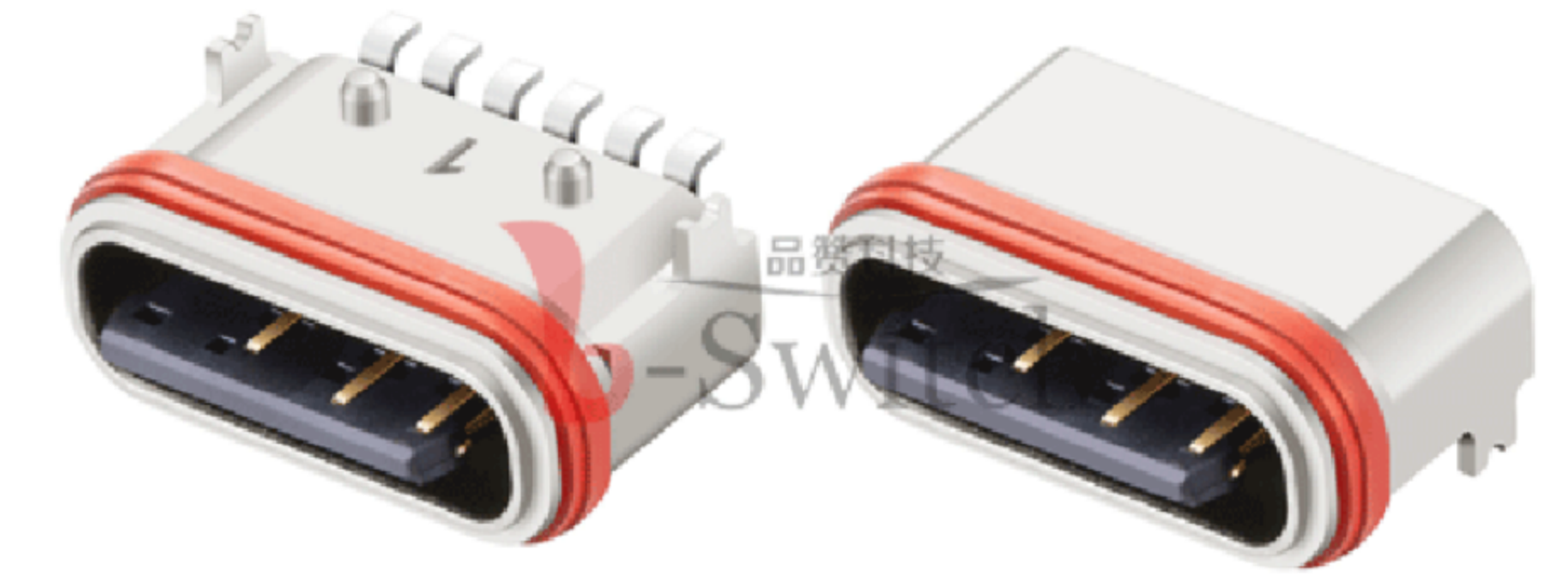
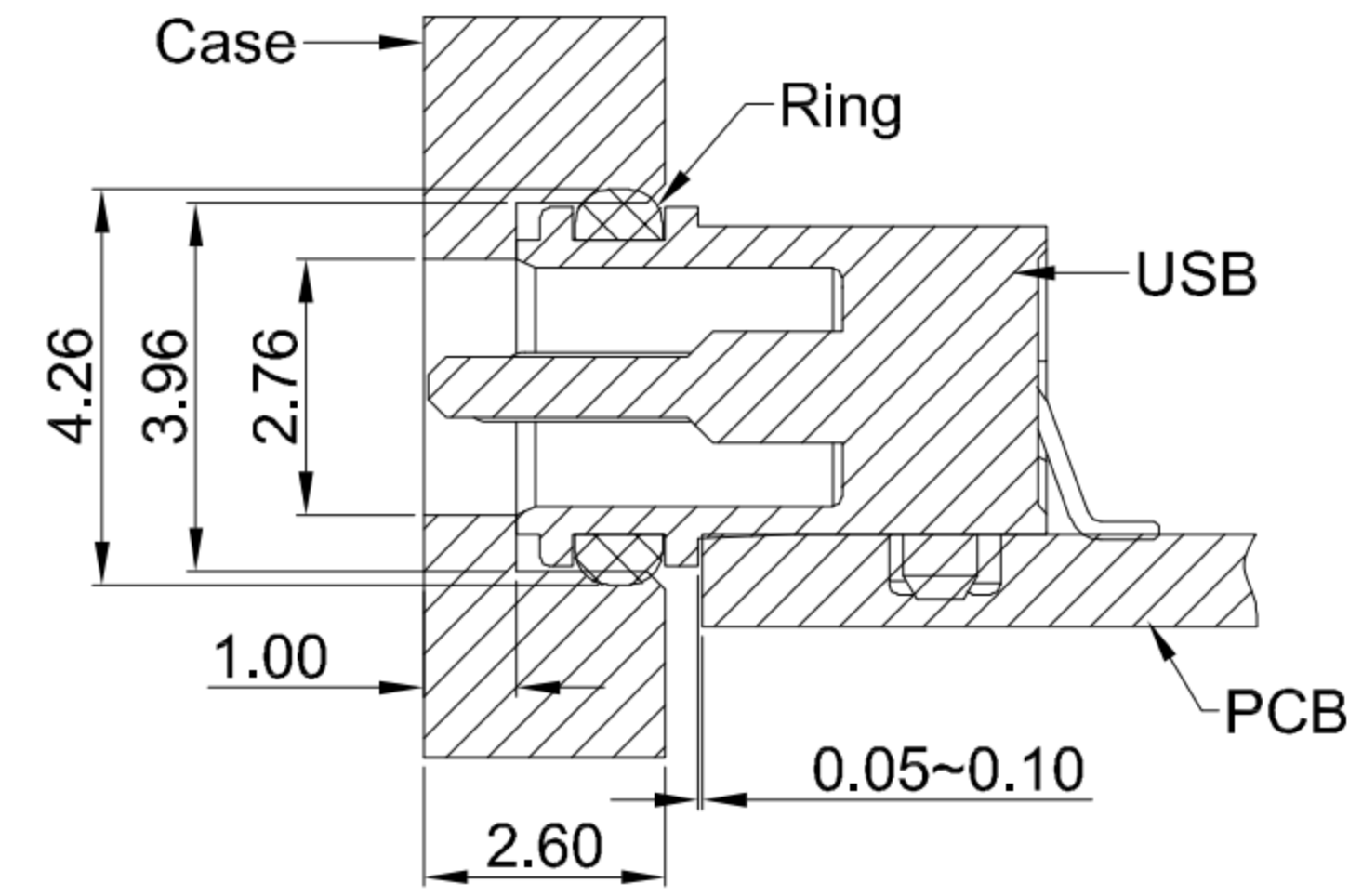
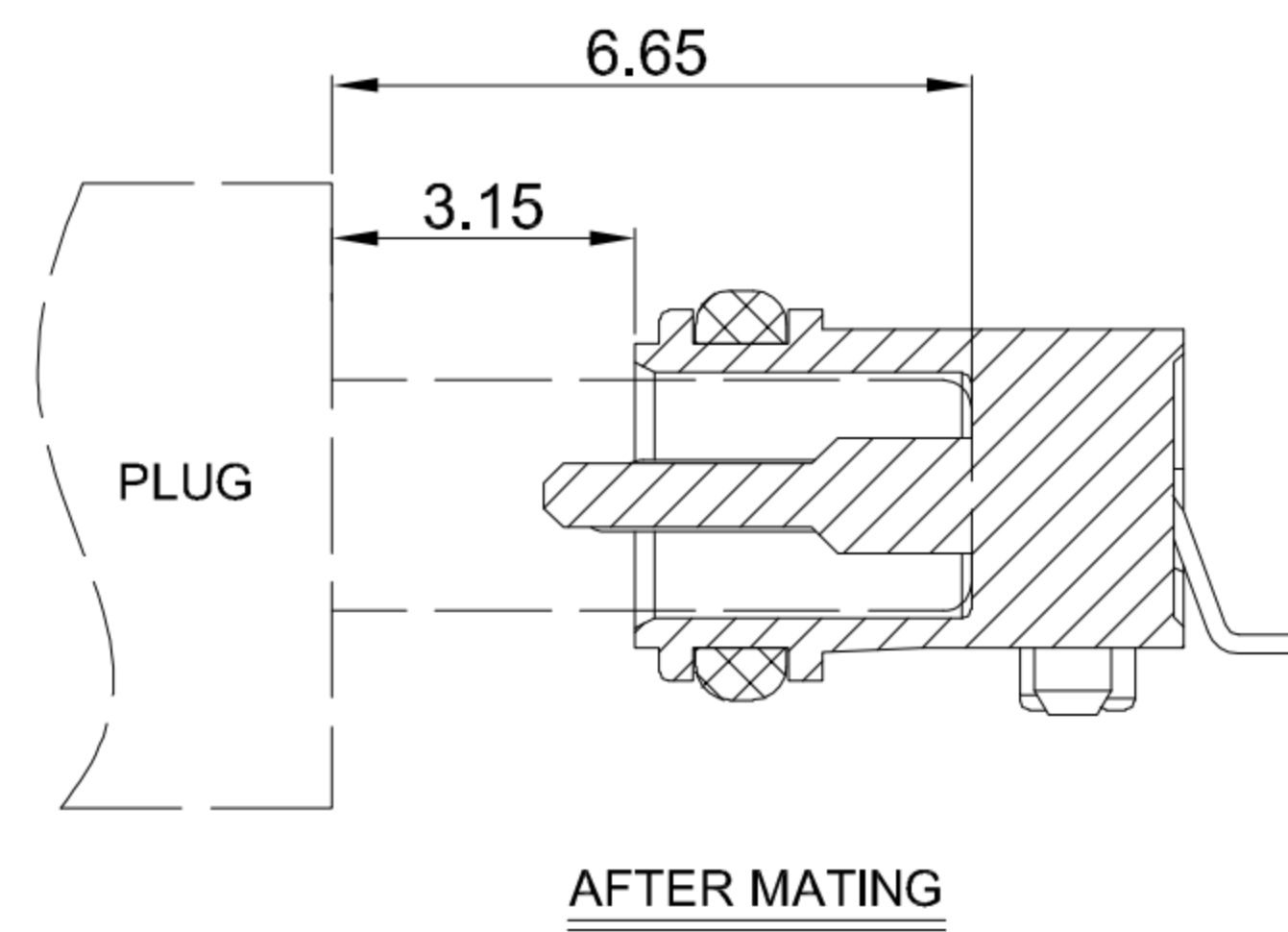
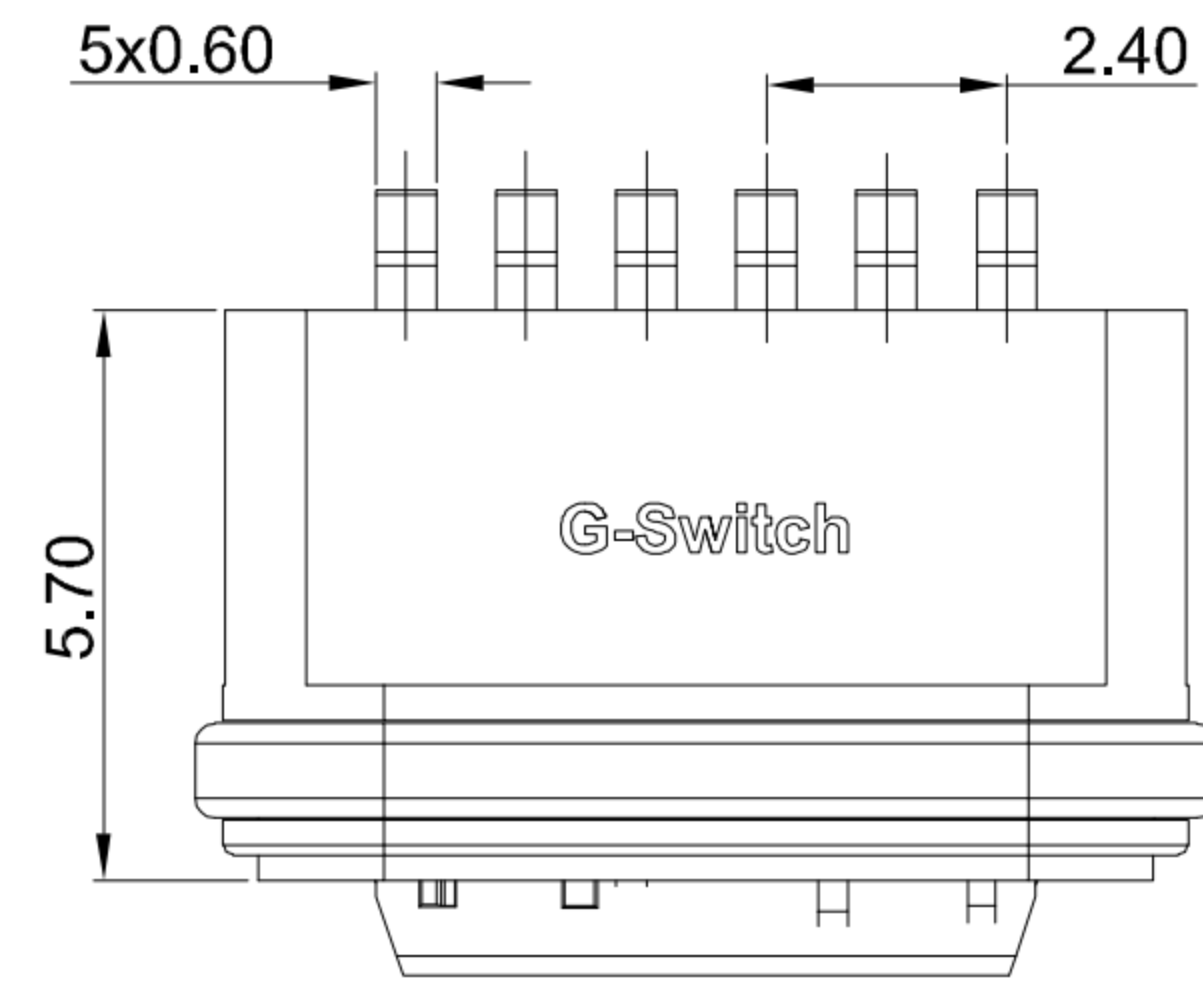
A

B

C

D

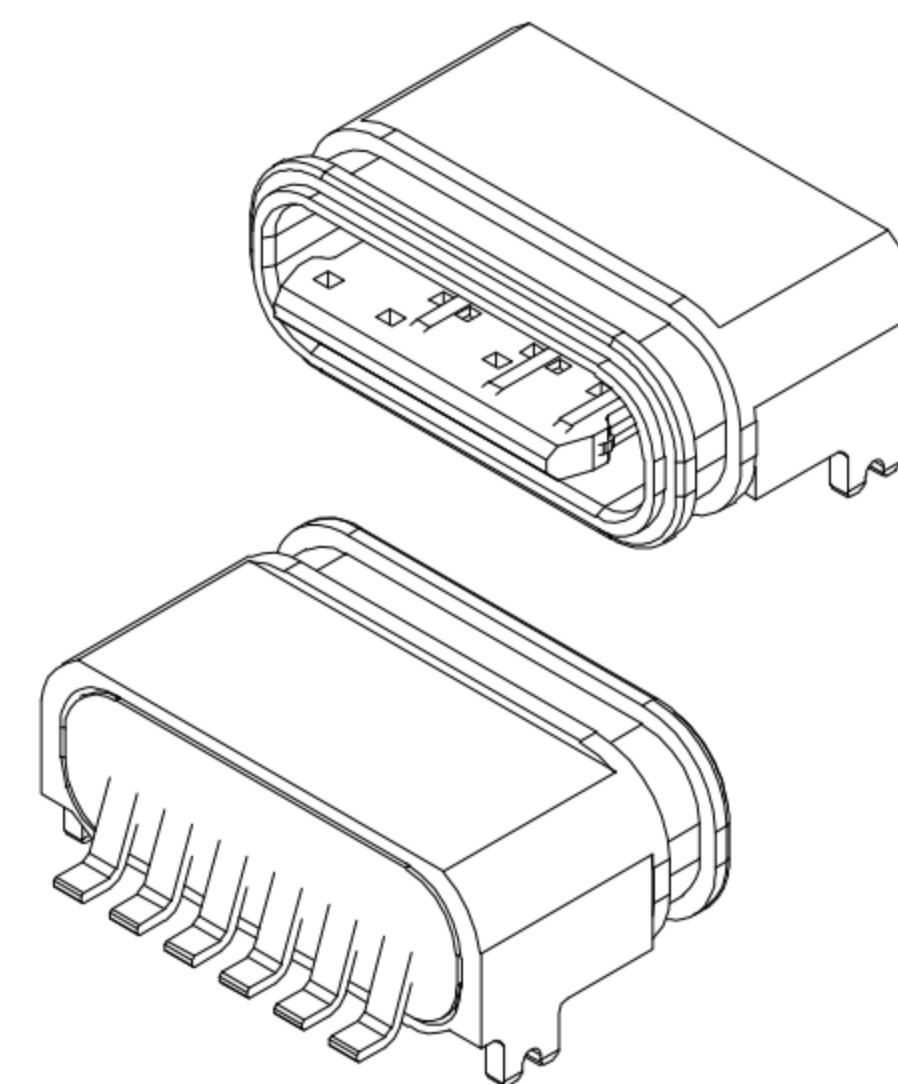
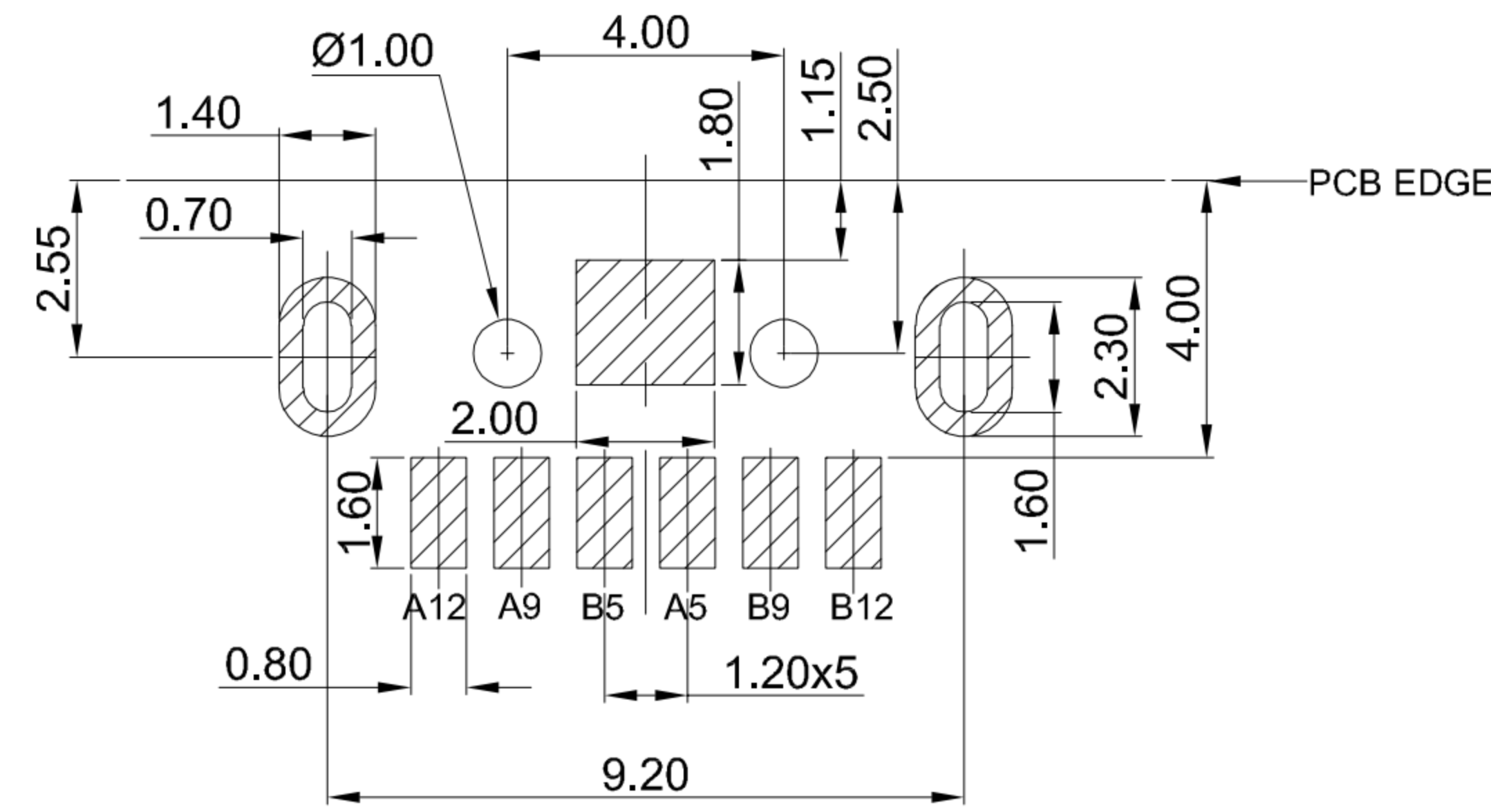
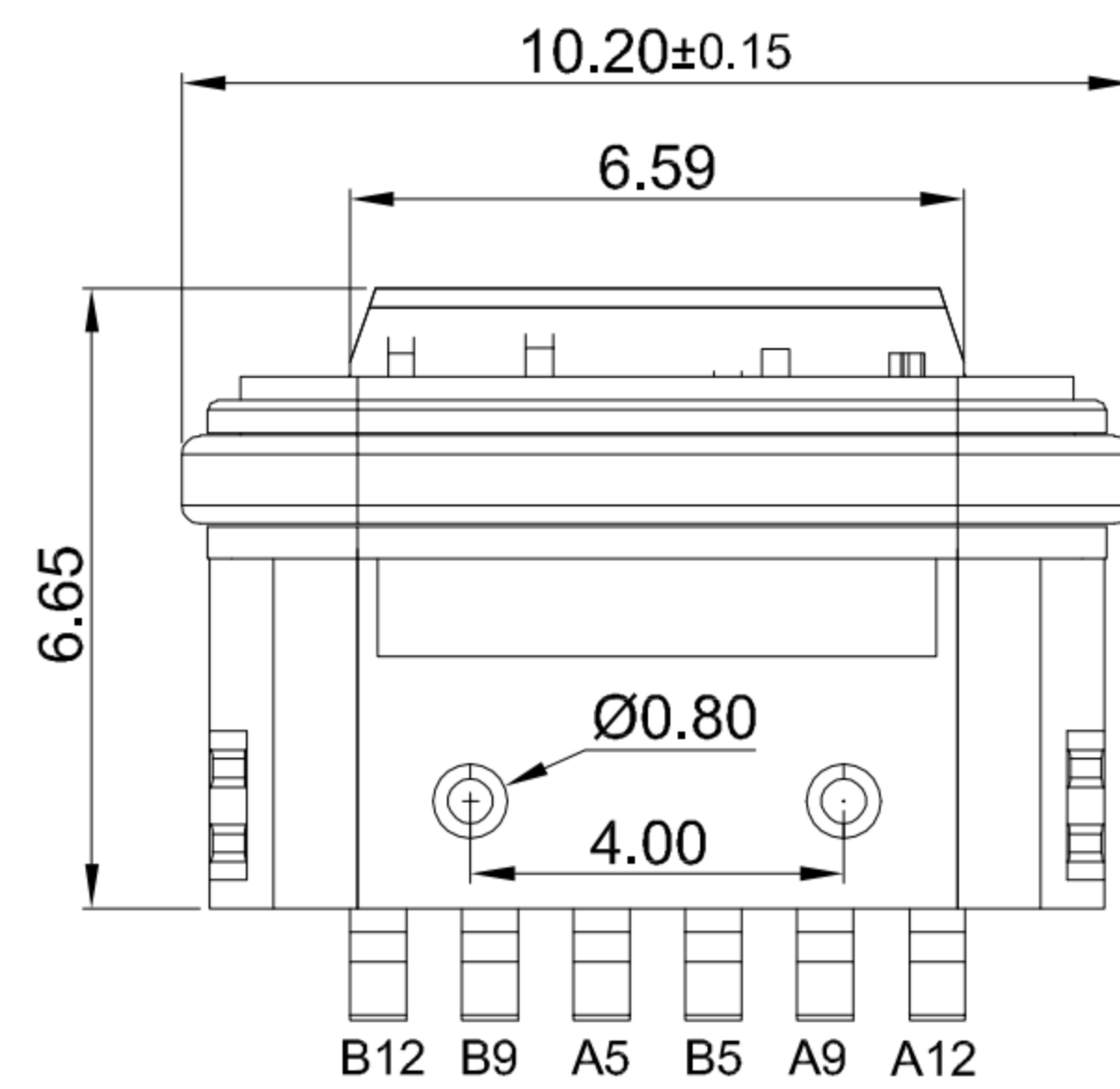
E



G-Switch USB-C Specification:

1. Current rated: 5A on Vbus/1.25A on Vconn/0.25A on other
2. Voltage rating: 24V AC
3. Withstanding voltage: 100V AC/minute
4. Contact Resistance: 40mΩ Max
5. Insulation Resistance: 100MΩ Min
6. Operating temperature: -40 °C ~ +85 °C
7. Mating force: 5N~20N
8. Unmating force: 8N~20N
9. Durability Cycle: 10,000 Cycles
10. Waterproof Grade: IP-X7.
11. Salt spray test: 96H

A1	A2	A3	A4	A5	A6	A7	A8	A9	A10	A11	A12
				CC1				VBUS			GND
				Second				First			First
B12	B11	B10	B9	B8	B7	B6	B5	B4	B3	B2	B1
GND			VBUS				CC2				
First			First				Second				



RECOMMENDED PCB LAYOUT
TOLERANCE: ±0.05



SCALE: 4:1 UNIT: mm
SIZE: A4

Title: Horizontal Type-c 6P Female
SMT CH=1.65 L=5.7mm

Unless otherwise
General Tolerance:
X. ±0.25
X.x ±0.20
X.xx ±0.15
X.xxx ±0.10
X° ±5°

Molde Code: GT-USB-7049A

DRAWN	CHECKED	APPROVED	DATE
Xia	Chen	Chen	2022.11.08



REV: A0 SHEET: 1/1

1	WATERPROOF RING	SILICA GEL	RED
2	SHELL	ZINC ALLOY	NI PLATED
3	MID PLATE	STAINLESS STEEL	
4	HOUSING	HIGH TEMPERATURE PLASTIC	LCP BLACK UL 94 V-0
5	TERMINALS	COPPER ALLOY	Au PLATING ON CONTACT AREA
NO.	PARTS	MATERIAL	REMARKS

A

B

C

D

E