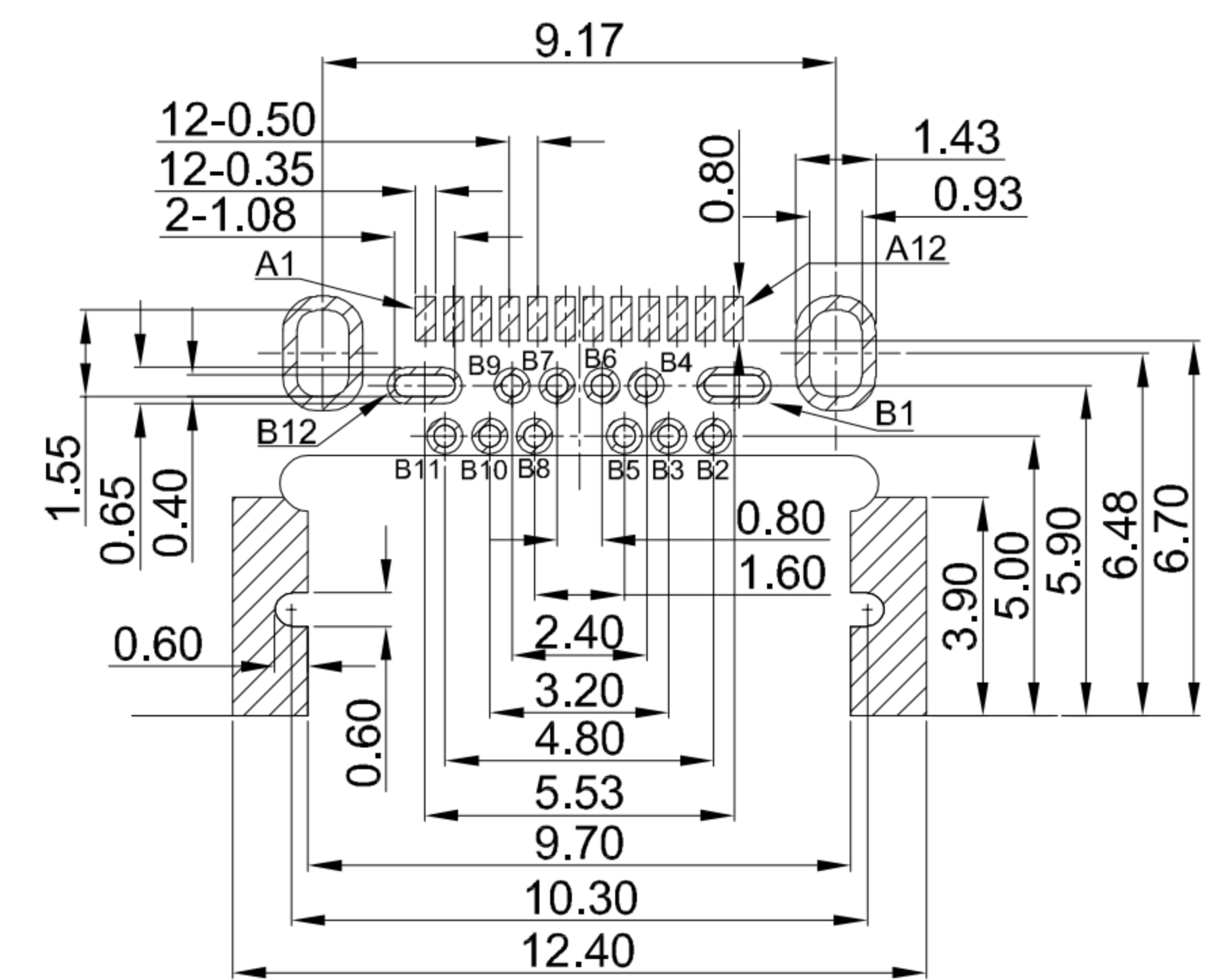
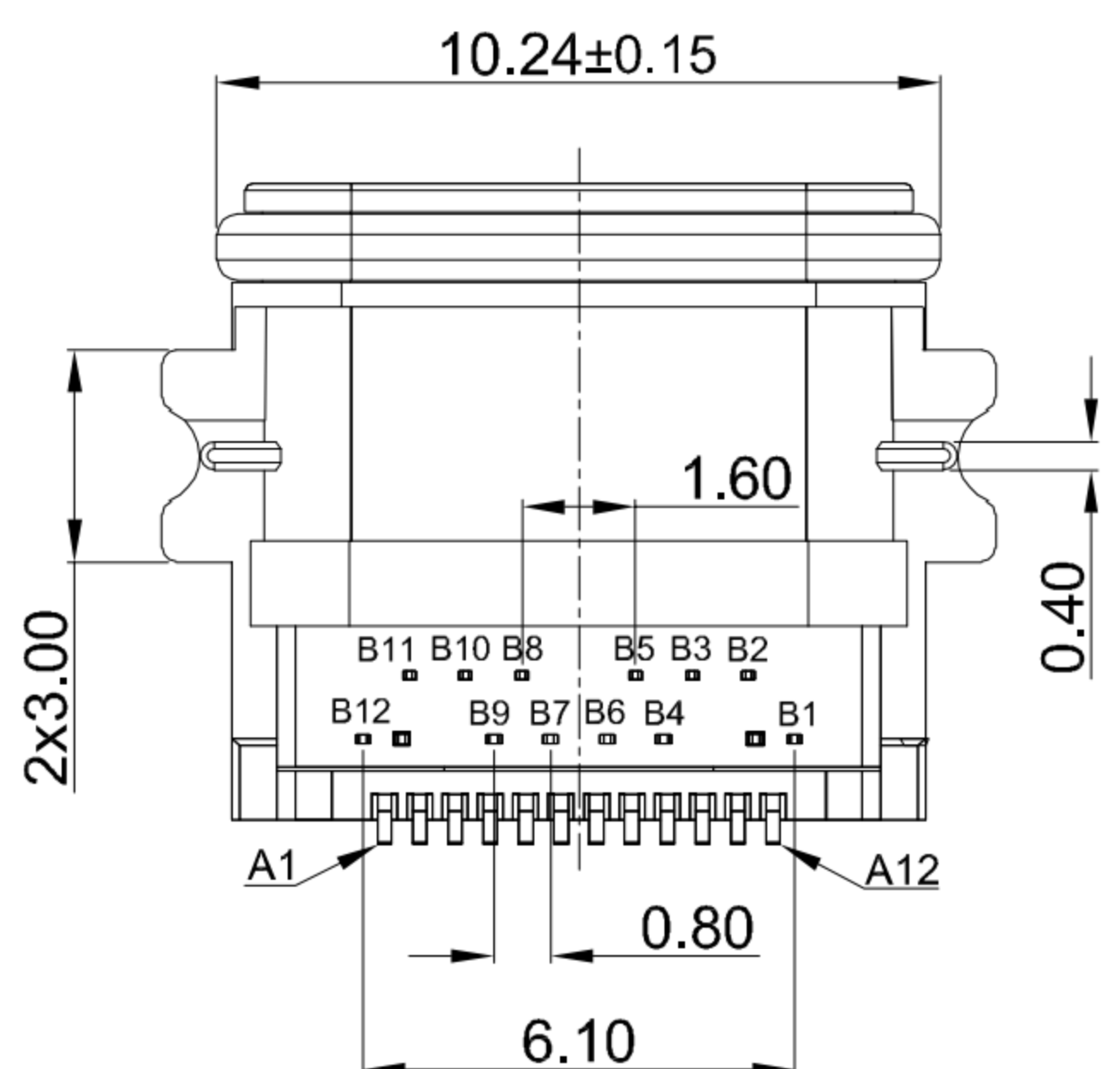


G-Switch USB-C Specification:

- 1.Current rated: 5A on Vbus/1.25A on Vconn/0.25A on other
Voltage rating: 24V AC
- 2.Withstanding voltage: 100V AC/minute
- 3.Contact Resistance: 40mΩ Max
- 4.Insulation Resistance: 100MΩ Min
- 5.Operating temperature: -40 °C ~ +85 °C
- 6.Mating force: 5N~20N
- 7.Unmating force: 8N~20N
- 8.Durability Cycle: 10,000 Cycles
- 9.Data transmission rate up to 5Gbp/s
- 10.Waterproof Grade: IP-X7.



A1	A2	A3	A4	A5	A6	A7	A8	A9	A10	A11	A12
GND	TX1+	TX1-	VBUS	CC1	D+	D-	SBU1	VBUS	RX2-	RX2+	GND
First	Second	Second	First	Second	Second	Second	Second	First	Second	Second	First

B12	B11	B10	B9	B8	B7	B6	B5	B4	B3	B2	B1
GND	RX1+	RX1-	VBUS	SBU2	D-	D+	CC2	VBUS	TX2-	TX2+	GND
First	Second	Second	First	Second	Second	Second	Second	First	Second	Second	First

RECOMMENDED PCB LAYOUT
TOLERANCE:±0.05

1	HOUSING	HIGH TEMPERATURE PLASTIC	BLACK UL 94 V-0
2	TERMINALS	COPPER ALLOY	Au PLATING ON CONTACT AREA
3	SHELL	ZN-ALLOY	NI PLATED
4	GND PLANT	STAINLESS STEEL	NI PLATED
5	MID PLATE	STAINLESS STEEL	---
6	WATERPROOF RING	SILICA GEL	---
NO.	PARTS	MATERIAL	REMARKS



SCALE: 3:1 UNIT: mm
SIZE: A4
Unless otherwise General Tolerance:
X. ±0.25
X.x ±0.20
X.xx ±0.15
X.xxx ±0.10
Angles ±5°

Title: Horizontal Type-c 24P Female Sink1.0 CH=0.65 L=9.0mm
Molde Code: GT-USB-7062A
DRAWN: Xia CHECKED: Chen APPROVED: Chen DATE: 2022.12.06



REV: A0 SHEET: 1/2

A

B

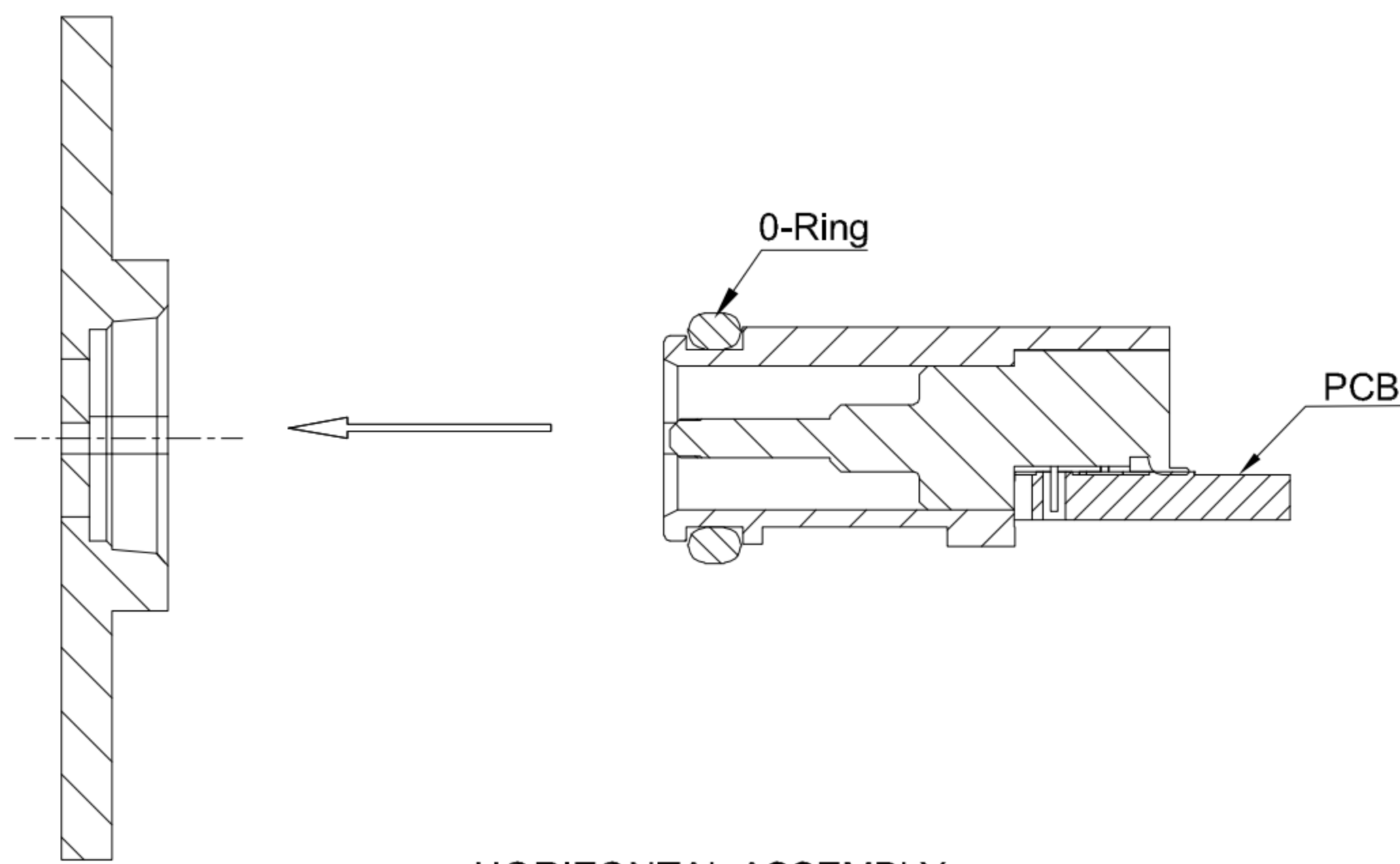
C

D

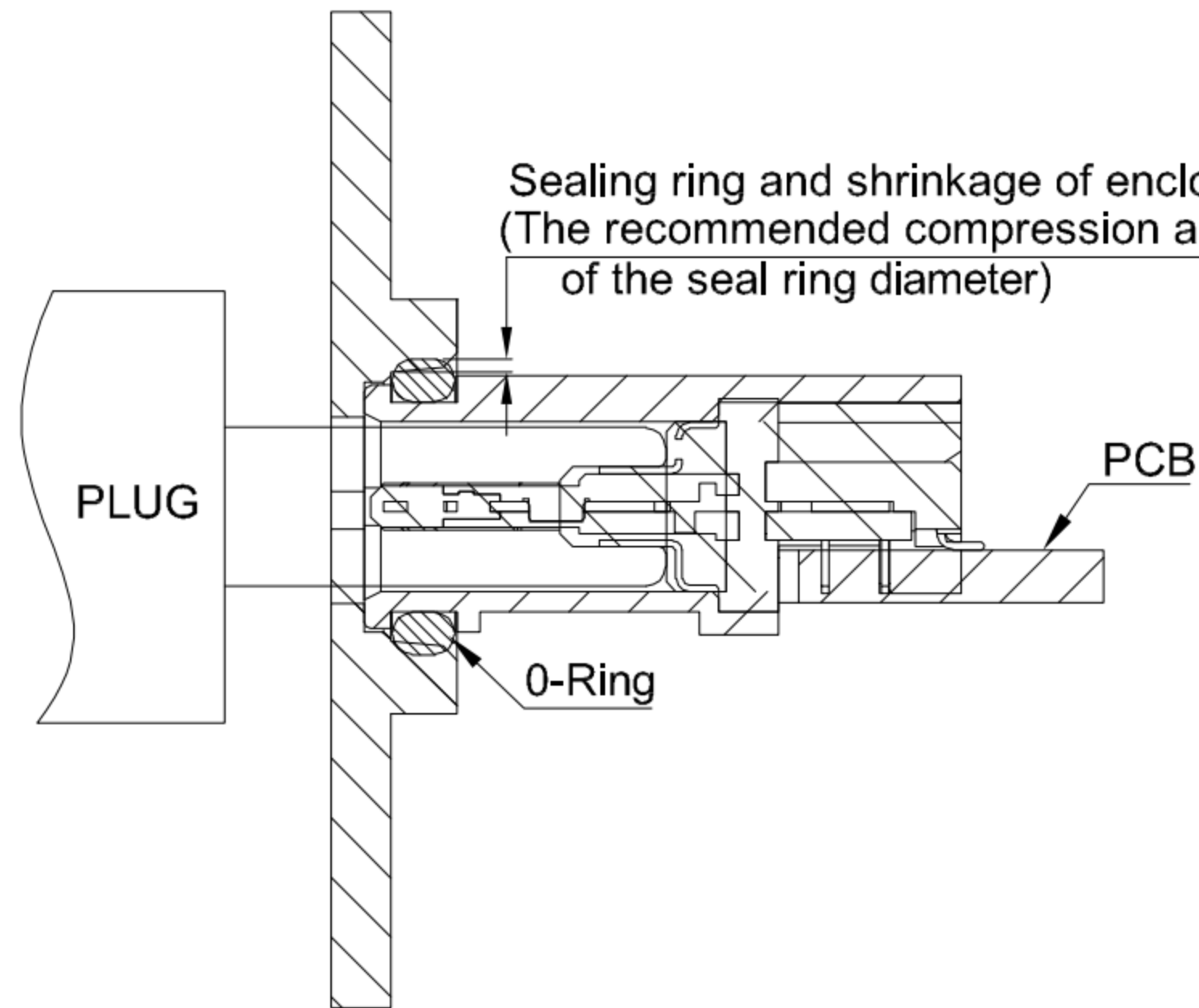
E

1

1



HORIZONTAL ASSEMBLY



COMPRESSION RATIO TO BE 30%-40% FOR REFERENCE ONLY

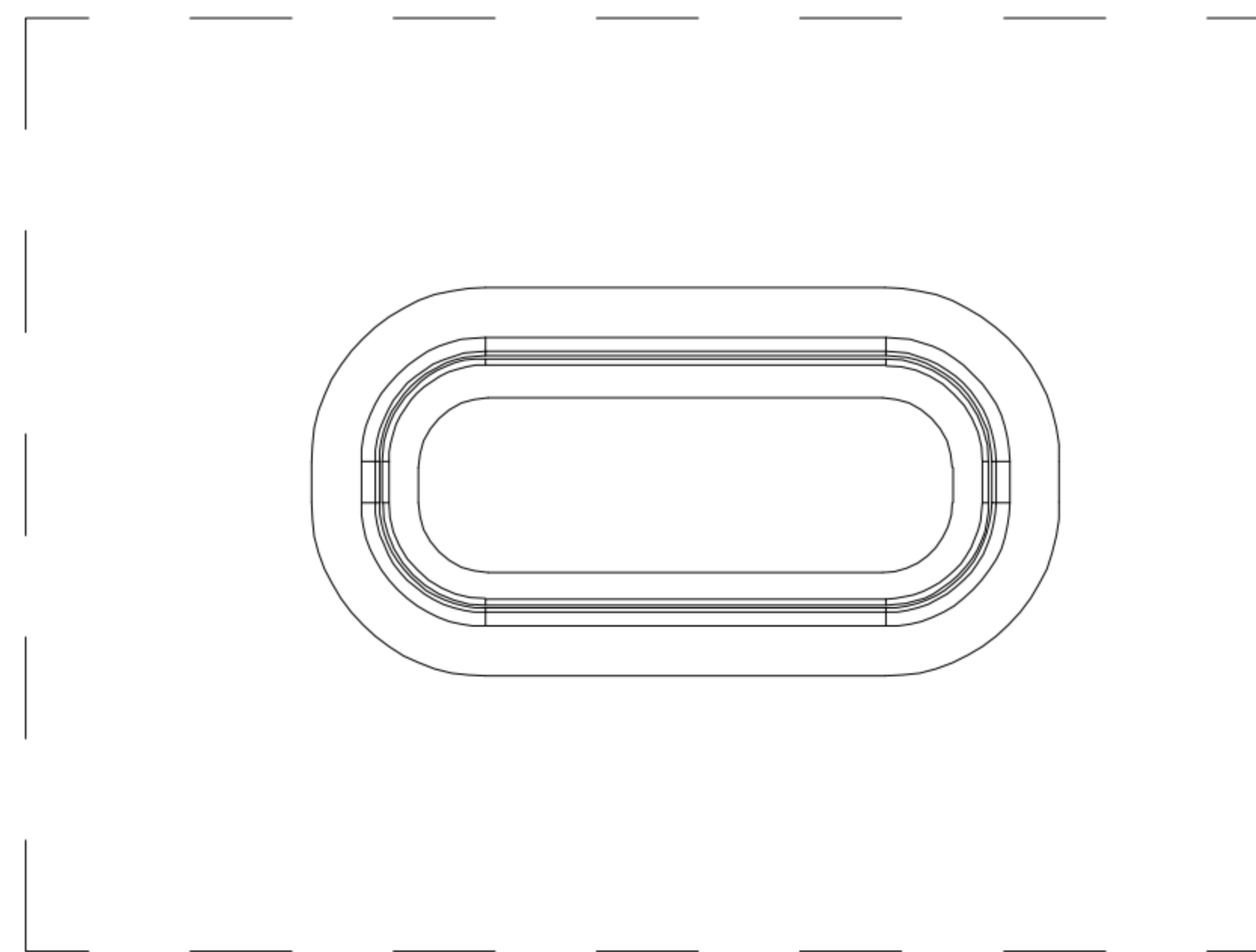
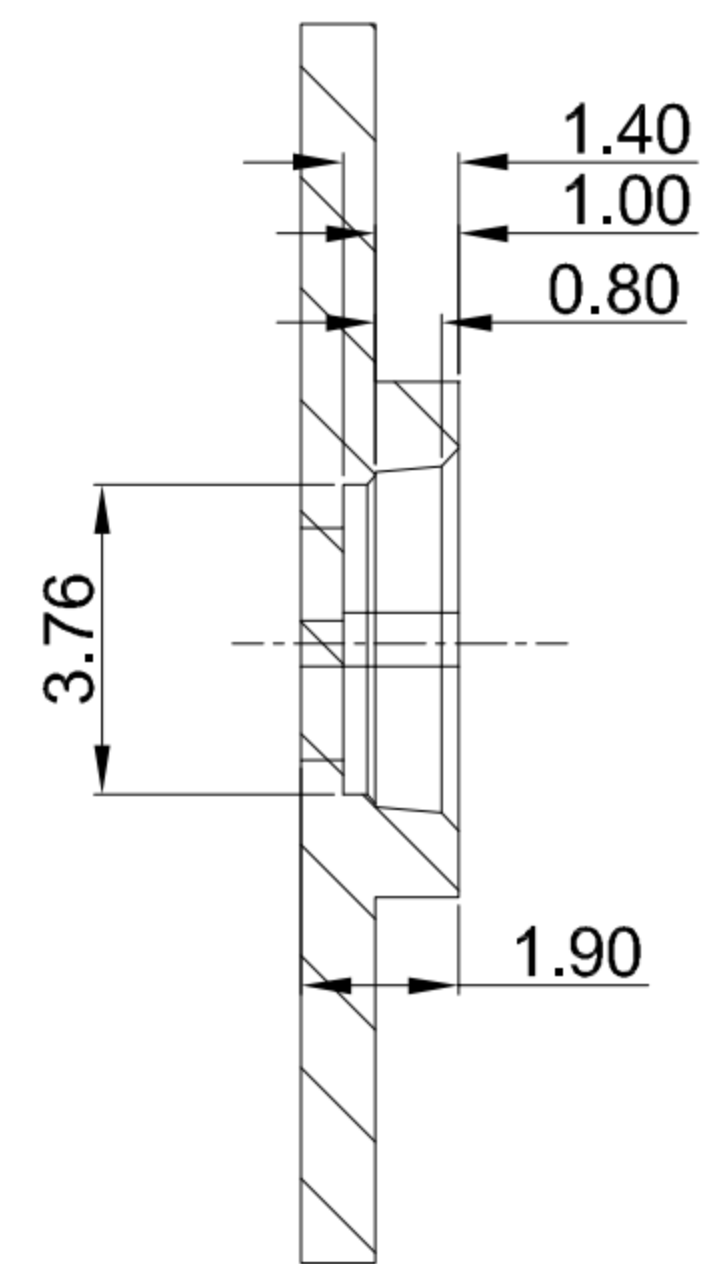
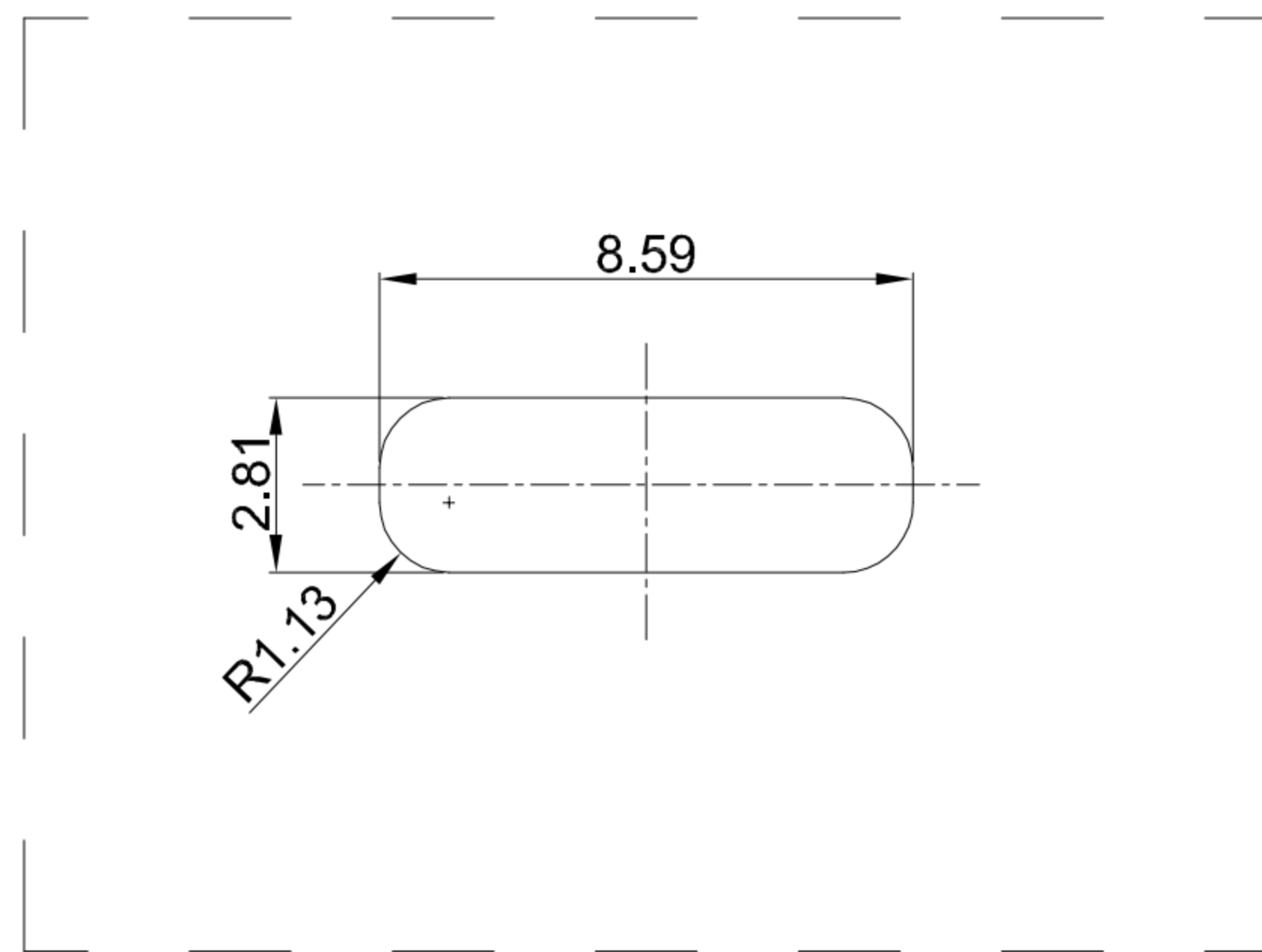


2

2

3

3



O-RING MATERIAL: SILICA GEL

4

4

RECOMMEND OPEN DIMENSION OF CASE TOLERANCE ±0.03mm

5

5



SCALE: 3:1 UNIT: mm
SIZE: A4

Title: Horizontal Type-c 24P Female Sinker1.0
CH=0.65 L=9.0mm Package drawing

Molde Code: GT-USB-7062A

Unless otherwise
General Tolerance:
X. ±0.25
X.x ±0.20
X.xx ±0.15
X.xxx ±0.10
Angles ±5°

DRAWN	CHECKED	APPROVED	DATE
Xia	Chen	Chen	2022.12.06



REV: A0 SHEET: 2/2

A

B

C

D

E