

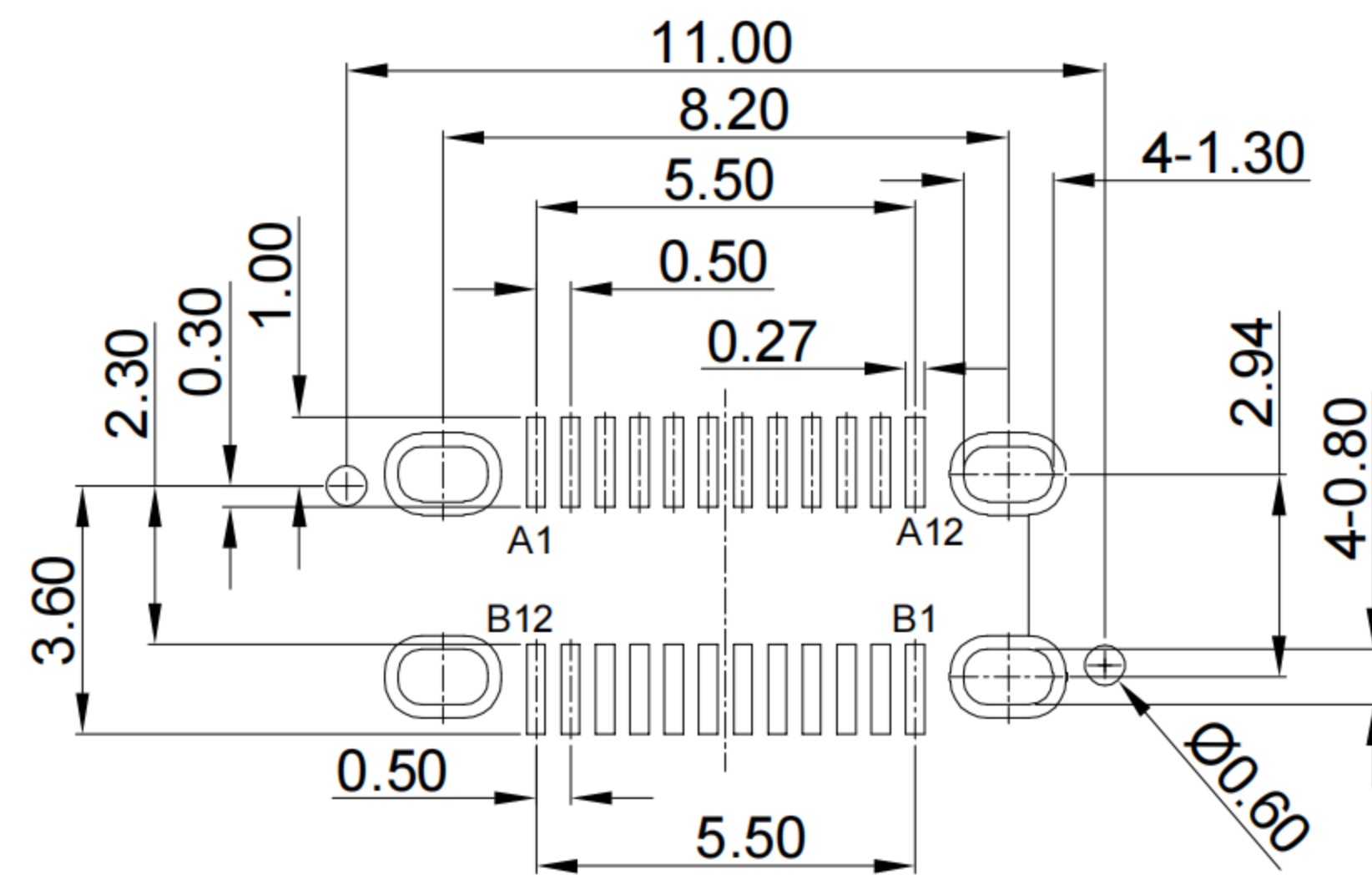
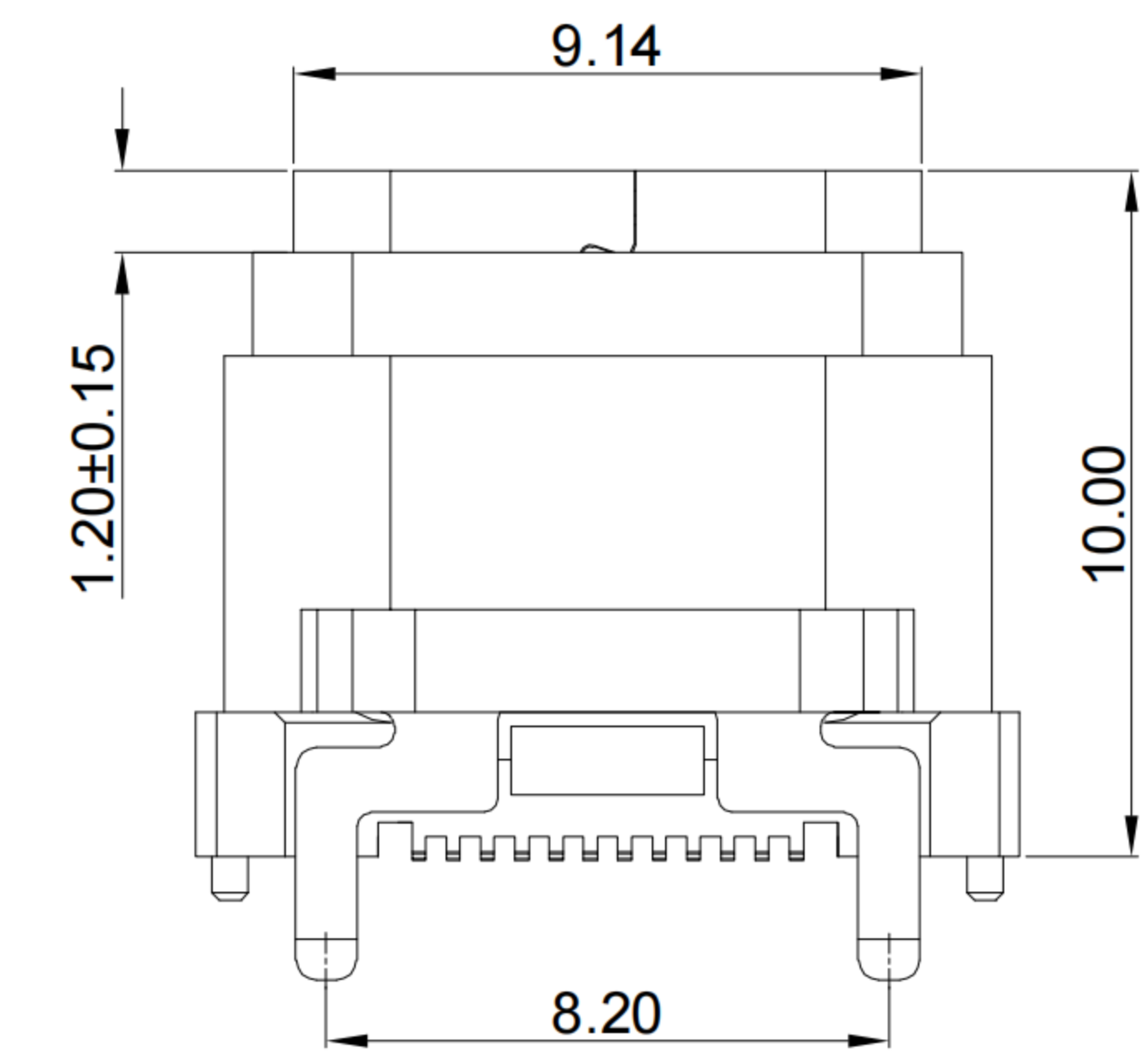
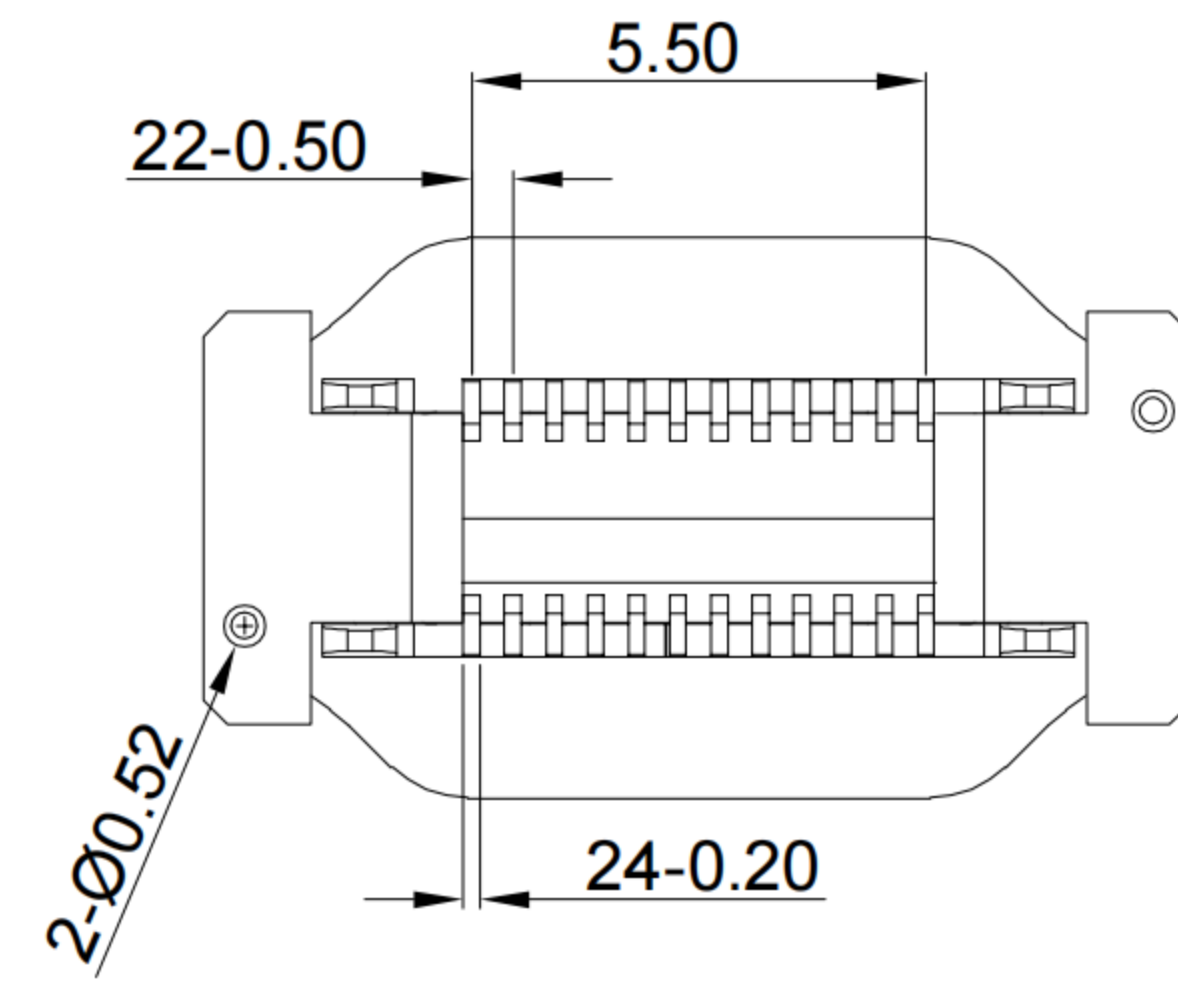
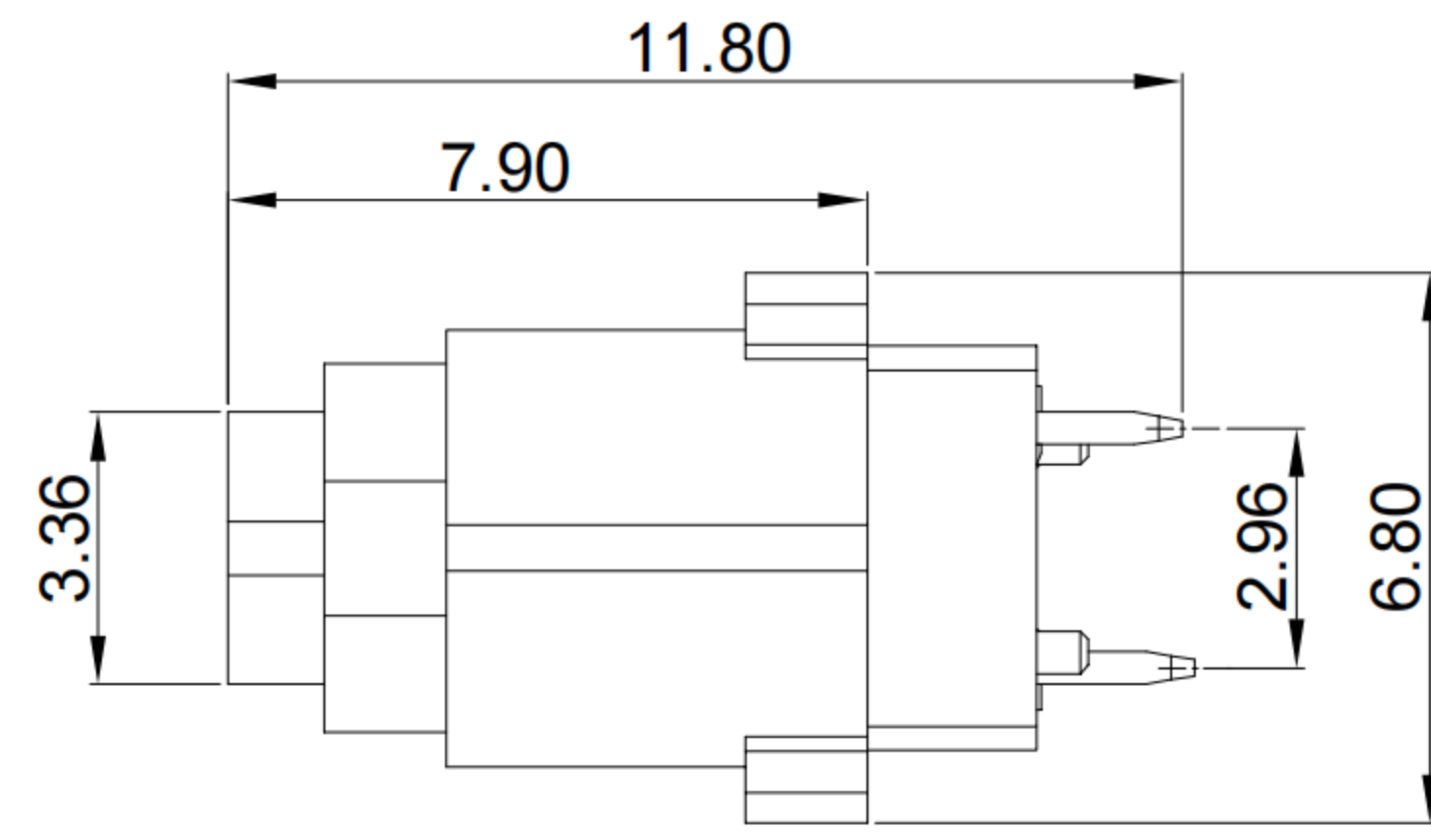
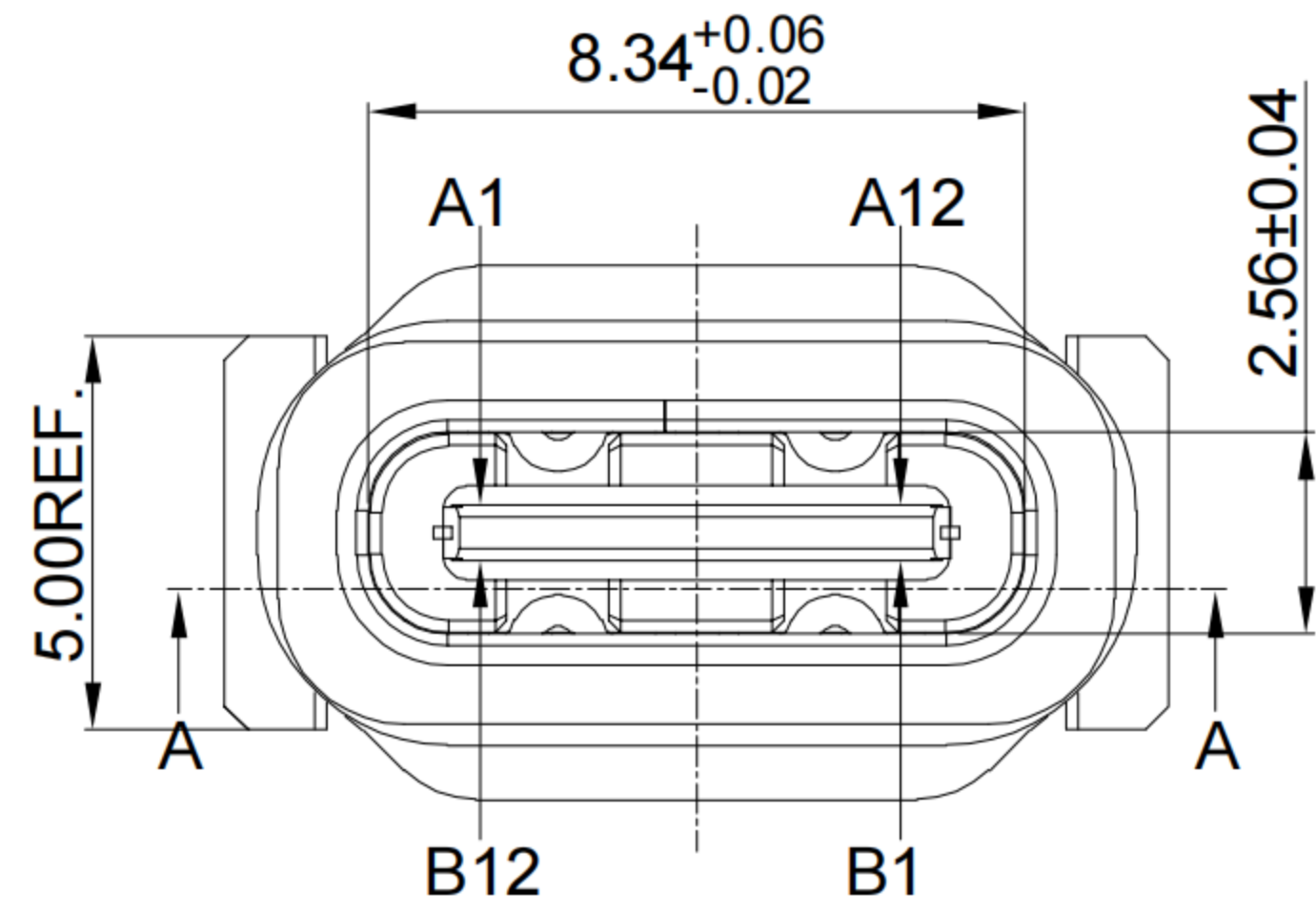
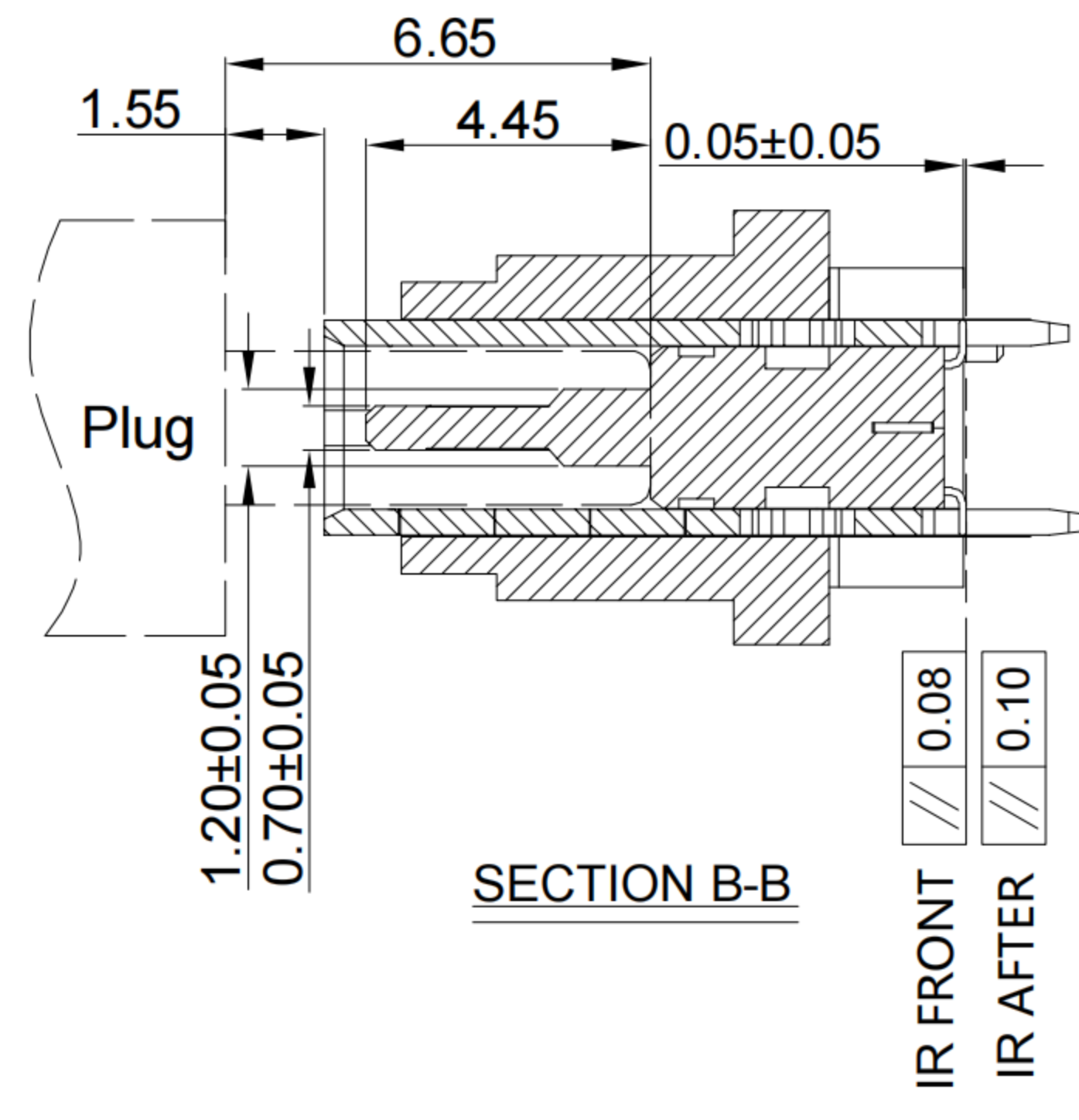
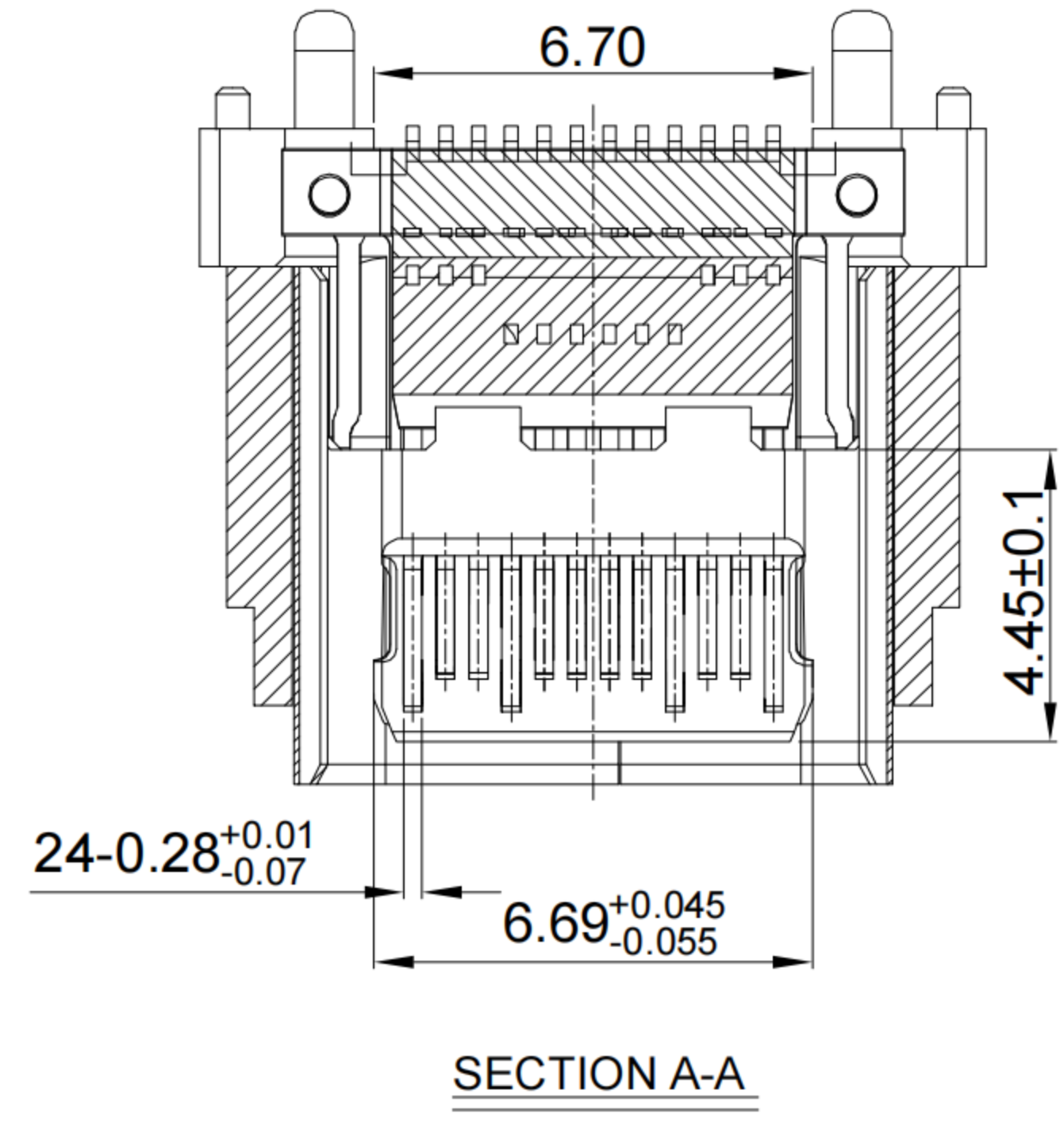
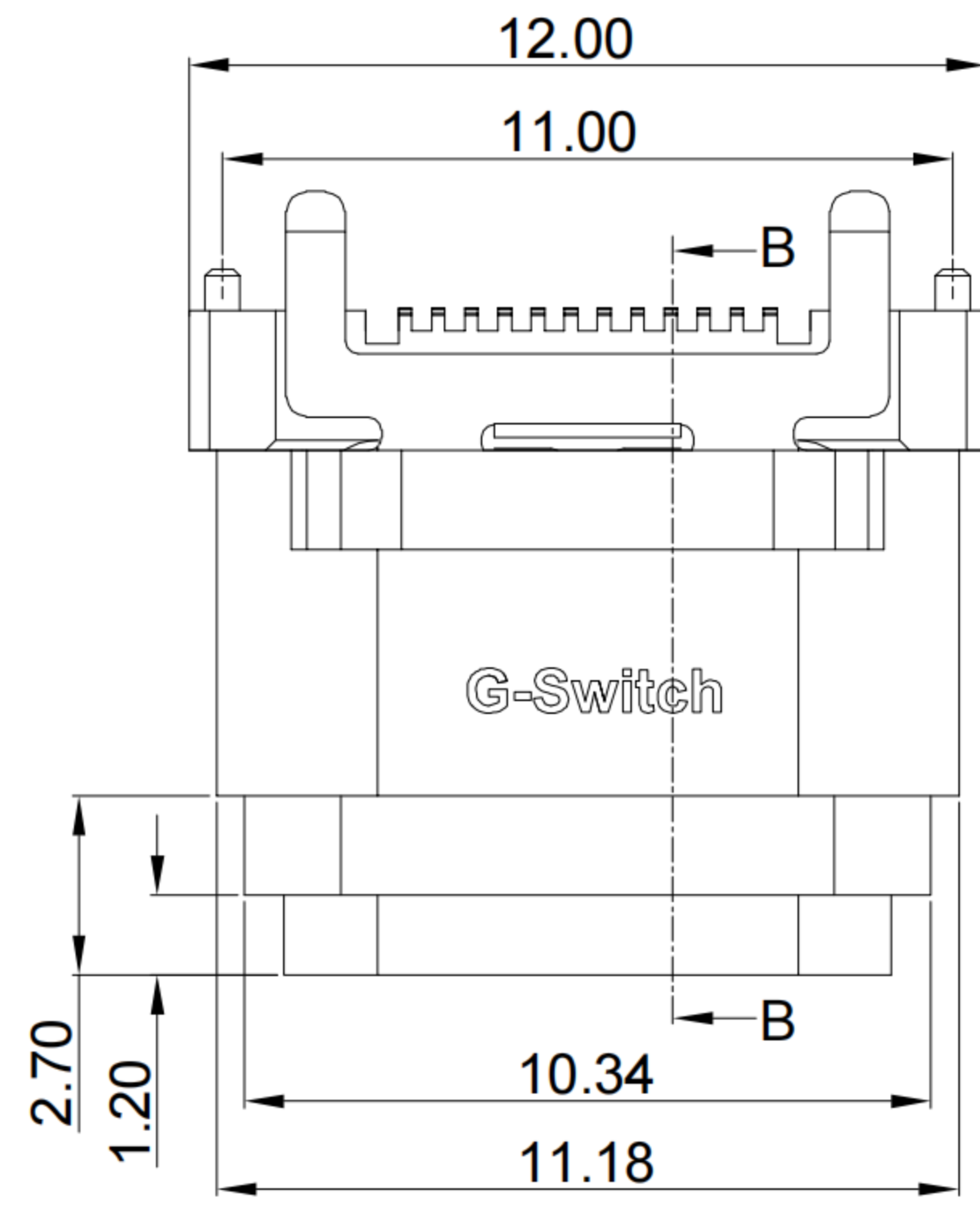
1

2

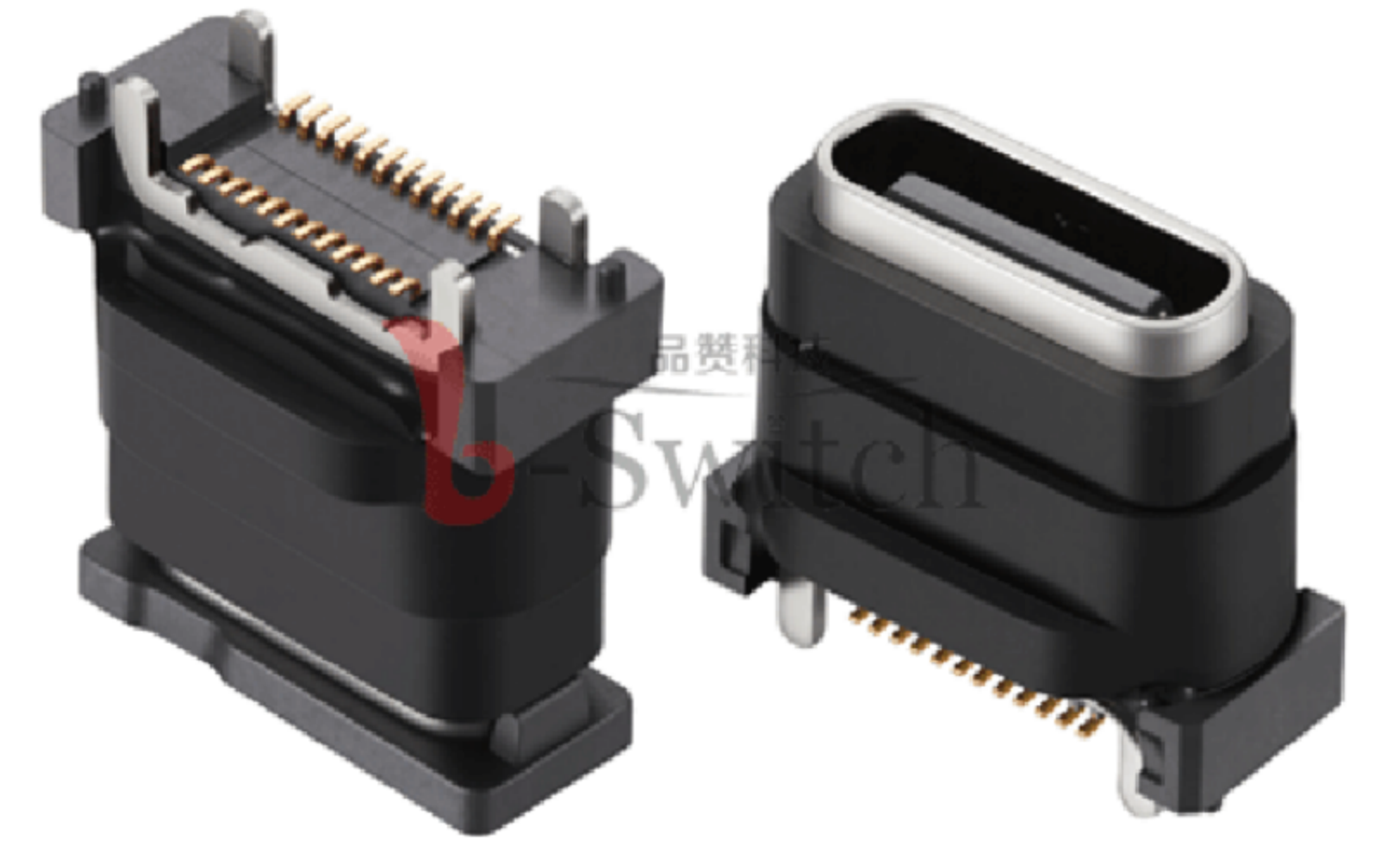
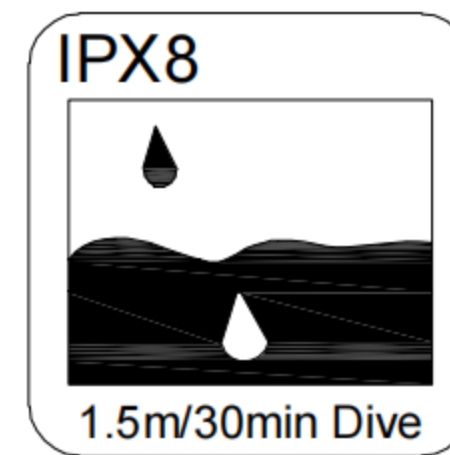
3

4

5



RECOMMENDED PCB LAYOUT
TOLERANCE ±0.05mm



G-Switch USB-C Specification:

1. Current rated: 5A on Vbus/1.25A on Vconn/0.25A on other
Voltage rating: 24V AC
2. Withstanding voltage: 100V AC/minute
3. Contact Resistance: 40mΩ Max
4. Insulation Resistance: 100MΩ Min
5. Operating temperature: -40 °C ~ +85 °C
6. Mating force: 5N~20N
7. Unmating force: 8N~20N
8. Durability Cycle: 10,000 Cycles
9. Data transmission rate up to 5Gbp/s
10. Waterproof Grade: IP-X8.

A1	A2	A3	A4	A5	A6	A7	A8	A9	A10	A11	A12
GND	TX1+	TX1-	VBUS	CC1	D+	D-	SBU1	VBUS	RX2-	RX2+	GND
First	Second	Second	First	Second	Second	Second	Second	First	Second	Second	First

B12	B11	B10	B9	B8	B7	B6	B5	B4	B3	B2	B1
GND	RX1+	RX1-	VBUS	SBU2	D-	D+	CC2	VBUS	TX2-	TX2+	GND
First	Second	Second	First	Second	Second	Second	Second	First	Second	Second	First

1	SHELL	STAINLESS STEEL	NI PLATED
2	MIDDLE PLATE	STAINLESS STEEL	--
3	HOUSING	HIGH TEMPERATURE PLASTIC	BLACK UL 94 V-0
4	TERMINALS	COPPER ALLOY	Au PLATING ON CONTACT AREA
5	CAP	HIGH TEMPERATURE PLASTIC	BLACK UL 94 V-0
NO.	PARTS	MATERIAL	REMARKS



SCALE: 3:1	UNIT: mm	Title: Vertical Type-c 24P Female SMT H=10.0mm	
SIZE: A4		Molde Code: GT-USB-7096B	
Unless otherwise General Tolerance:		DRAWN	CHECKED
X.x	±0.30	Xia	Chen
X.xx	±0.20		
X.xxx	±0.10		
X.x°	±3°		
X.xx°	±2°		
		APPROVED	DATE
		Chen	2023.02.01



REV: A0 SHEET: 1/2

A B C D E

1
2
3
4
5

Schematic diagram of adding water-proof ring

Schematic diagram of adding CAP

G-Switch USB-C Specification:

- Current rated: 5A on Vbus/1.25A on Vconn/0.25A on other
Voltage rating: 24V AC
- Withstanding voltage: 100V AC/minute
- Contact Resistance: 40mΩ Max
- Insulation Resistance: 100MΩ Min
- Operating temperature: -40 °C ~ +85 °C
- Mating force: 5N~20N
- Unmating force: 8N~20N
- Durability Cycle: 10,000 Cycles
- Data transmission rate up to 5Gbp/s
- Waterproof Grade: IP-X8.

A1	A2	A3	A4	A5	A6	A7	A8	A9	A10	A11	A12
GND	TX1+	TX1-	VBUS	CC1	D+	D-	SBU1	VBUS	RX2-	RX2+	GND
First	Second	Second	First	Second	Second	Second	Second	First	Second	Second	First

B12	B11	B10	B9	B8	B7	B6	B5	B4	B3	B2	B1
GND	RX1+	RX1-	VBUS	SBU2	D-	D+	CC2	VBUS	TX2-	TX2+	GND
First	Second	Second	First	Second	Second	Second	Second	First	Second	Second	First

1	SHELL	STAINLESS STEEL	NI PLATED
2	MIDDLE PLATE	STAINLESS STEEL	--
3	HOUSING	HIGH TEMPERATURE PLASTIC	BLACK UL 94 V-0
4	TERMINALS	COPPER ALLOY	Au PLATING ON CONTACT AREA
5	CAP	HIGH TEMPERATURE PLASTIC	BLACK UL 94 V-0
NO.	PARTS	MATERIAL	REMARKS

SCALE: 3:1 UNIT: mm

SIZE: A4

Unless otherwise General Tolerance:

X.x	±0.30
X.xx	±0.20
X.xxx	±0.10
X.x°	±3°
X.xx°	±2°

Title: Vertical Type-c 24P Female SMT H=10.0mm

Molde Code: GT-USB-7096B

DRAWN	CHECKED	APPROVED	DATE
Xia	Chen	Chen	2023.02.01

REV: A0 SHEET: 2/2