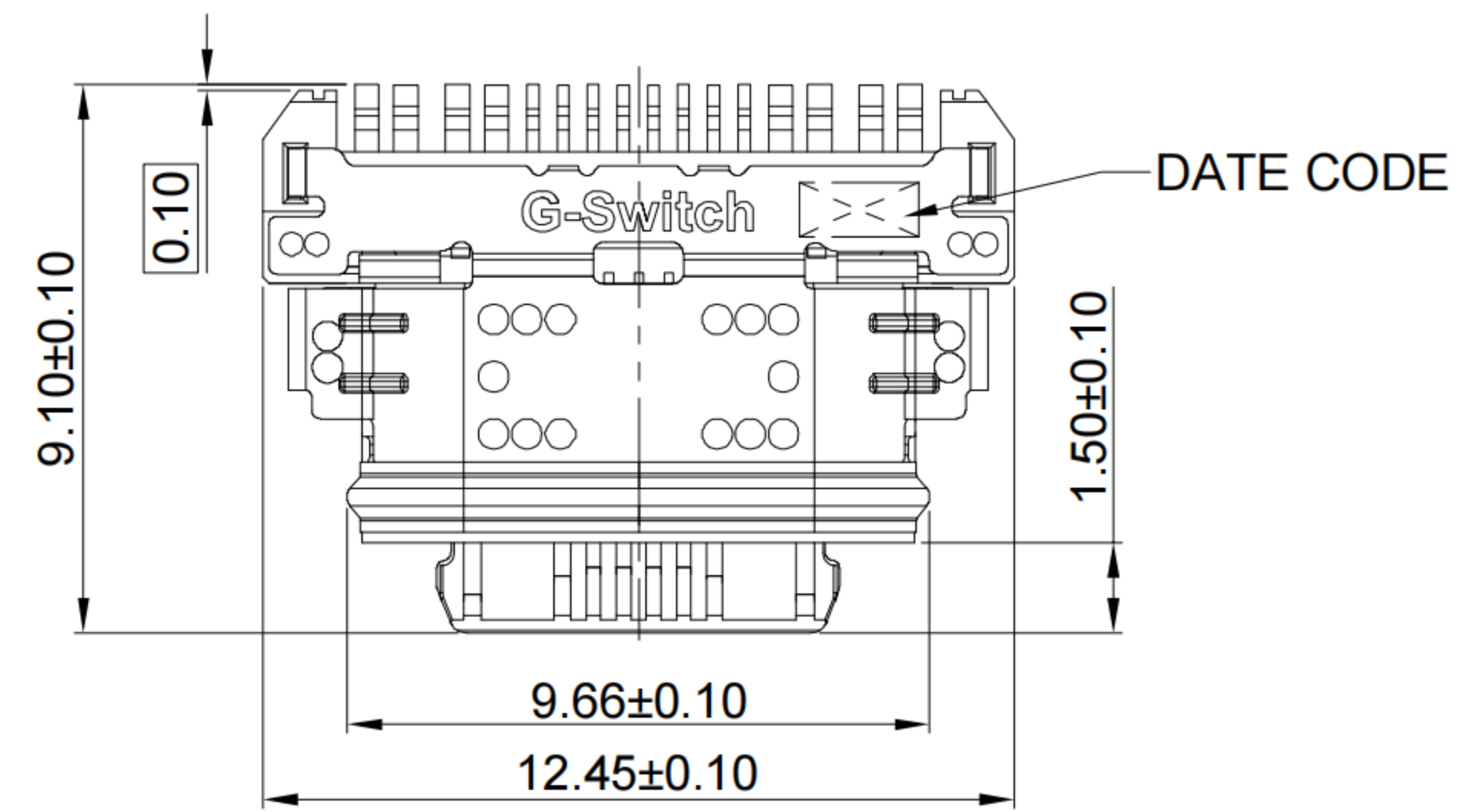
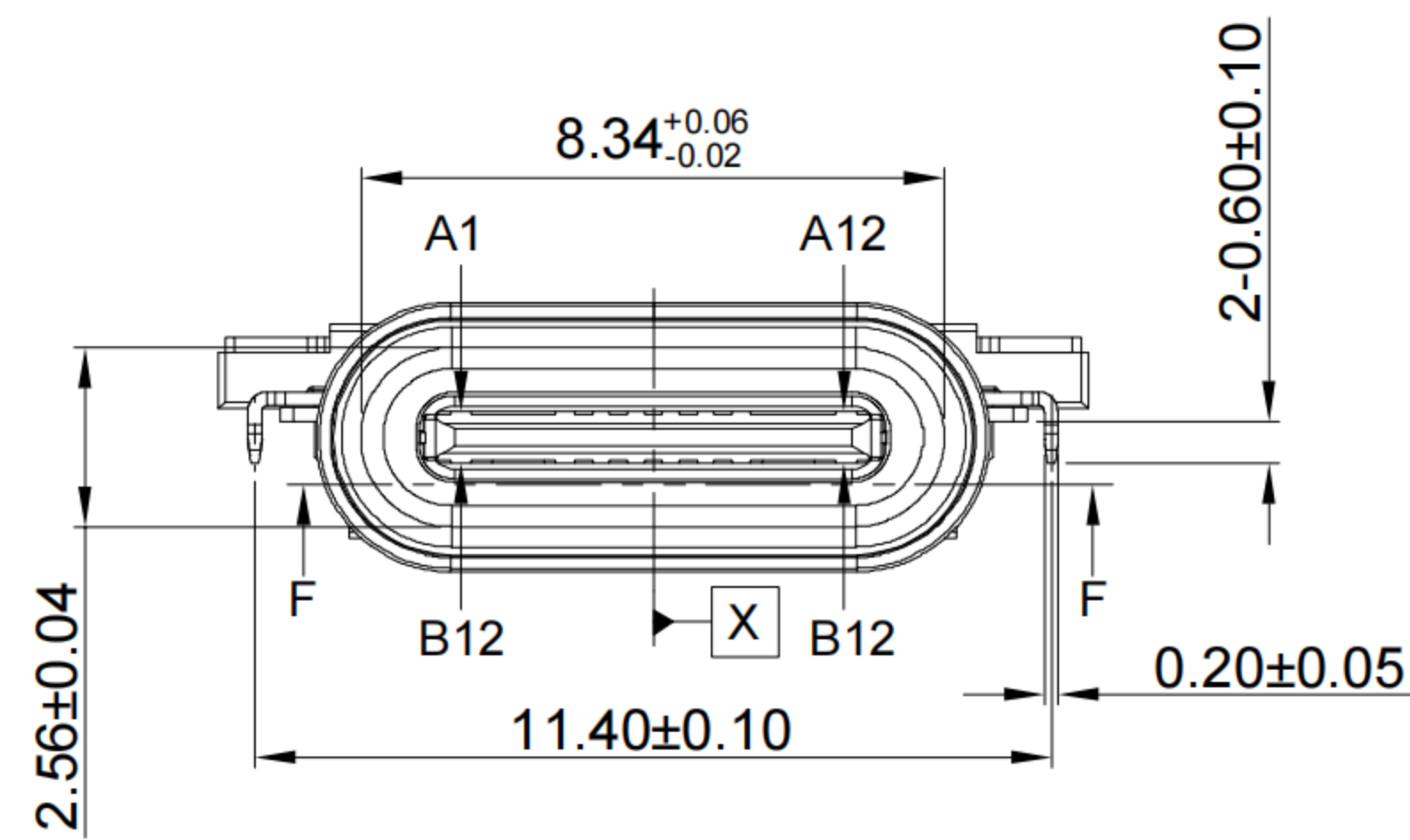


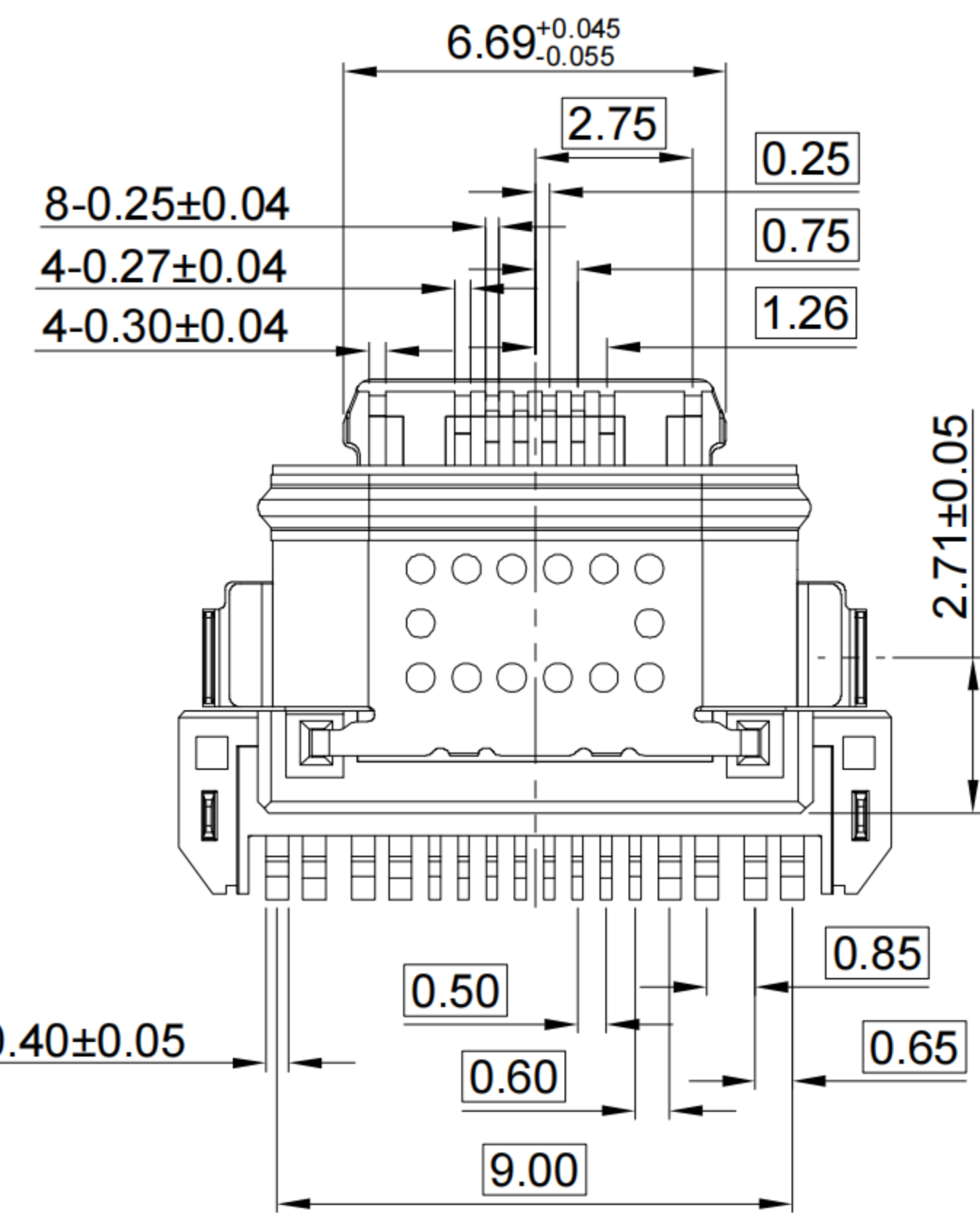
1



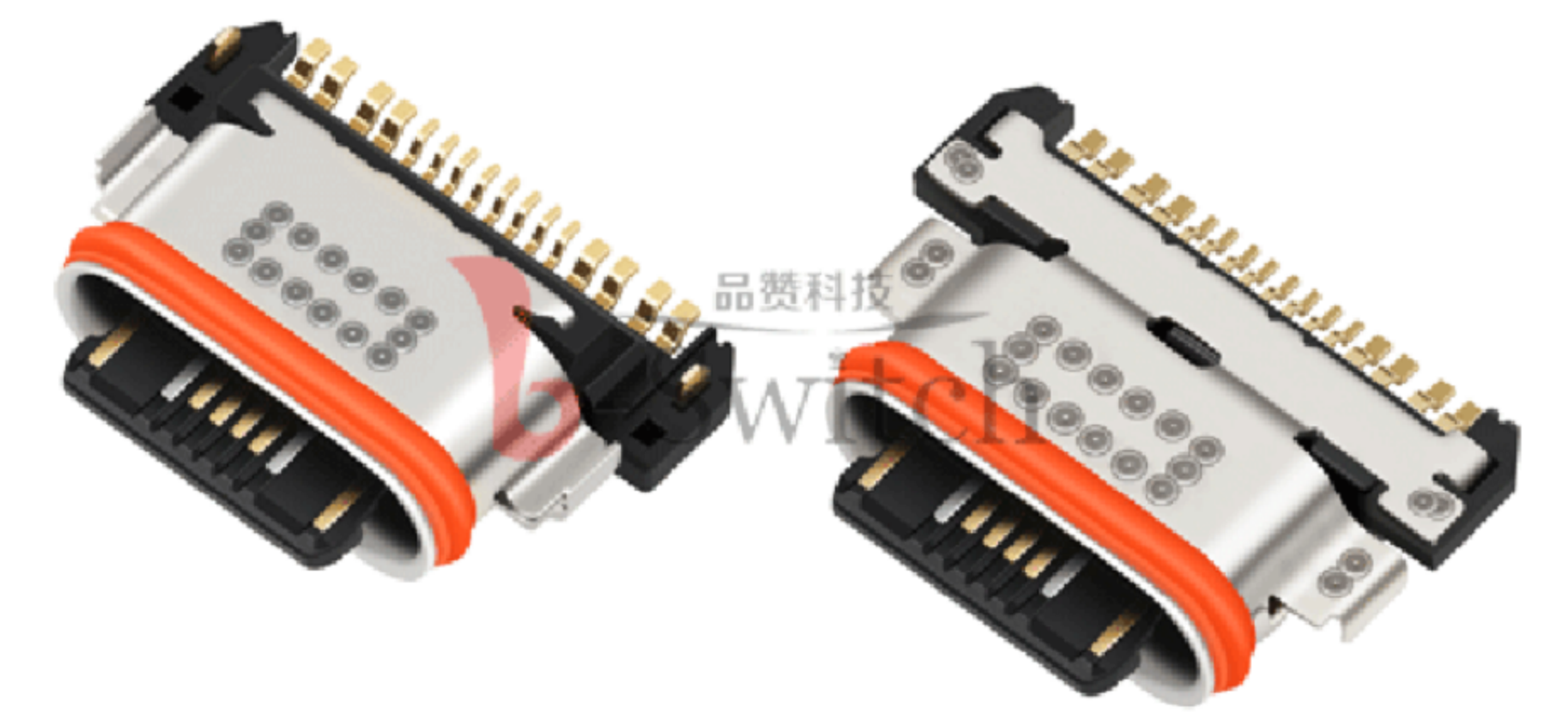
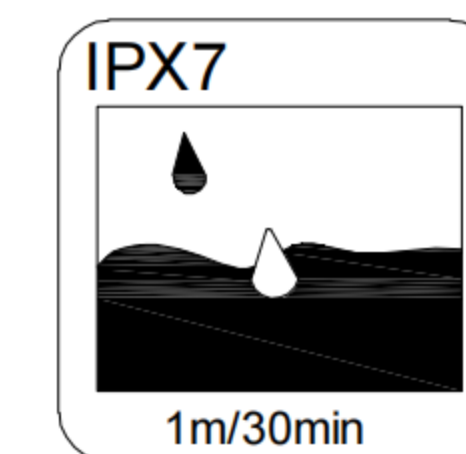
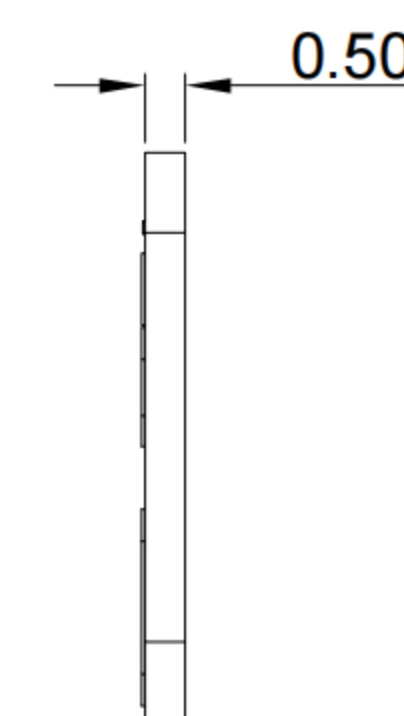
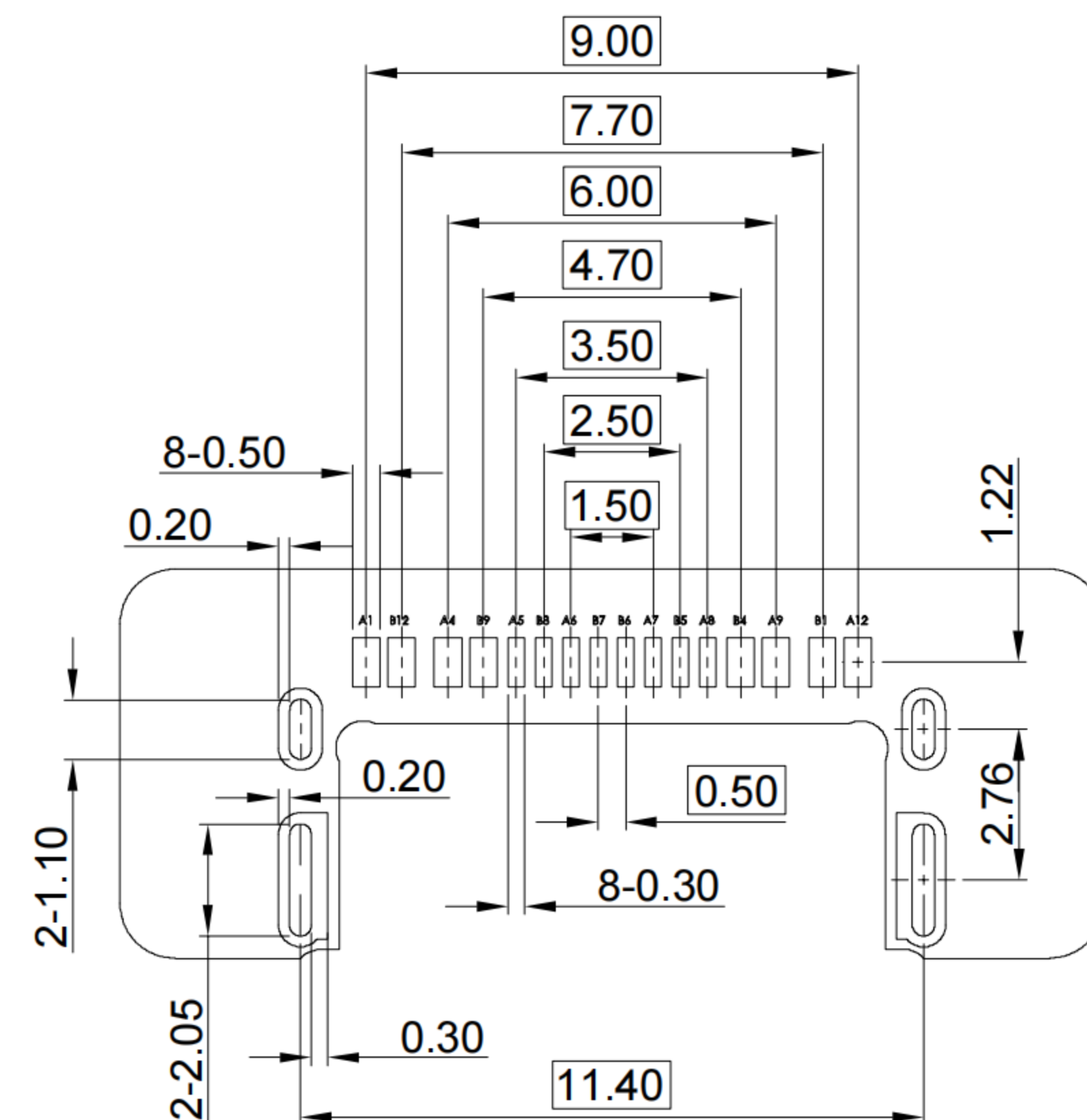
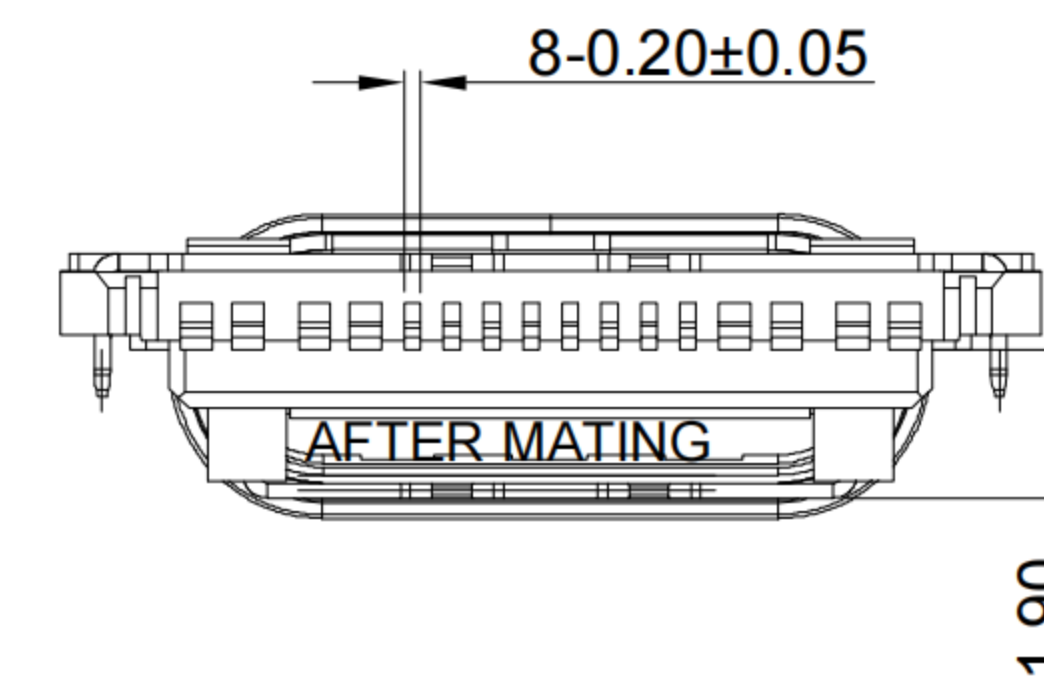
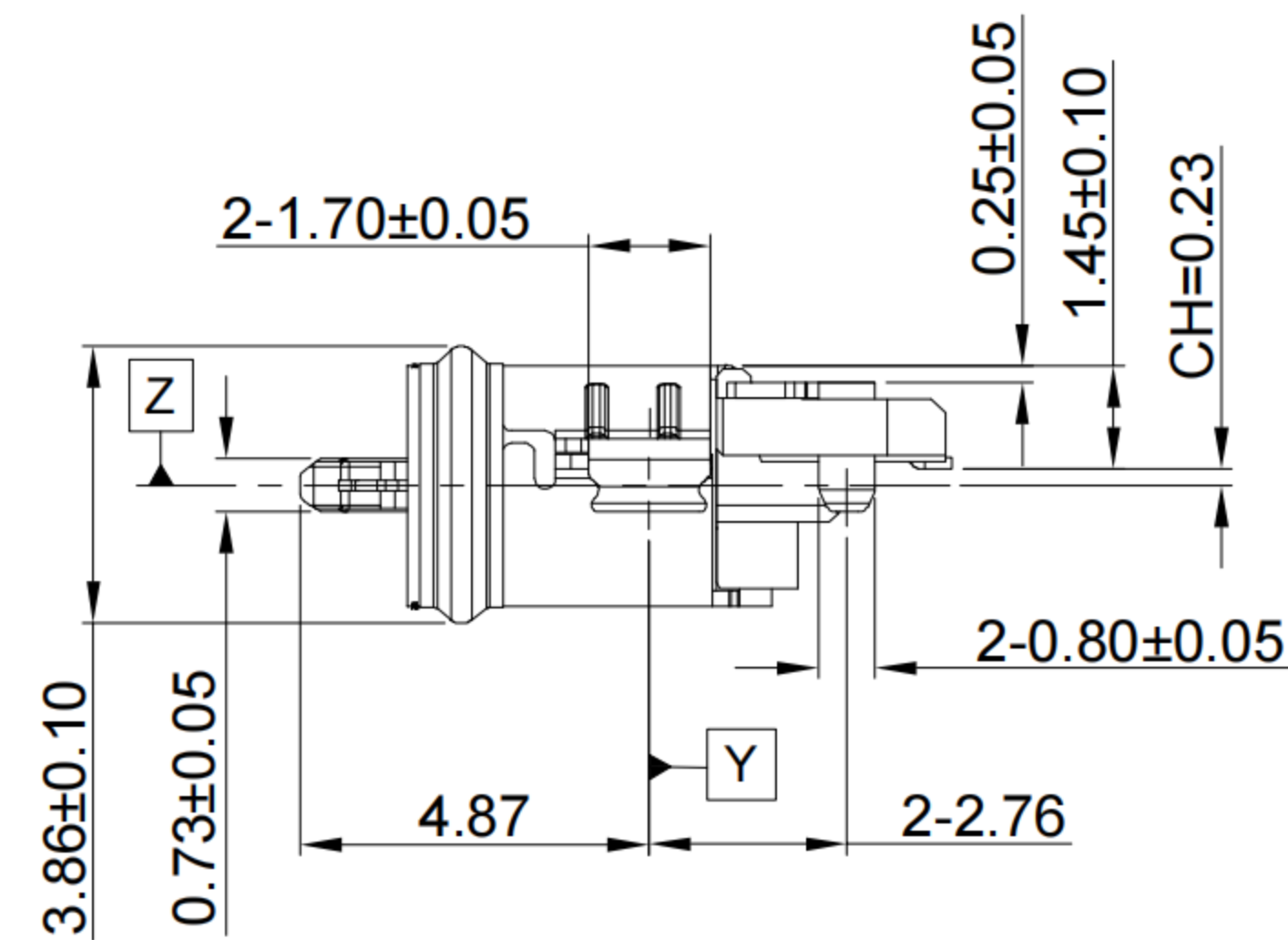
2



3



4



G-Switch USB-C Specification:

- 1.Current rated: 5A on vbus/1.25A on vconn/0.25A on other
- 2.Withstanding voltage: 100V AC/minute
- 3.Contact resistance: 40mΩ Max
- 4.Insulation resistance: 100MΩ Min
- 5.Operating temperature: -40°C ~ +85°C
- 6.Mating force: 5N~20N
- 7.Unmating force: 8N~20N
- 8.Durability cycle: 10,000 cycles
- 9.Waterproof grade: IP-X7.

A1	A2	A3	A4	A5	A6	A7	A8	A9	A10	A11	A12
GND			VBUS	CC1	D+	D-	SBU1	VBUS			GND
First			First	Second	Second	Second	Second	First			First

B12	B11	B10	B9	B8	B7	B6	B5	B4	B3	B2	B1
GND			VBUS	SBU2	D-	D+	CC2	VBUS			GND
First			First	Second	Second	Second	Second	First			First

1	UP SHELL	STAINLESS STEEL	Ni PLATED
2	DOWN SHELL	STAINLESS STEEL	Ni PLATED
3	INNER SHELL	STAINLESS STEEL	Ni PLATED
4	GND PLATE	STAINLESS STEEL	---
5	MID PLATE	STAINLESS STEEL	Ni PLATED
6	HOUSING	HIGH TEMPERATURE PLASTIC	BLACK UL 94 V-0
7	TERMINALS	COPPER ALLOY	Au PLATING ON CONTACT AREA
8	WATERPROOF RING	SILICA GEL	ORANGE
9	RUBBER		BLACK
NO.	PARTS	MATERIAL	REMARKS

RECOMMENDED PCB LAYOUT TOLERANCE:±0.05



SCALE: 1:1 UNIT: mm
 SIZE: A4

Unless otherwise General Tolerance:
 X. ±0.25
 X.x ±0.20
 X.xx ±0.15
 X.xxx ±0.10
 X° ±5°

Title: Horizontal Type-c 16P Female SMT Sink1.9 CH=0.23 L=9.1mm

Molde Code: GT-USB-7093B

DRAWN	CHECKED	APPROVED	DATE
Xia	Chen	Chen	2023.02.01



REV: A0 SHEET: 1/1