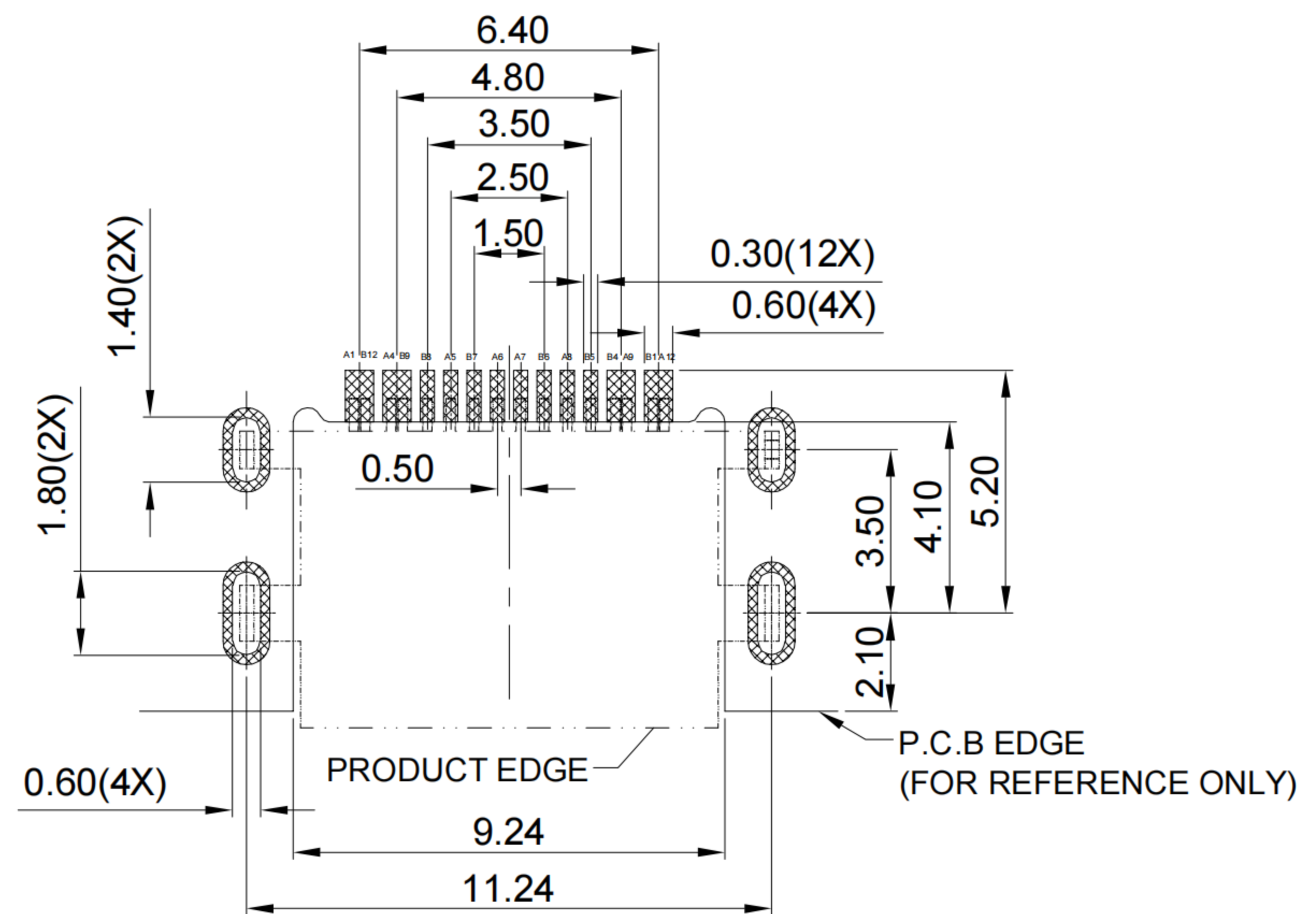
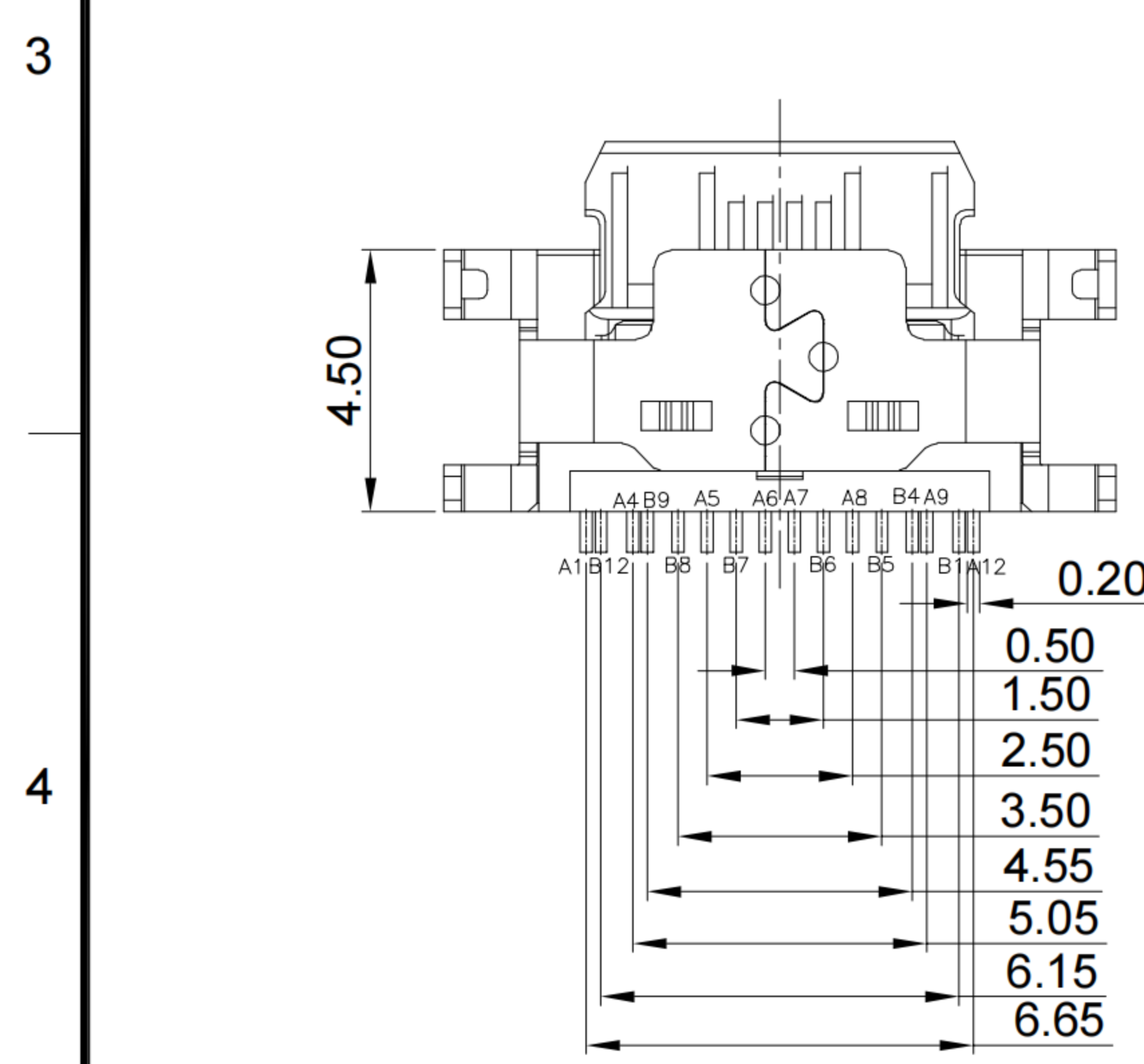


- G-Switch USB-C Specification:**
- 1.Current rated: 5A on vbus/1.25A on vconn/0.25A on other
 - Voltage rating: 24V AC
 - 2.Withstanding voltage: 100V AC/minute
 - 3.Contact resistance: 40mΩ Max
 - 4.Insulation resistance: 100MΩ Min
 - 5.Operating temperature: -40°C ~ +85°C
 - 6.Mating force: 5N~20N
 - 7.Unmating force: 8N~20N
 - 8.Durability cycle:10,000 cycles



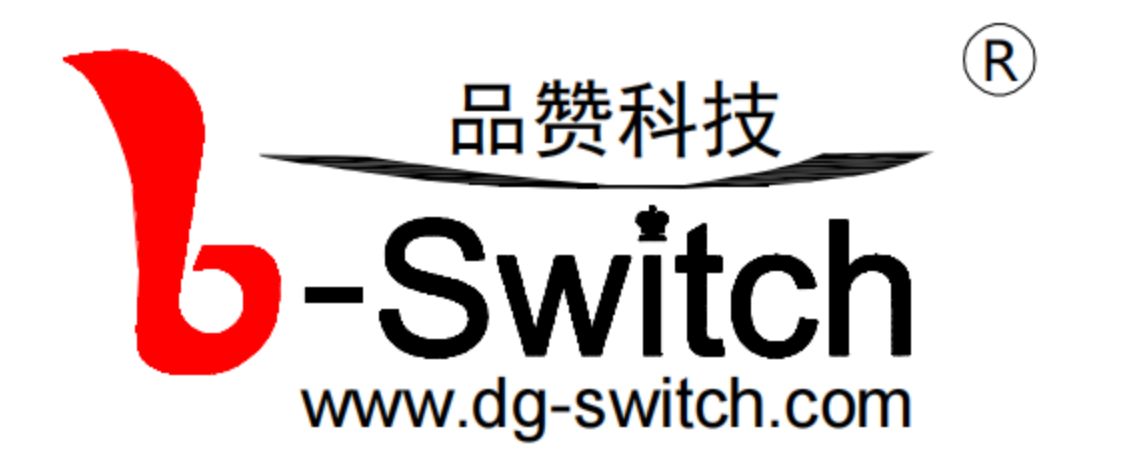
| | | | | | | | | | | | |
|-------|----|----|-------|--------|--------|--------|--------|-------|-----|-----|-------|
| A1 | A2 | A3 | A4 | A5 | A6 | A7 | A8 | A9 | A10 | A11 | A12 |
| GND | | | VBUS | CC1 | D+ | D- | SBU1 | VBUS | | | GND |
| First | | | First | Second | Second | Second | Second | First | | | First |

| | | | | | | | | | | | |
|-------|-----|-----|-------|--------|--------|--------|--------|-------|----|----|-------|
| B12 | B11 | B10 | B9 | B8 | B7 | B6 | B5 | B4 | B3 | B2 | B1 |
| GND | | | VBUS | SBU2 | D- | D+ | CC2 | VBUS | | | GND |
| First | | | First | Second | Second | Second | Second | First | | | First |

| | | | |
|-----|-----------|--------------------------|----------------------------|
| 1 | SHELL | STAINLESS STEEL | Ni PLATED |
| 2 | EMI SHELL | STAINLESS STEEL | --- |
| 3 | MID PLATE | STAINLESS STEEL | Ni PLATED |
| 4 | HOUSING | HIGH TEMPERATURE PLASTIC | BLACK UL 94 V-0 |
| 5 | TERMINALS | COPPER ALLOY | Au PLATING ON CONTACT AREA |
| NO. | PARTS | MATERIAL | REMARKS |



| | | | |
|-------------------------------------|----------|---|------------|
| SCALE: 1:1 | UNIT: mm | Title: Horizontal Type-c 16P Female SMT Sink1.0 CH=0.58 L=4.5mm | |
| SIZE: A4 | | Molde Code: GT-USB-7046A | |
| Unless otherwise General Tolerance: | | DRAWN | CHECKED |
| X. | ±0.25 | Xia | Chen |
| X.x | ±0.20 | APPROVED | DATE |
| X.xx | ±0.15 | Chen | 2023.02.01 |
| X.xxx | ±0.10 | | |
| X° | ±5° | | |



REV: A0 SHEET: 1/1