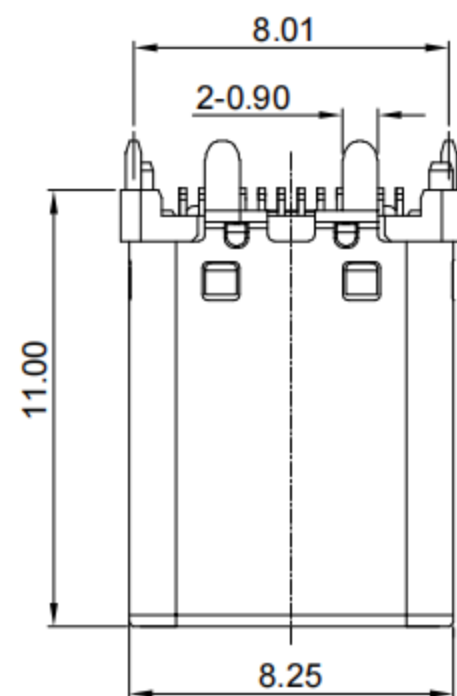


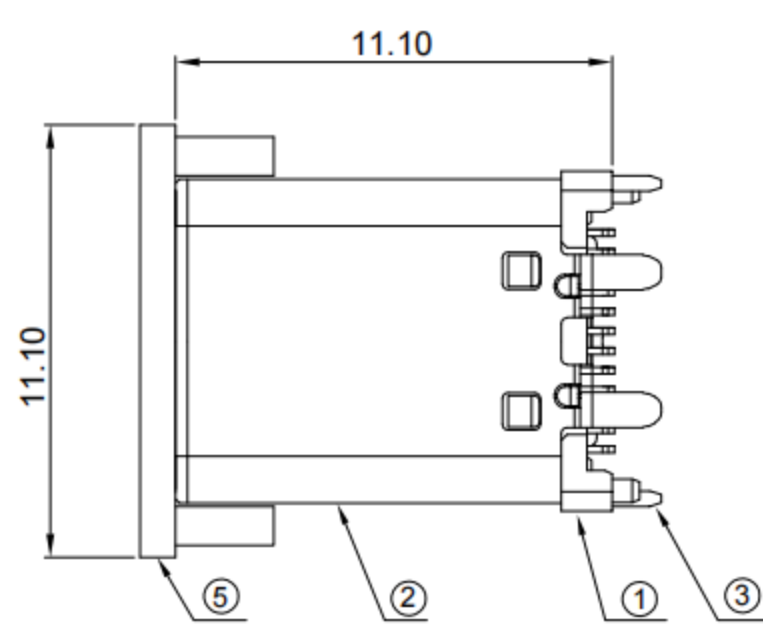
A

1



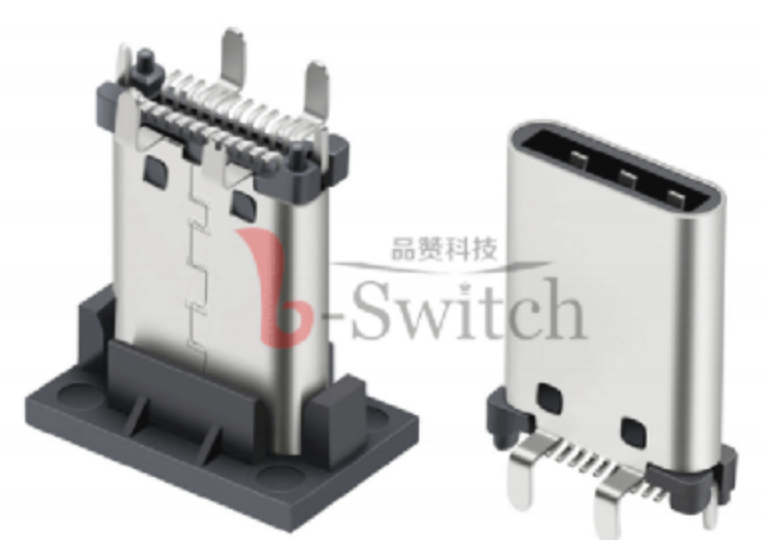
B

C

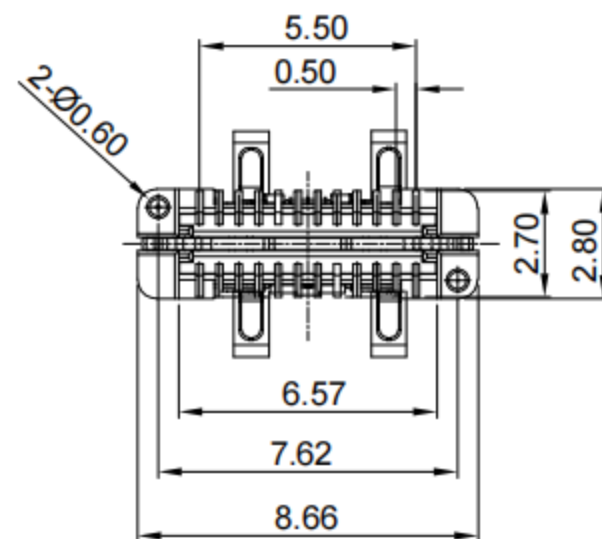
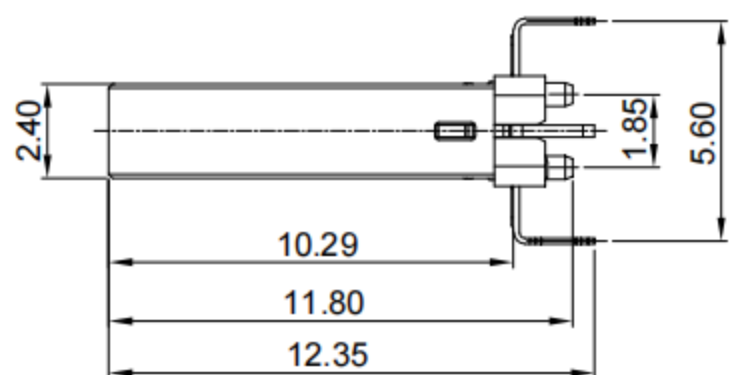
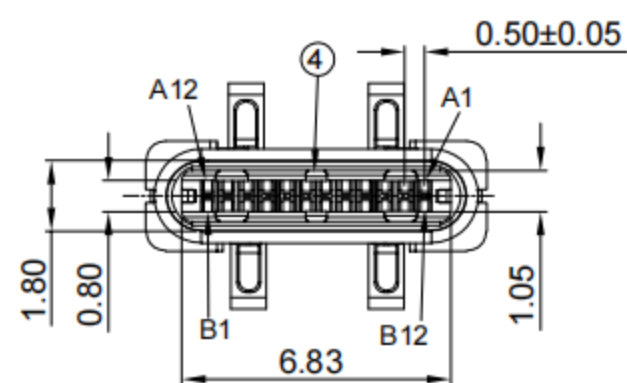


D

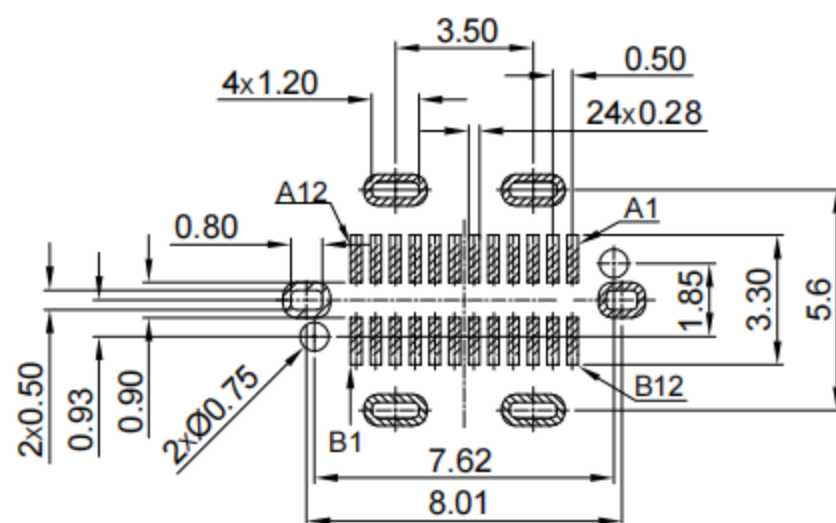
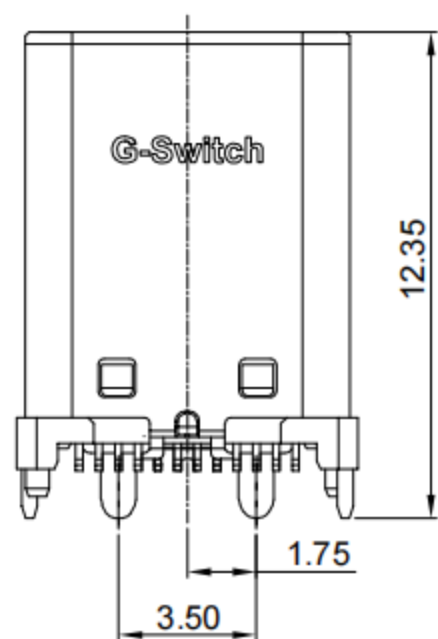
E



2



3



G-Switch USB-C Specification:

1. Current rated: 3A on vbus/1.25A on vconn/0.25A on other
Voltage rating: 5V AC
2. Withstanding voltage: 100V AC/minute
3. Contact resistance: 40mΩ Max
4. Insulation resistance: 100MΩ Min
5. Operating temperature: -40°C ~ +85°C
6. Mating force: 5N~20N
7. Unmating force: 8N~20N
8. Durability cycle: 10,000 cycles

4

A12	A11	A10	A9	A8	A7	A6	A5	A4	A3	A2	A1
GND	RX2+	RX2-	VBUS	SBU1	D-	D+	CC1	VBUS	TX1-	TX1+	GND
First	Second	Second	First	Second	Second	Second	Second	First	Second	Second	First

B1	B2	B3	B4	B5	B6	B7	B8	B9	B10	B11	B12
GND	TX2+	TX2-	VBUS	VCONN	D+	D-	SBU2	VBUS	RX1-	RX1+	GND
First	Second	Second	First	Second	Second	Second	Second	First	Second	Second	First

5

6	COVER	HIGH TEMPERATURE PLASTIC	BLACK UL 94 V-0
5	SPRING	STAINLESS STEEL	NI PLATED
4	TERMINALS	COPPER ALLOY	Au PLATING ON CONTACT AREA
3	LATCH	STAINLESS STEEL	---
2	HOUSING	HIGH TEMPERATURE PLASTIC	BLACK UL 94 V-0
1	SHELL	STAINLESS STEEL	NI PLATED
NO.	NAME	DESCRIPTION	REMARKS

RECOMMENDED PCB LAYOUT
TOLERANCE: ±0.05



SCALE: 4:1	UNIT: mm
SIZE: A4	
Unless otherwise General Tolerance:	
X.	±0.30
X.x	±0.20
X.xx	±0.15
X.xxx	±0.10
X*	±5°

Title: Vertical Type-c 24P Plug SMT H=11mm			
Molde Code: GT-USB-8018C			
DRAWN	CHECKED	APPROVED	DATE
Xia	Chen	Chen	2023.02.01



REV: A0 SHEET: 1/1