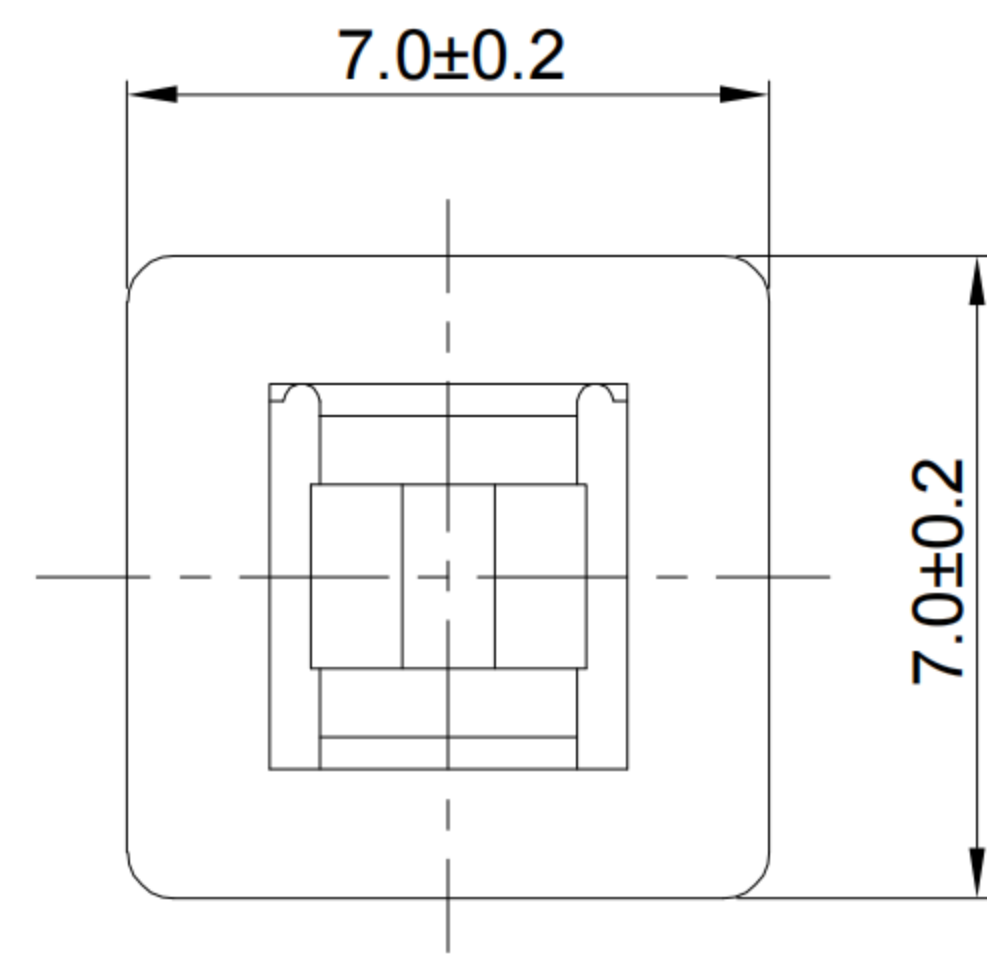
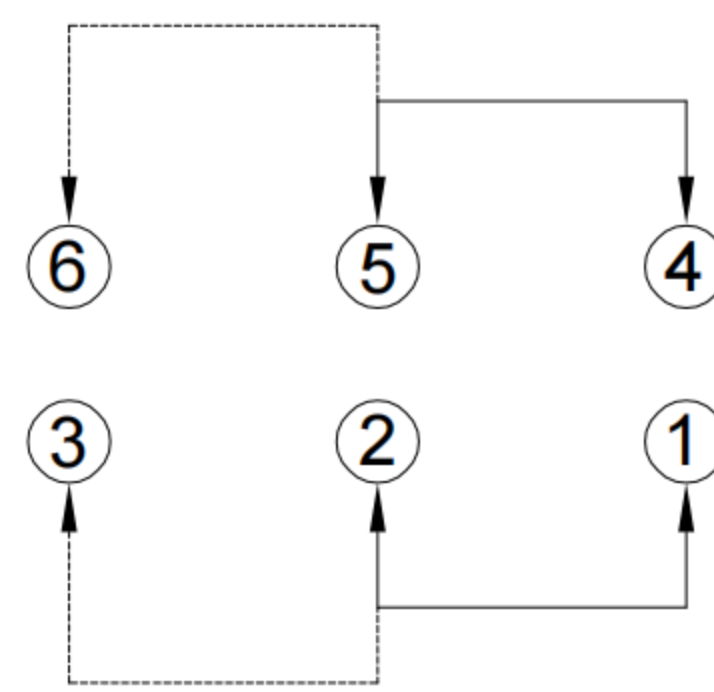


A

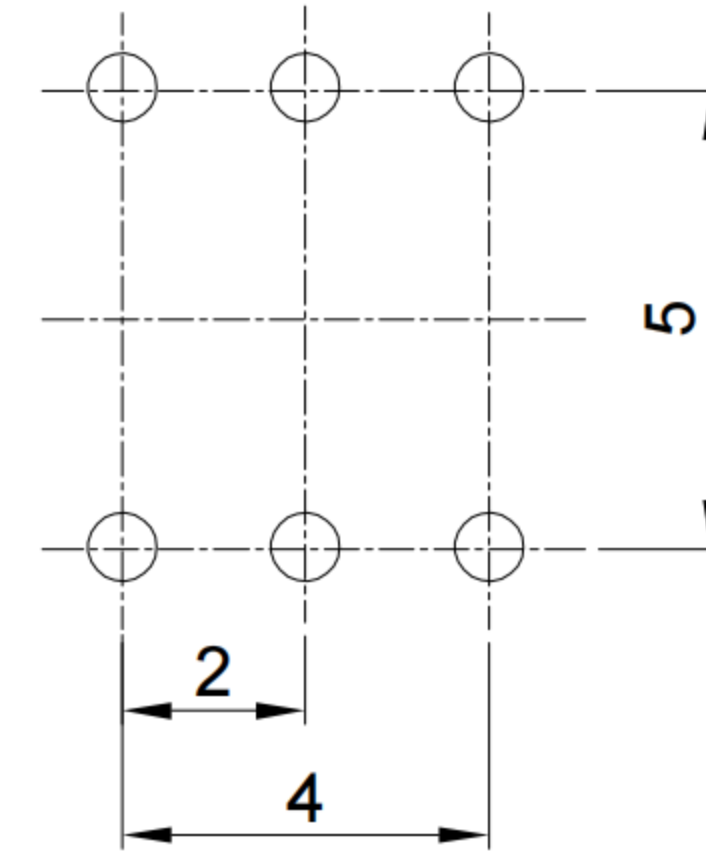


B



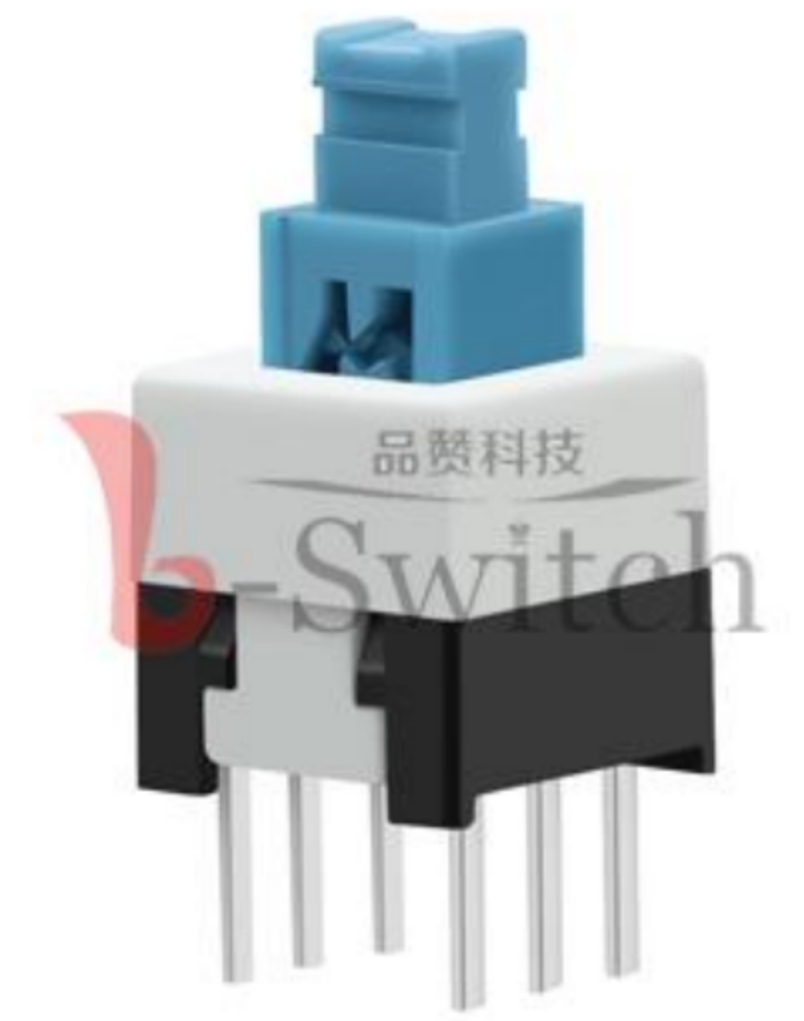
CIRCUIT DIAGRAM

C



RECOMMENDED PCB LAYOUT  
TOLERANCE:±0.05

D



E

### PS-70 54 D V X-6P L

Push Switch

Switch Type  
70=7.0×7.0mm

Switch Height  
54=5.4mm

Foot Type  
D=DIP

Switch Function  
N=No Lock  
L=Lock

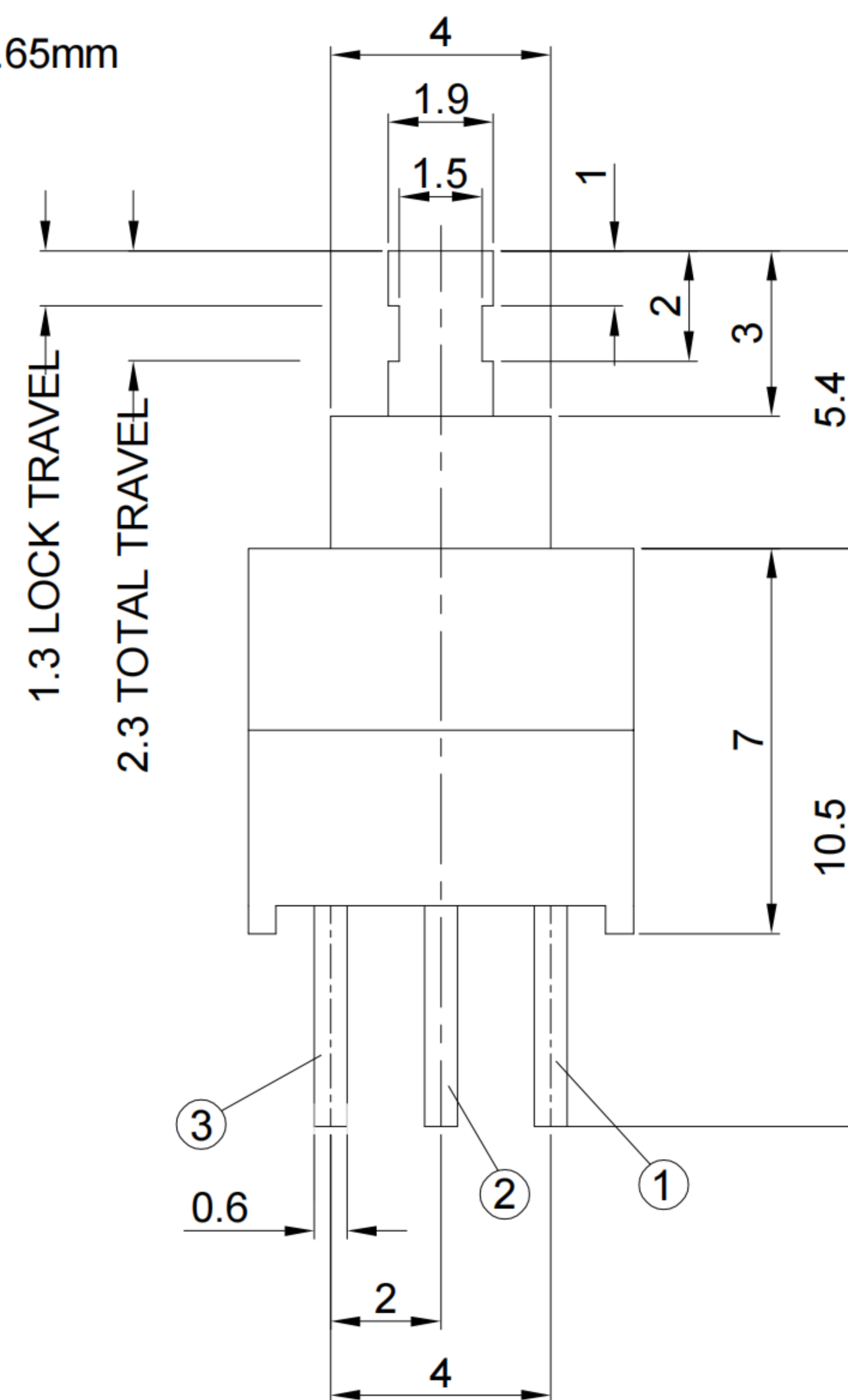
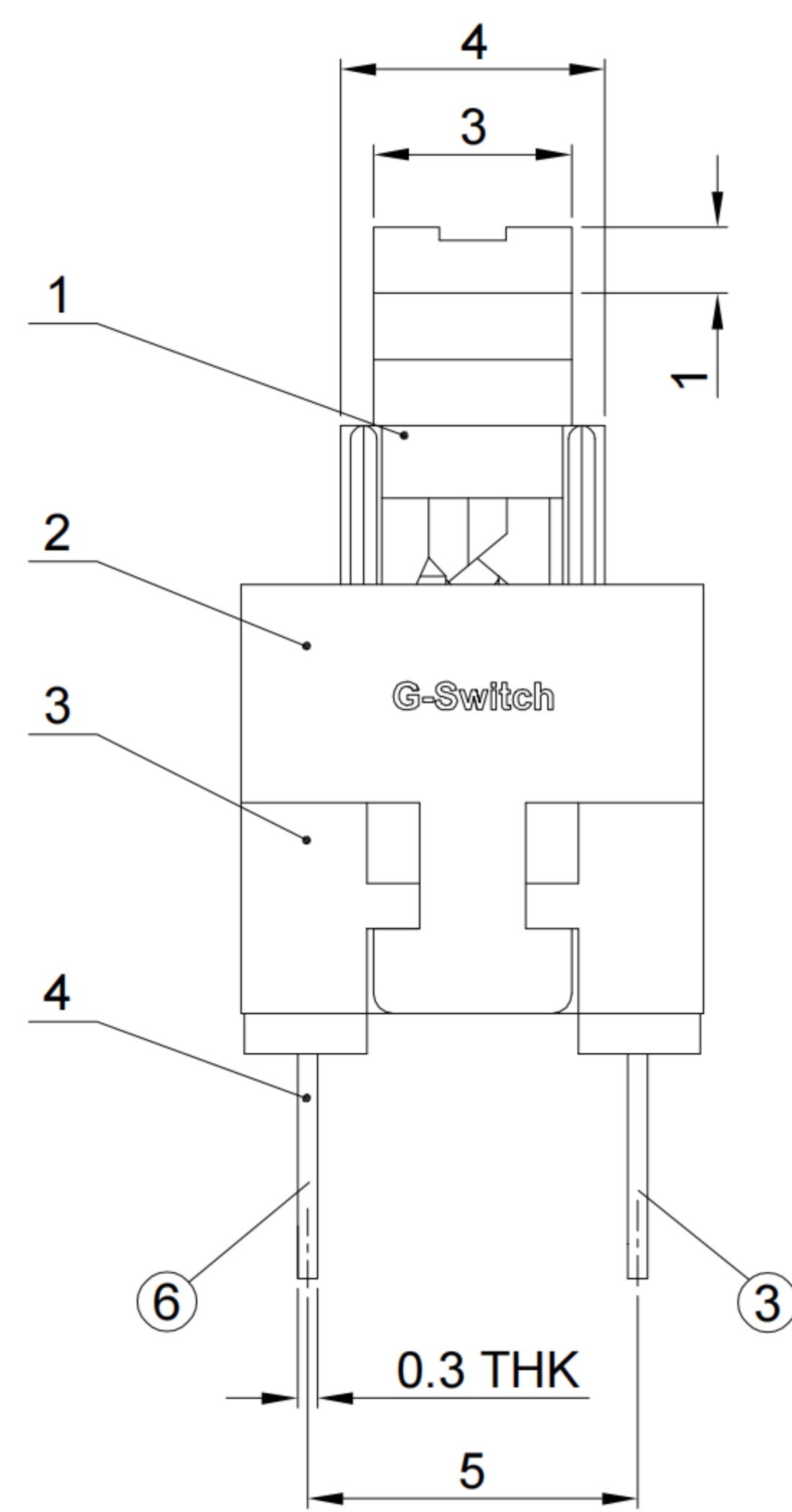
Foot Position  
6P=6pin

Operating Force  
A=180gf  
B=250gf  
D=400gf

Type  
V=Vertical

#### G-Switch Specification:

1. Operating temperature range: -40°C ~ +85°C
2. Rating: 0.5A.24V DC
3. Insulation resistance: 100MΩ min.100V DC
4. Dielectric strength: 500V AC for 1 min
5. Contact resistance:100mΩ max.
6. Poles-Throws: 2P2T
7. Switch lifetime:10,000Cycles



1

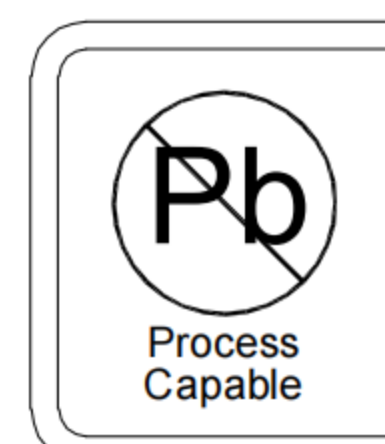
2

3

4

5

NO.	PART NAME	MATERIAL	REMARK
6	CAM STICK	SUS	NATURAL
5	SPRING	SUS	NATURAL
4	TERMINAL	BRASS STRIP	Ag PIATED
3	CASE	NYLON PA66	BLACK
2	COVER	NYLON PA66	WHITE
1	KNOB	NYLON/PBS STRIP	BLUE/Ag CLAD



**RoHS**  
Compliant  
EU RoHS Standards



SCALE: 1:1 UNIT: mm

SIZE: A4

Title: Vertical Push Switch  
DIP 7.0×7.0×12.4mm

Molde Code: PS-7054DVX-6PL

Unless otherwise  
General Tolerance:

≥10	±0.30
1.5-10	±0.20
≤1.5	±0.10

DRAWN	CHECKED	APPROVED	DATE
Xia	Chen	Chen	2023.02.01

REV: A0 SHEET: 1/1

