

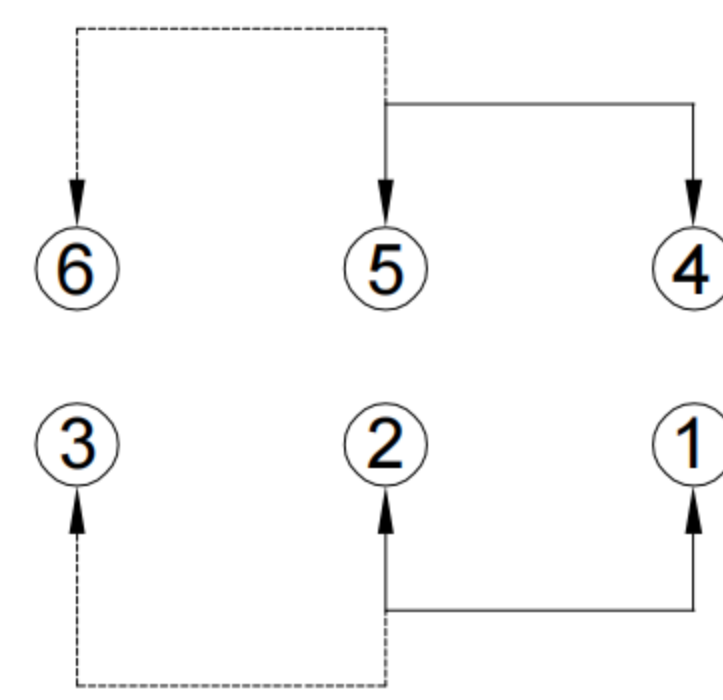
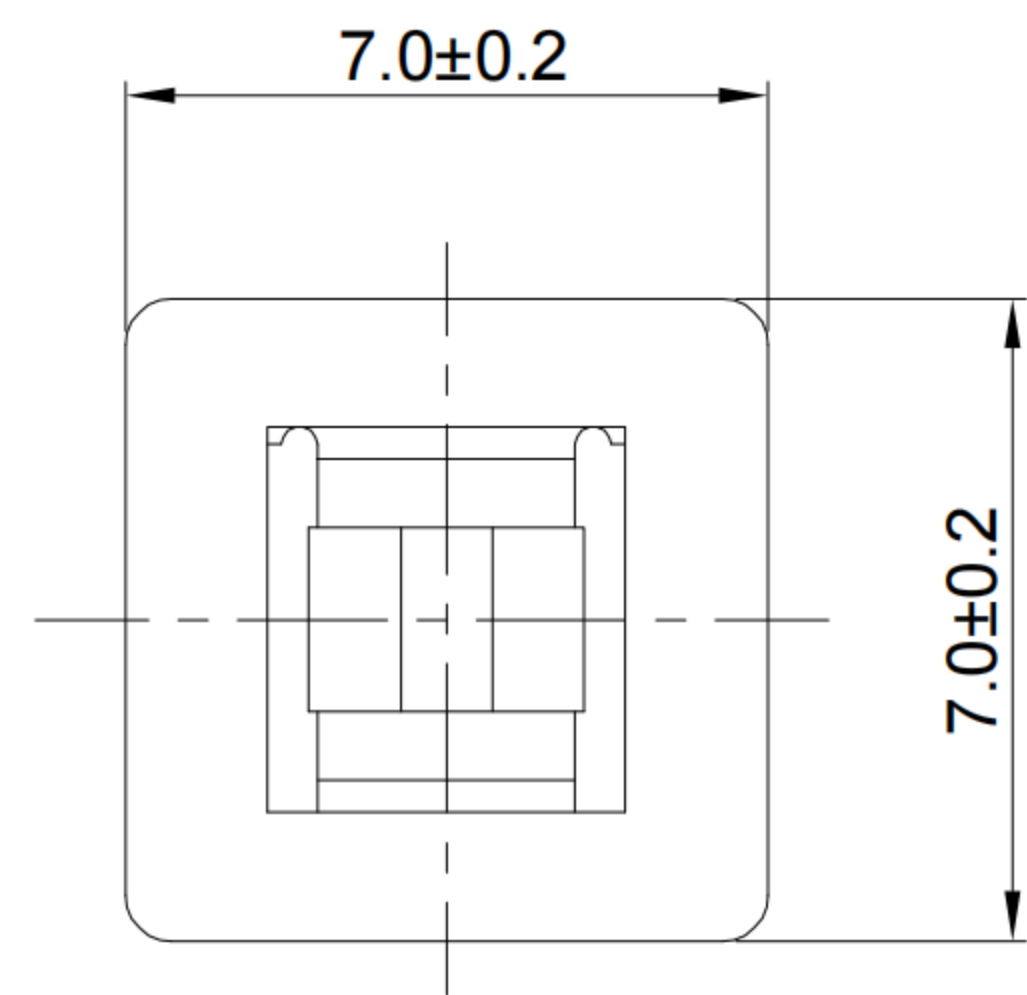
A

B

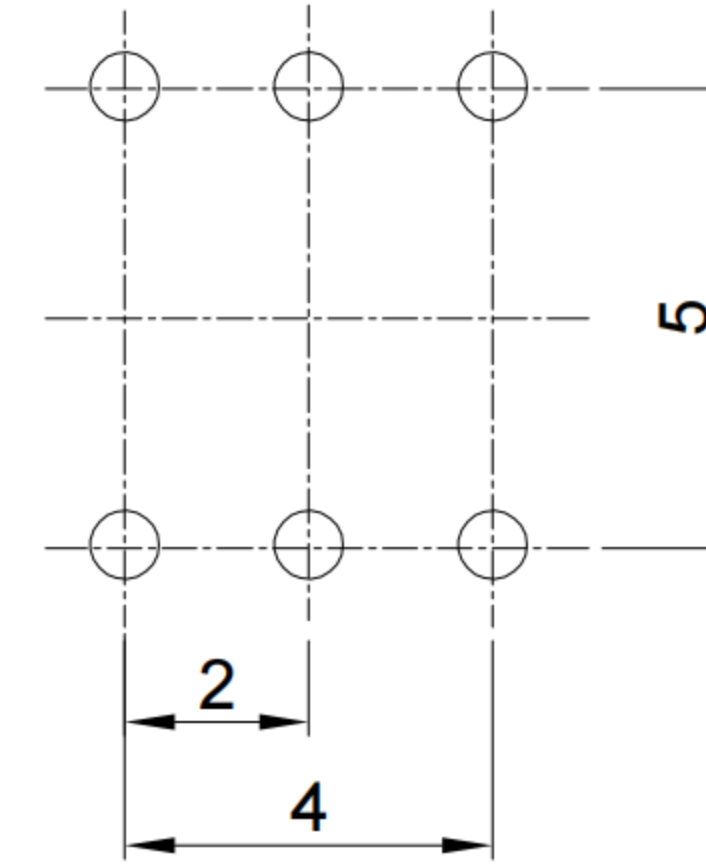
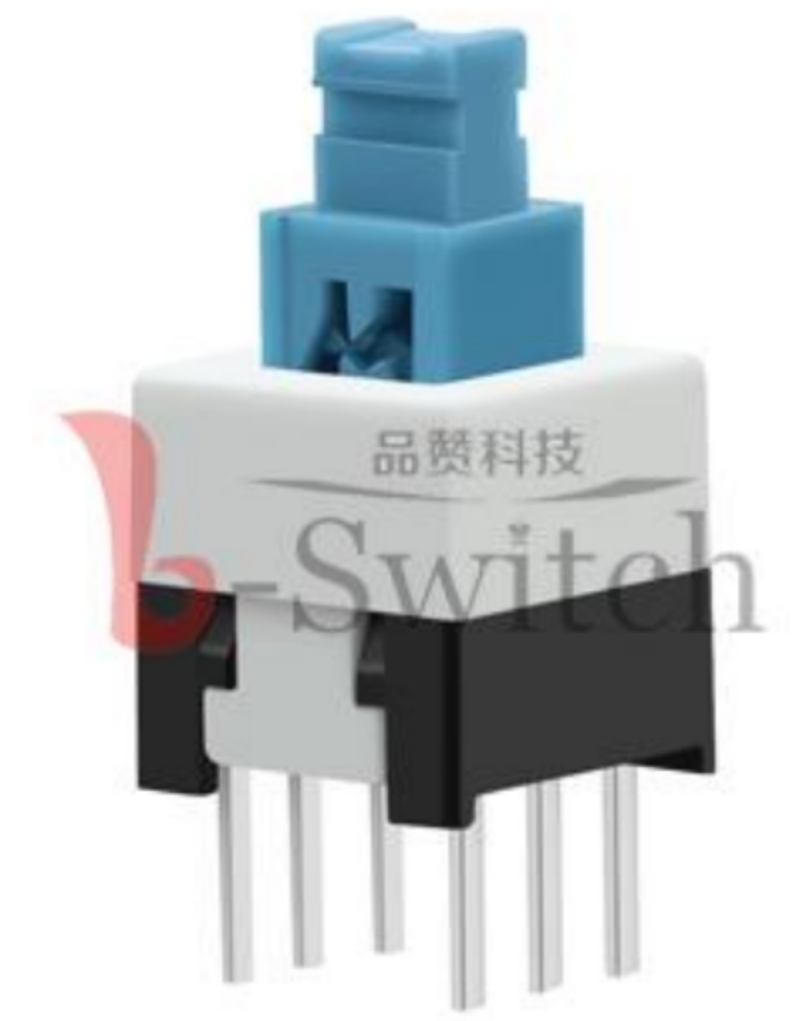
C

D

E

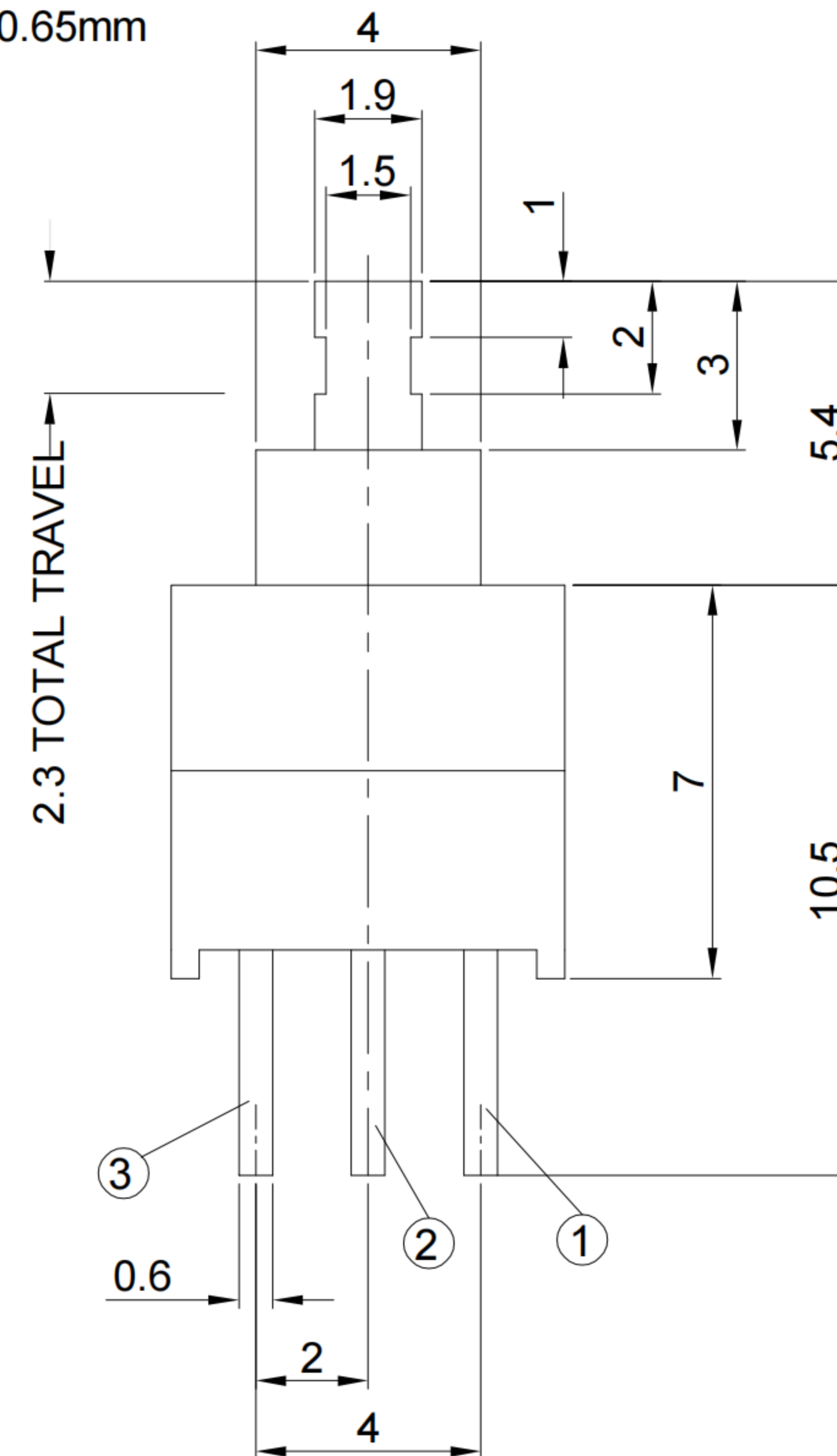
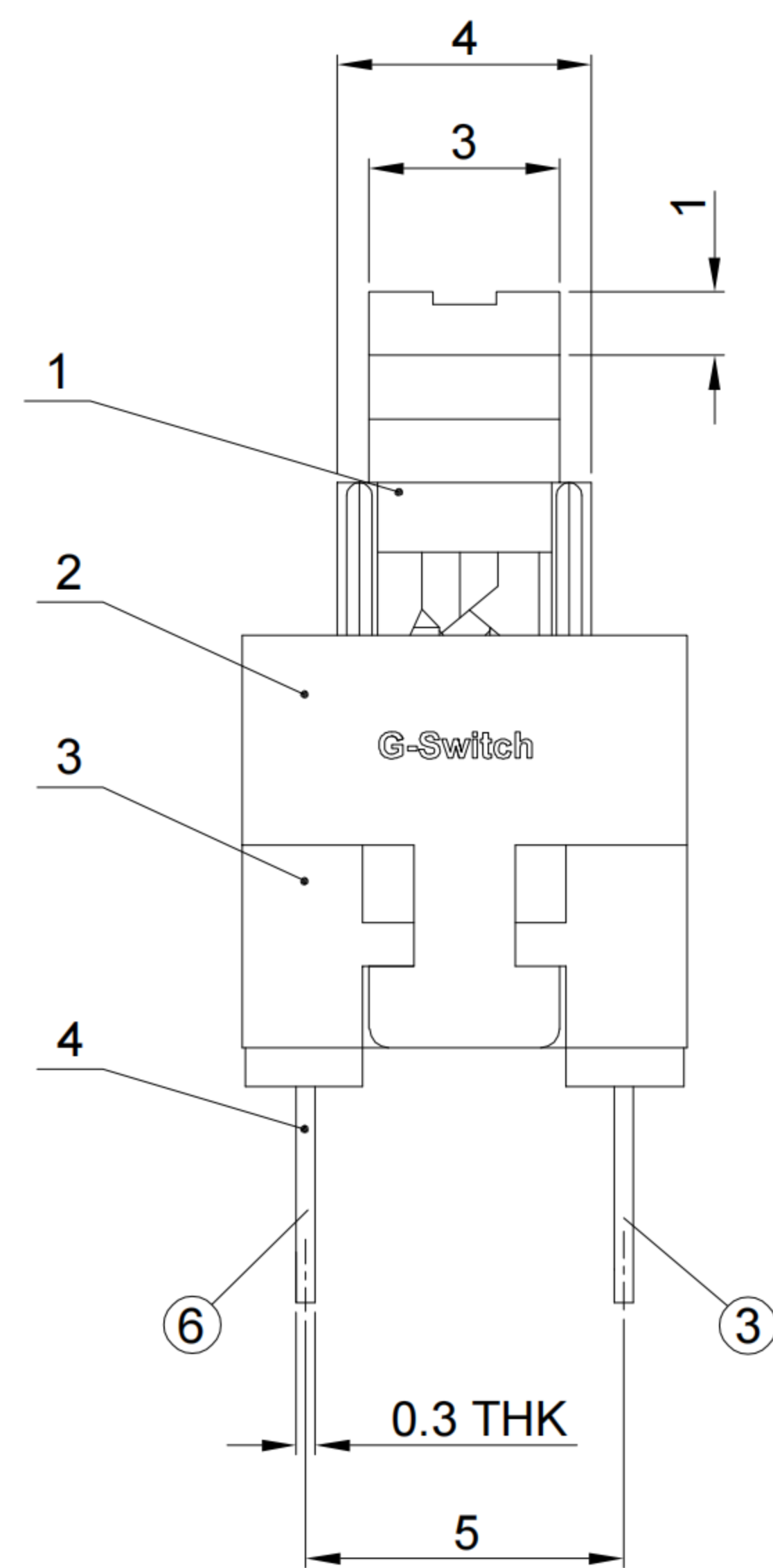


CIRCUIT DIAGRAM

RECOMMENDED PCB LAYOUT  
TOLERANCE:±0.05

## PS-70 54 D V X-6P N

Push Switch

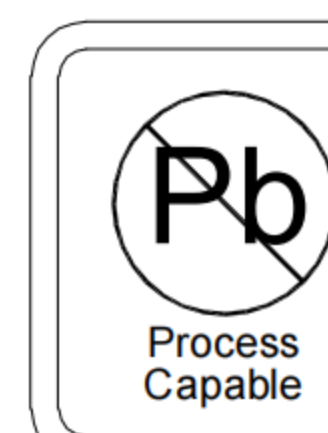
Switch Type  
70=7.0×7.0mmSwitch Height  
54=5.4mmFoot Type  
D=DIPSwitch Function  
N=No Lock  
L=LockFoot Position  
6P=6pinOperating Force  
A=180gf  
B=250gf  
D=400gfType  
V=Vertical

2.3 TOTAL TRAVEL

## G-Switch Specification:

1. Operating temperature range: -40°C ~ +85°C
2. Rating: 0.5A, 24V DC
3. Insulation resistance: 100MΩ min. 100V DC
4. Dielectric strength: 500V AC for 1 min
5. Contact resistance: 100mΩ max.
6. Poles-Throws: 2P2T
7. Switch lifetime: 10,000 Cycles

| NO. | PART NAME | MATERIAL        | REMARK       |
|-----|-----------|-----------------|--------------|
| 5   | SPRING    | SUS             | NATURAL      |
| 4   | TERMINAL  | BRASS STRIP     | Ag PIATED    |
| 3   | CASE      | NYLON PA66      | BLACK        |
| 2   | COVER     | NYLON PA66      | WHITE        |
| 1   | KNOB      | NYLON/PBS STRIP | BLUE/Ag CLAD |



**RoHS**  
Compliant  
EU RoHS Standards



SCALE: 1:1 UNIT: mm

SIZE: A4

Title: Vertical Push Switch  
DIP 7.0×7.0×12.4mm

Molde Code: PS-7054DVX-6PN

Unless otherwise  
General Tolerance:

|        |       |
|--------|-------|
| ≥10    | ±0.30 |
| 1.5-10 | ±0.20 |
| ≤1.5   | ±0.10 |

DRAWN CHECKED APPROVED DATE

Xia Chen Chen 2023.02.01

品赞科技®  
**b-Switch**  
www.dg-switch.com

REV: A0 SHEET: 1/1