

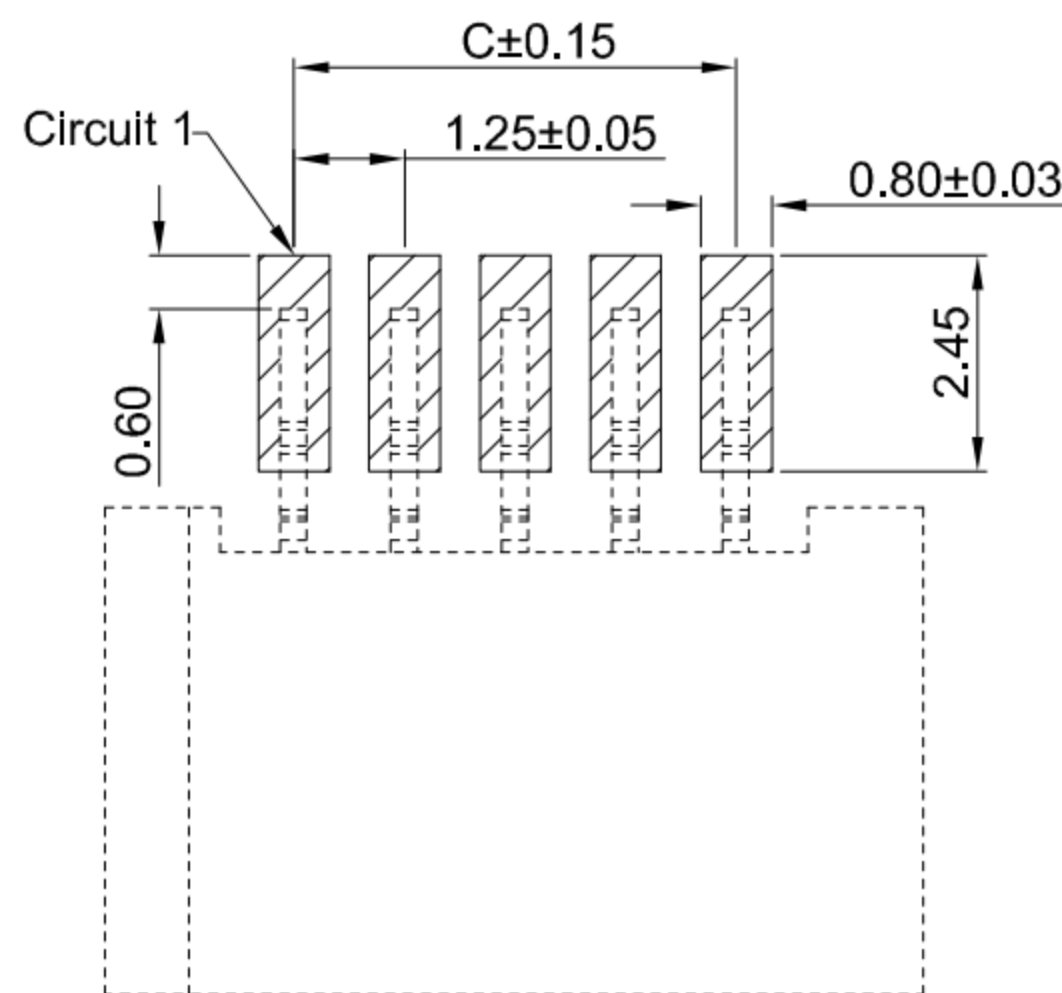
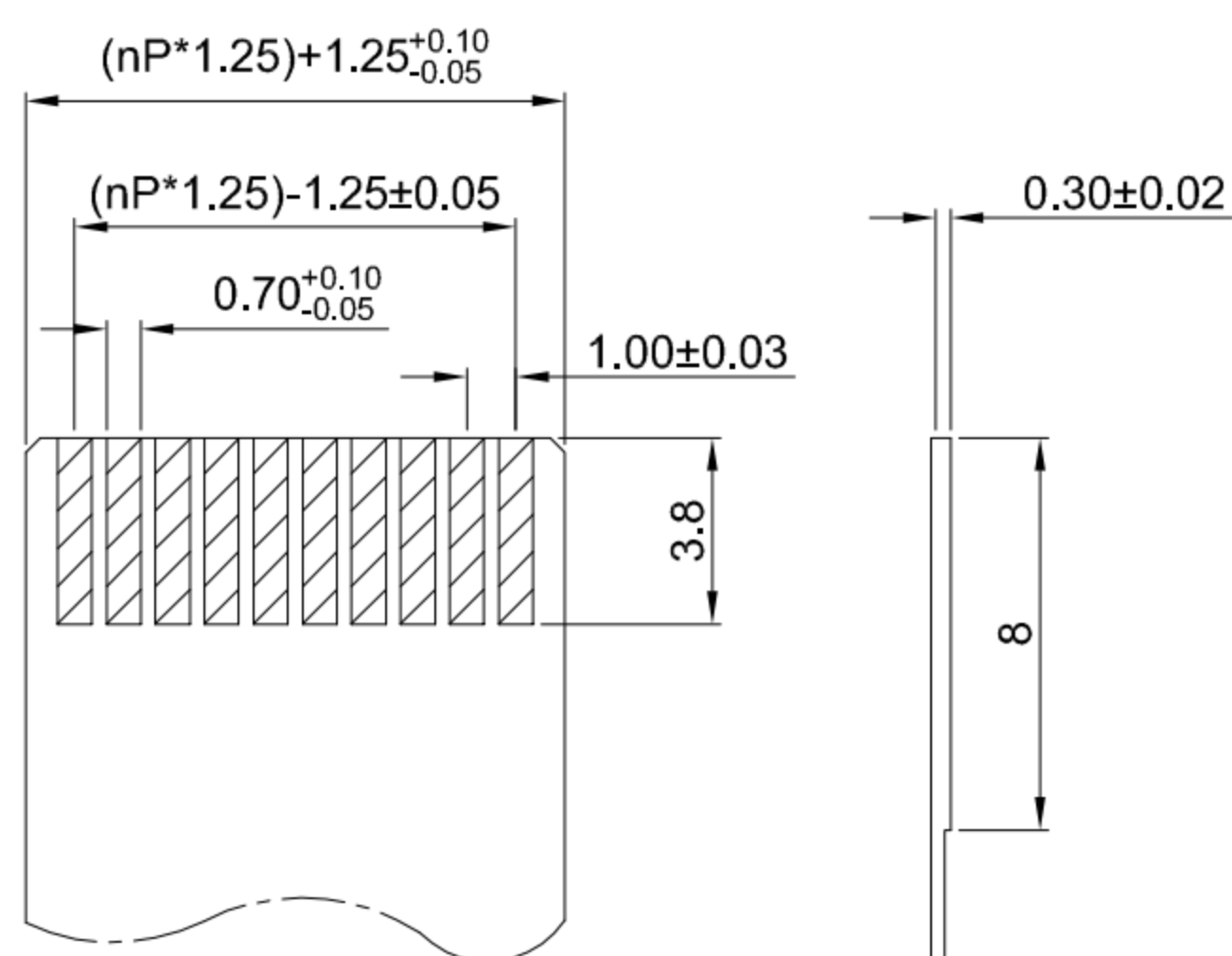
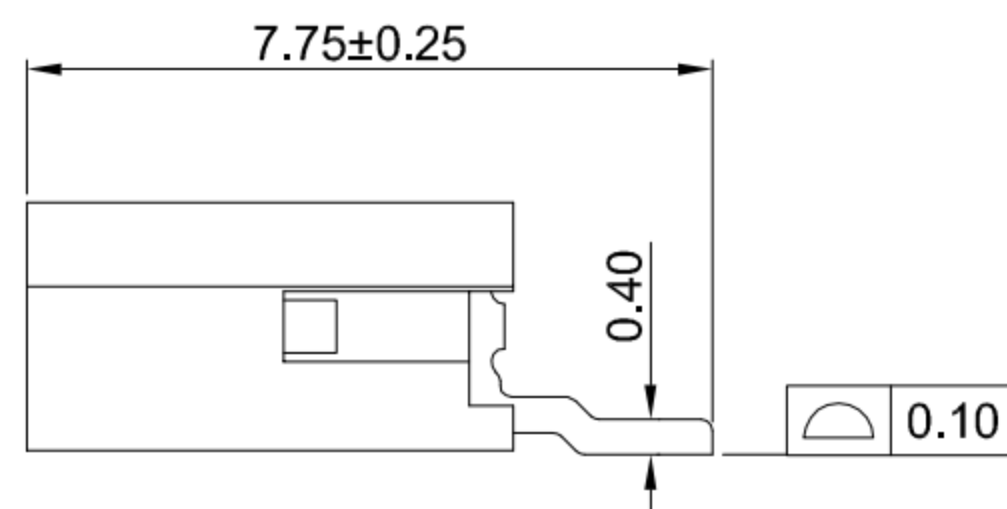
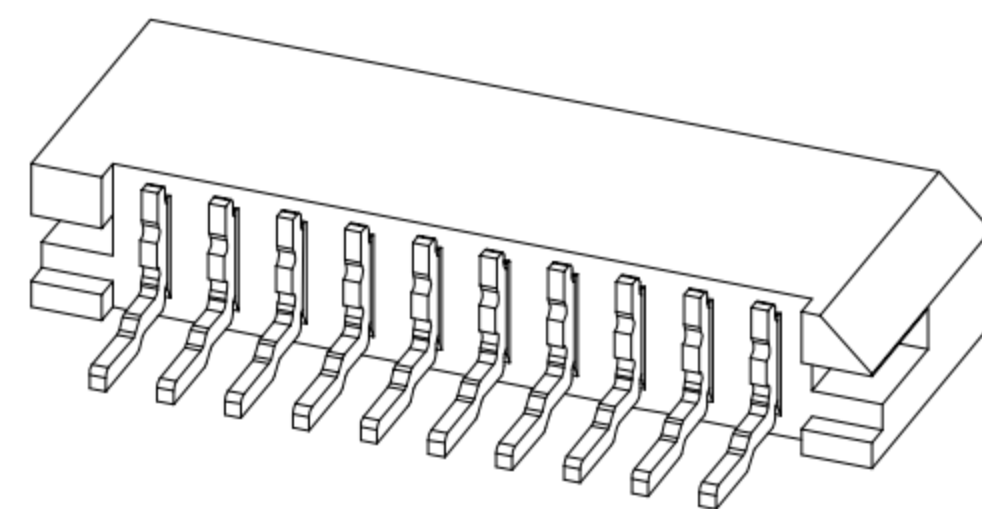
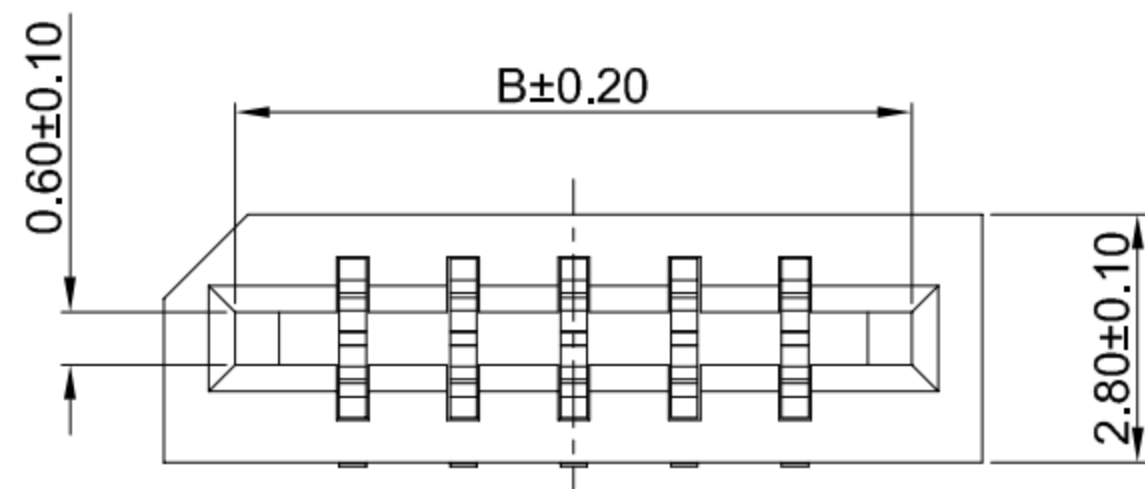
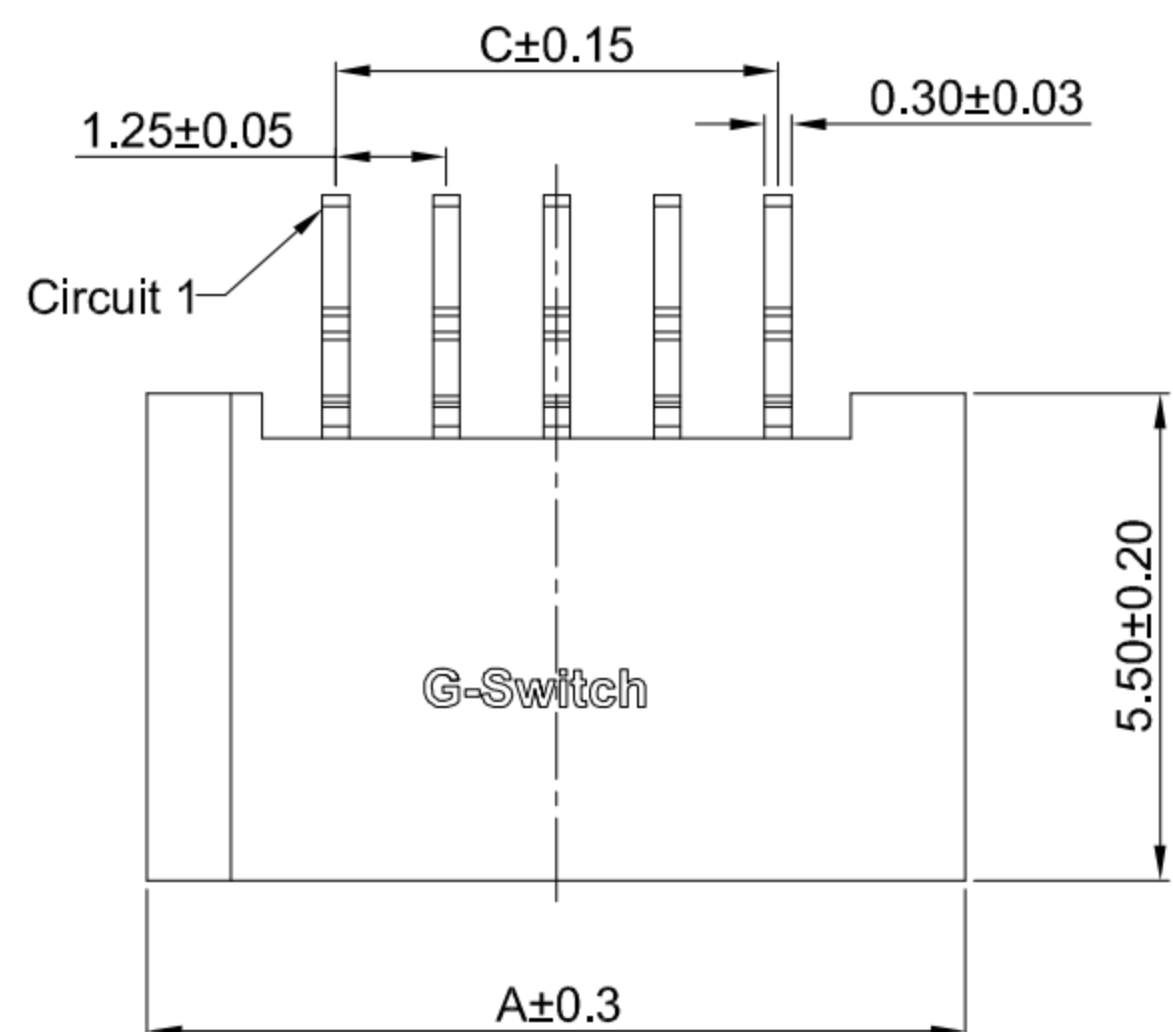
A

B

C

D

E



GT-F1251 S R 28 -XX X XX 01

G-Switch

Series No

Termipoint  
S-SMT

Angle  
R-90°

Terminal Plating  
BT-Bright Tin

Housing Colour  
B-Black

Pin Q' PY  
04~20

Height  
28-2.8mm

**G-Switch Specification:**

- 1.Current rated: 1.0A AC/DC
- 2.Voltage rating: 125V AC/DC
- 3.Withstanding voltage: 500V AC
- 4.Contact resistance: 50mΩ max.
- 5.Insulation resistance: 100MΩ min
- 6.Durability cycle: 20Cycles
- 7.Removal force: 0.05kgf/Pin min
- 8.Operating temperature range: -25°C ~ +85°C

**Ordering Information:**

Circuit	Dimensions(mm)			Circuit	Dimensions(mm)		
	A	B	C		A	B	C
04	8.00	6.40	3.75	12	18.00	16.40	13.75
05	9.25	7.65	5.00	13	19.25	17.65	15.00
06	10.50	8.90	6.25	14	20.50	18.90	16.25
07	11.75	10.15	7.50	15	21.75	20.15	17.50
08	13.00	11.40	8.75	16	23.00	21.40	18.75
09	14.25	12.65	10.00	17	24.25	22.65	20.00
10	15.50	13.90	11.25	18	25.50	23.90	21.25
11	16.75	15.15	12.50	19	26.75	25.15	22.50
12	18.00	16.40	13.75	20	28.00	26.40	23.75

PROPER CABLE

RECOMMENDED PCB LAYOUT  
TOLERANCE:±0.05

SCALE: 1:1 UNIT: mm

SIZE: A4

Title: FPC Pitch 1.25mm 90° Right SMT  
Single Row Double Sided Welding

Molde Code: GT-F1251SR28-XXXXX01

Unless otherwise  
General Tolerance:

X	±0.40
X.x	±0.30
X.xx	±0.20
X*	±5°
X.x°	±3°

DRAWN	CHECKED	APPROVED	DATE
Jiang	Hu	Chen	2022.11.18



REV: A0 SHEET: 1/1

2	CONTACT	PHOSPHOR BRONZE	BRIGHT Tin
1	HOUSING	PA6T,94V-0	BLACK
NO.	PART NAME	MATERIAL	REMARK

A

B

C

D

E