

G-Switch Specification:

1. Current rated: 0.3A AC/DC
2. Voltage rating: 30V AC/DC
3. Withstanding voltage: 500V AC for 1 min
4. Contact resistance: 100mΩ max.
5. Insulation resistance: 50MΩ min
6. Durability cycle: 10Cycles
7. Removal force: 0.015kgf/Pin min
8. Operating temperature range: -45°C ~ +85°C

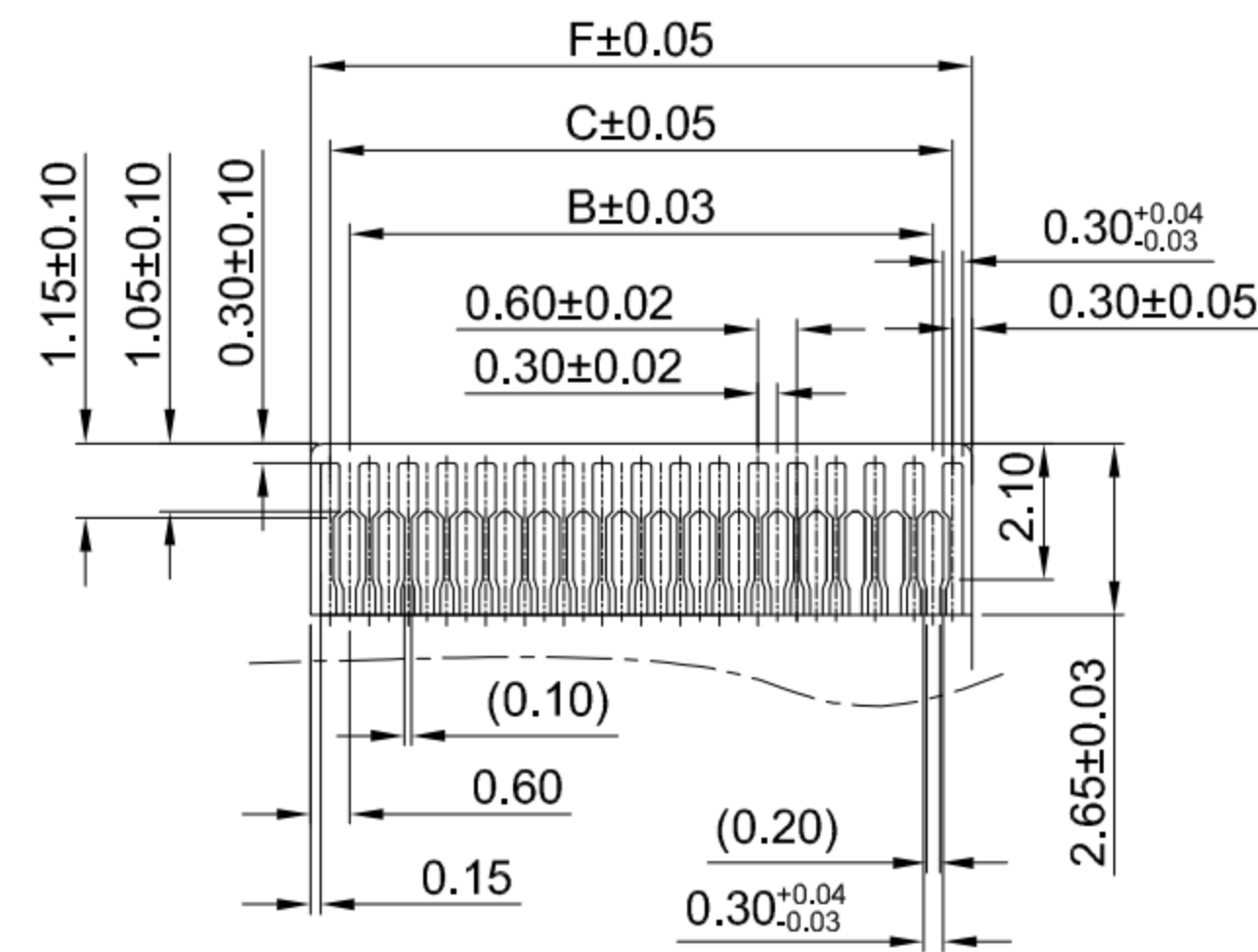
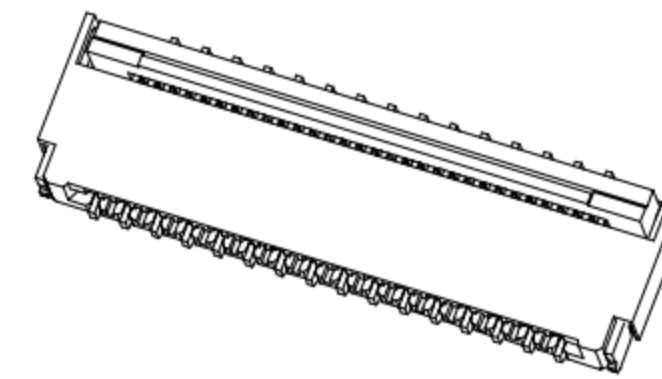
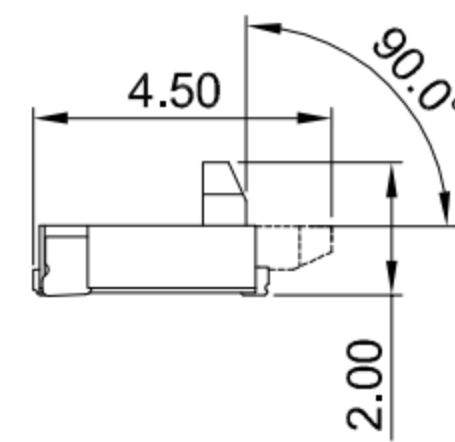
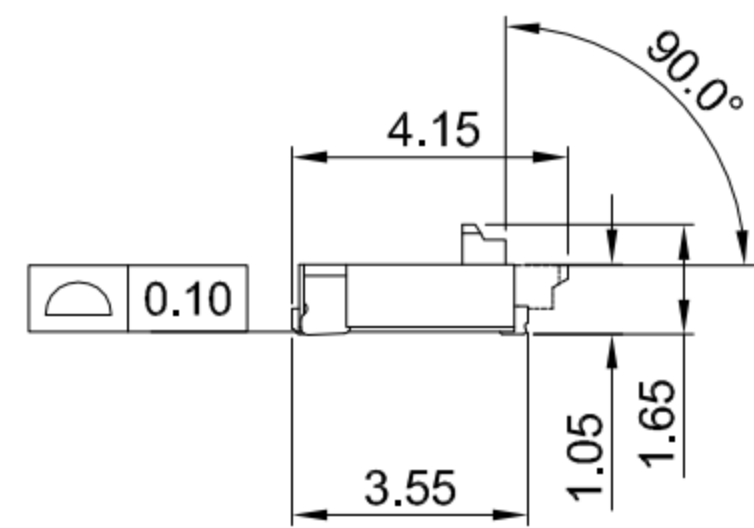
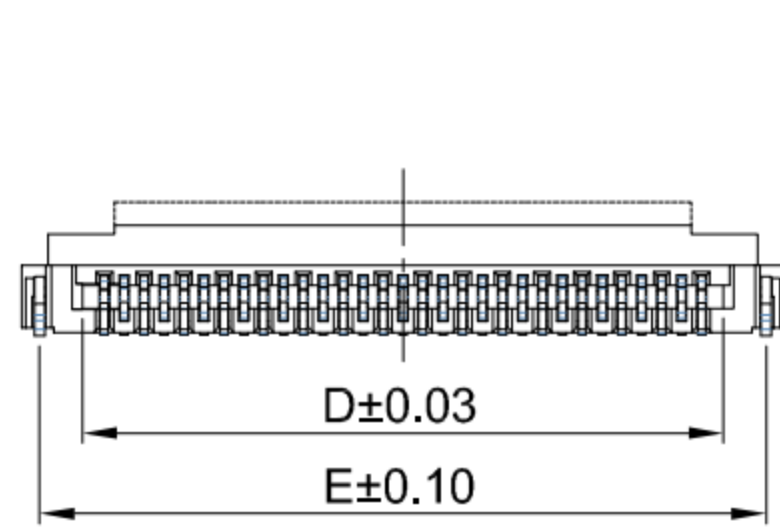


GT-F0301 S R 10 -XX X XX 01

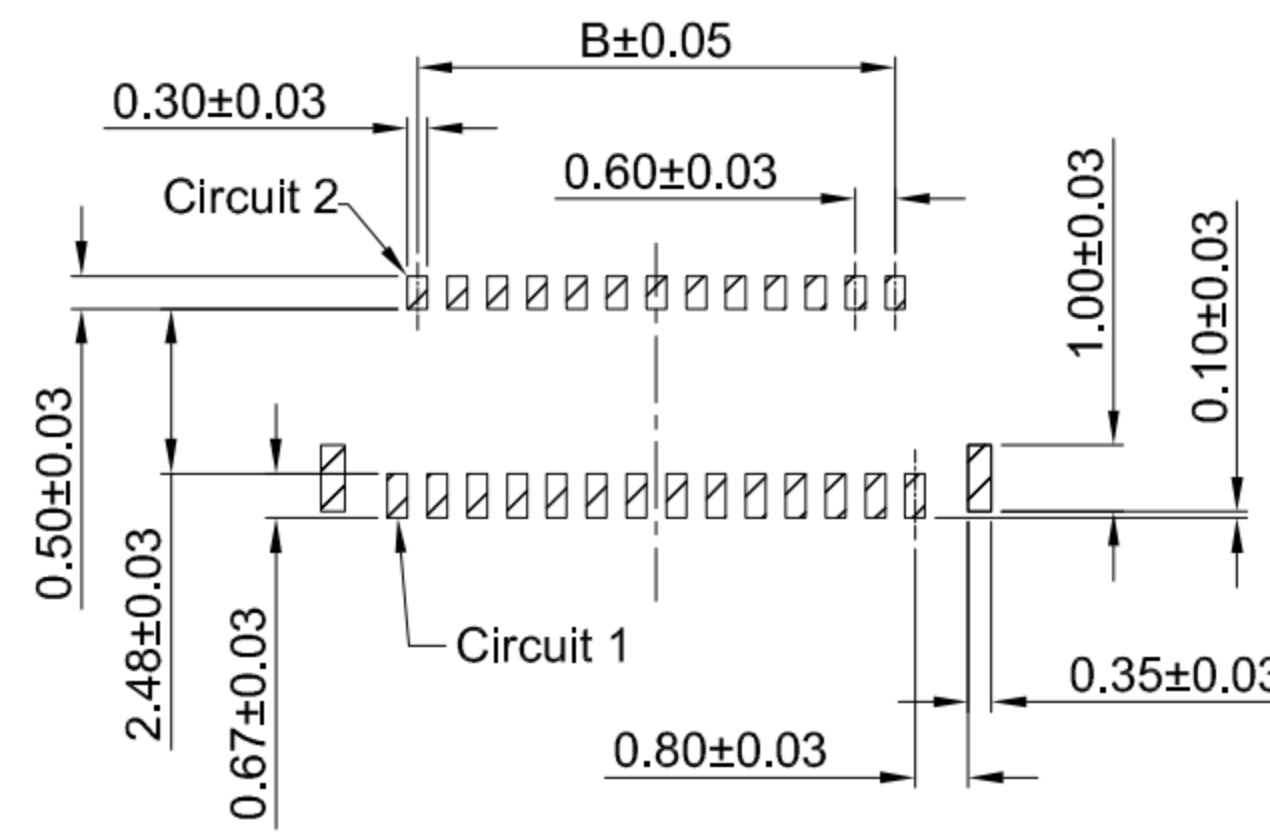
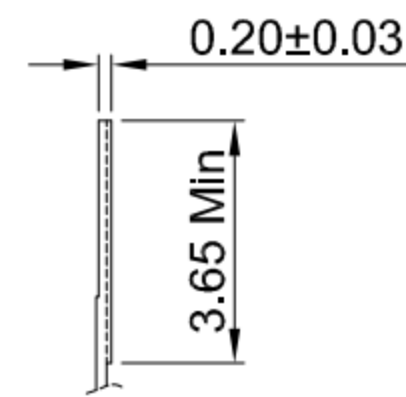
G-Switch
Series No
Termipoint
S-SMT
Angle
R-90°
Terminal Plating
01-G/F
Housing Colour
S-Nature
Pin Q' PY
09~51
Height
10-1.0mm

Ordering Information:

Circuit	Dimensions(mm)					
	A	B	C	D	E	F
09	4.90	1.80	2.40	3.03	4.35	3.00
11	5.50	2.40	3.00	3.63	4.95	3.60
13	6.10	3.00	3.60	4.23	5.55	4.20
15	6.70	3.60	4.20	4.83	6.15	4.80
17	7.30	4.20	4.80	5.43	6.75	5.40
19	7.90	4.80	5.40	6.03	7.35	6.00
21	8.50	5.40	6.00	6.63	7.95	6.60
23	9.10	6.00	6.60	7.23	8.55	7.20
25	9.70	6.60	7.20	7.83	9.15	7.80
27	10.30	7.20	7.80	8.43	9.75	8.40
29	10.90	7.80	8.40	9.03	10.35	9.00
31	11.50	8.40	9.00	9.63	10.95	9.60
33	12.10	9.00	9.60	10.23	11.55	10.20
35	12.70	9.60	10.20	10.83	12.15	10.80
37	13.30	10.20	10.80	11.43	12.75	11.40
39	13.90	10.80	11.40	12.03	13.35	12.00
41	14.50	11.40	12.00	12.63	13.95	12.60
43	15.10	12.00	12.60	13.23	14.55	13.20
45	15.70	12.60	13.20	13.83	15.15	13.80
47	16.30	13.20	13.80	14.43	15.75	14.40
49	16.90	13.80	14.40	15.03	16.35	15.20
51	17.50	14.40	15.00	15.63	16.95	15.60



APPLICABLE FPC



RECOMMENDED PCB LAYOUT
TOLERANCE:±0.05

Long Cover type

4	SOLDER TABS	PHOSPHOR BRONZE C5210	MATTE Tin
3	CONTACT	PHOSPHOR BRONZE C5210	Gold-Flash On Contact Area
2	COVER	LCP,94V-0	BLACK
1	HOUSING	LCP,94V-0	NATURE
NO.	PART NAME	MATERIAL	REMARK



SCALE: 1:1 UNIT: mm
 SIZE: A4

Unless otherwise
General Tolerance:
 X ±0.40
 X.x ±0.30
 X.xx ±0.20
 X* ±5°
 X.x° ±3°

Title: FPC 0.30mm Pitch 90° SMT Type
H1.00mm Back Flip Connector

Molde Code: GT-F0301SR10-XXXXX01

DRAWN	CHECKED	APPROVED	DATE
Hu	Chen	Chen	2022.12.28



REV: A0 SHEET: 1/1