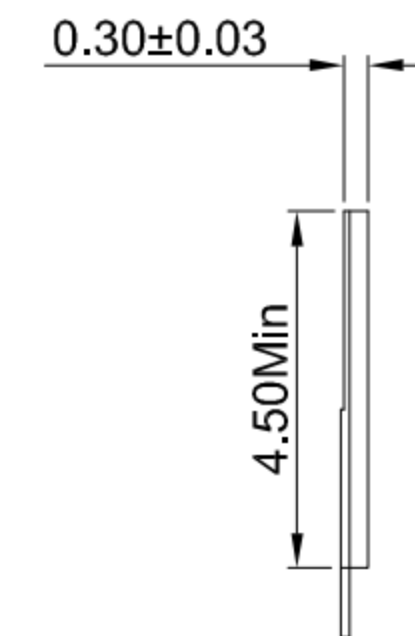
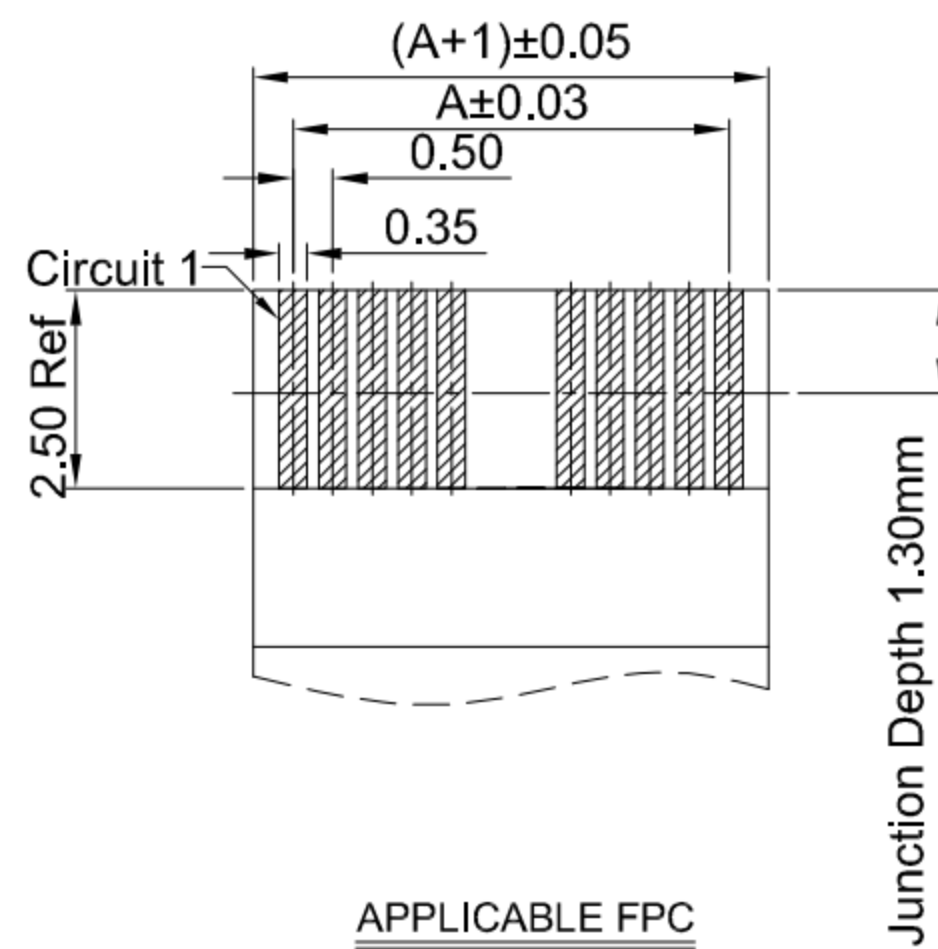
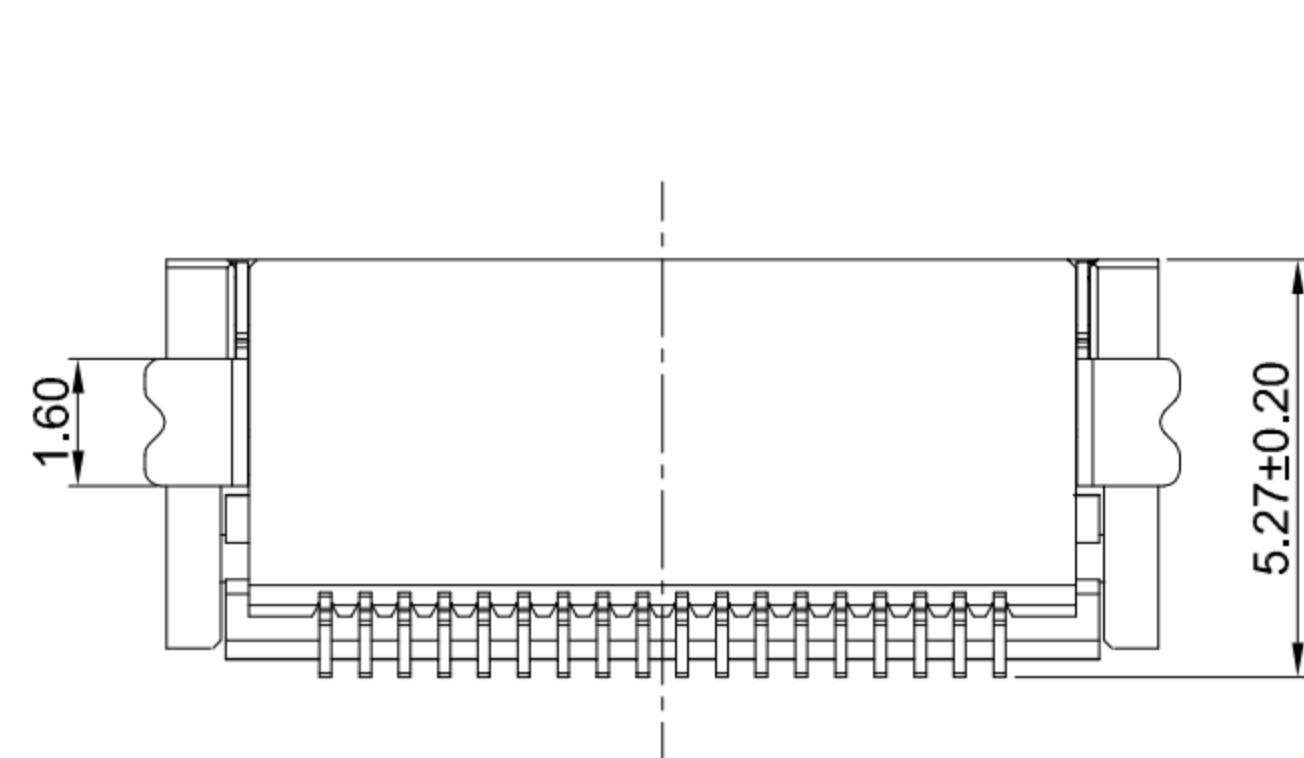
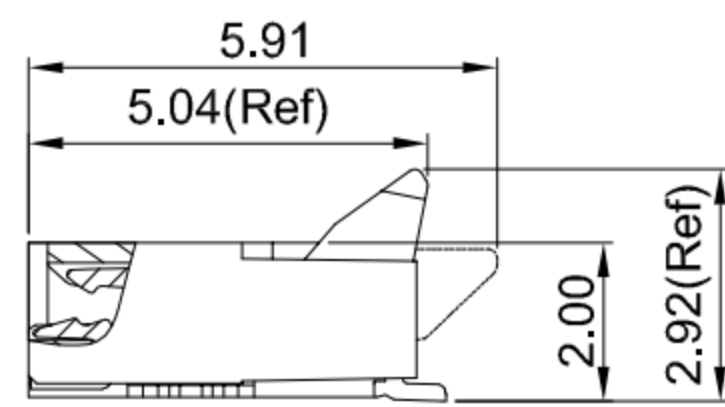
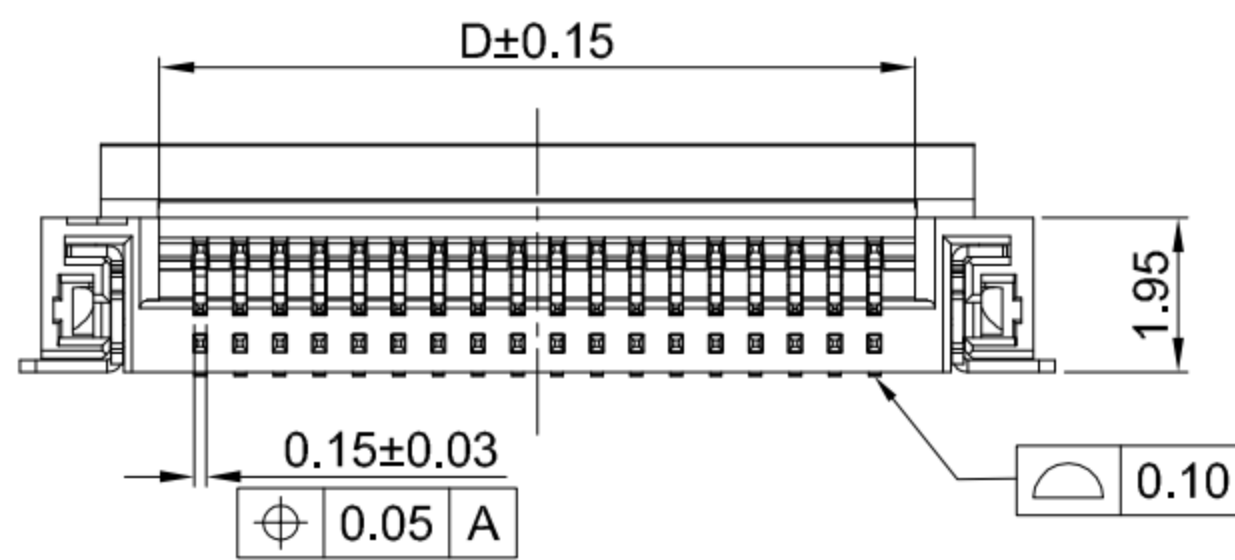
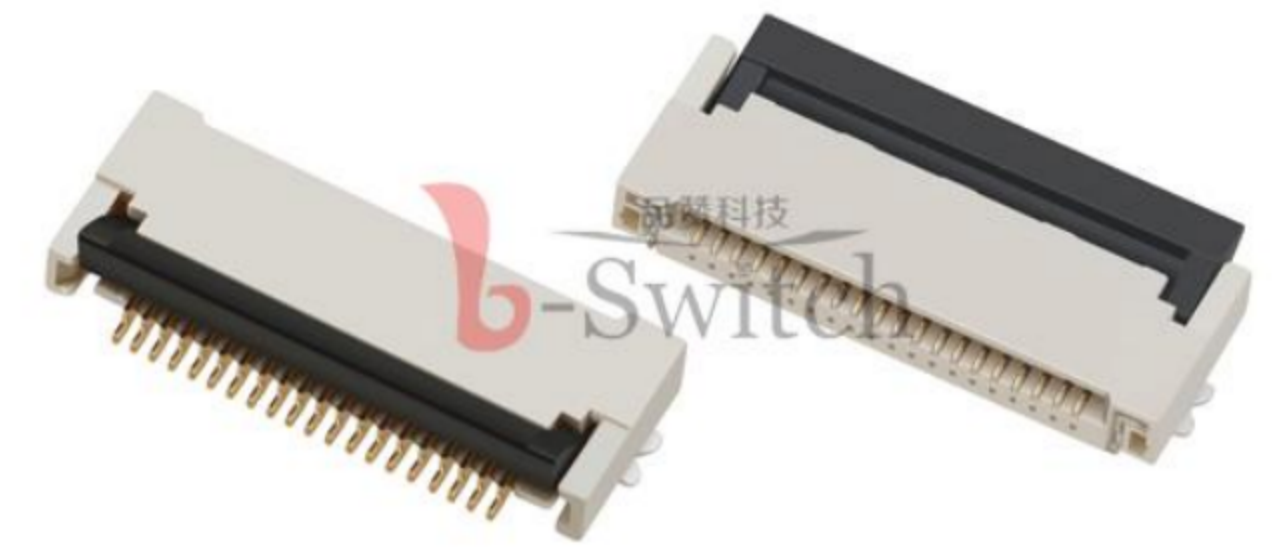


RECOMMENDED PCB LAYOUT
TOLERANCE:±0.05



G-Switch Specification:

1. Current rated: 0.5A AC/DC
2. Voltage rating: 50V AC/DC
3. Withstanding voltage: 250V AC
4. Contact resistance: 50mΩ max.
5. Insulation resistance: 100MΩ min
6. Durability cycle: 30Cycles
7. Removal force: 0.02kgf/Pin min
8. Operating temperature range: -55°C ~ +85°C



GT-F0503 S R 20 -XX X XX 01

G-Switch

Series No

Termipoint
S-SMT

Angle
R-90°

Terminal Plating
11-All G/F

Housing Colour
S-Nature

Pin Q' PY
04~96

Height
20-2.0mm

Ordering Information:

Circuit	Dimensions(mm)				Circuit	Dimensions(mm)			
	A	B	C	D		A	B	C	D
4	1.50	5.50	6.05	2.60	25	12.00	16.00	16.55	13.10
5	2.00	6.00	6.55	3.10	26	12.50	16.50	17.05	13.60
6	2.50	6.50	7.05	3.60	28	13.50	17.50	18.05	14.60
8	3.50	7.50	8.05	4.60	30	14.50	18.50	19.05	15.60
9	4.00	8.00	8.55	5.10	32	15.50	19.50	20.05	16.60
10	4.50	8.50	9.05	5.60	34	16.50	20.50	21.05	17.60
12	5.50	9.50	10.05	6.60	36	17.50	21.50	22.05	18.60
13	6.00	10.00	10.55	7.10	40	19.50	23.50	24.05	20.60
14	6.50	10.50	11.05	7.60	45	22.00	26.00	26.55	23.10
15	7.00	11.00	11.55	8.10	50	24.50	28.50	29.05	25.60
16	7.50	11.50	12.05	8.60	54	26.50	30.50	31.05	27.60
18	8.50	12.50	13.05	9.60	60	29.50	33.50	34.05	30.60
20	9.50	13.50	14.05	10.60	68	33.50	37.50	38.05	34.60
22	10.50	14.50	15.05	11.60	80	39.50	43.50	44.05	40.60
24	11.50	15.50	16.05	12.60	96	47.50	51.50	52.05	48.60

4	SOLDER TABS	BRASS	MATTE Tin
3	CONTACT	PHOSPHOR BRONZE	ALL Au G/F
2	COVER	PA9T,94V-0	BLACK
1	HOUSING	LCP,94V-0	NATURE
NO.	PART NAME	MATERIAL	REMARK

SCALE: 1:1 UNIT: mm
SIZE: A4

Unless otherwise
General Tolerance:
X ±0.40
X.x ±0.30
X.xx ±0.20
X* ±5°
X.x° ±3°

Title: FPC 0.50mm Pitch 90° SMT Type
H2.0mm Back Flip Connector

Molde Code: GT-F0503SR20-XXXXX01

DRAWN	CHECKED	APPROVED	DATE
Hu	Chen	Chen	2022.12.28



REV: A0 SHEET: 1/1

