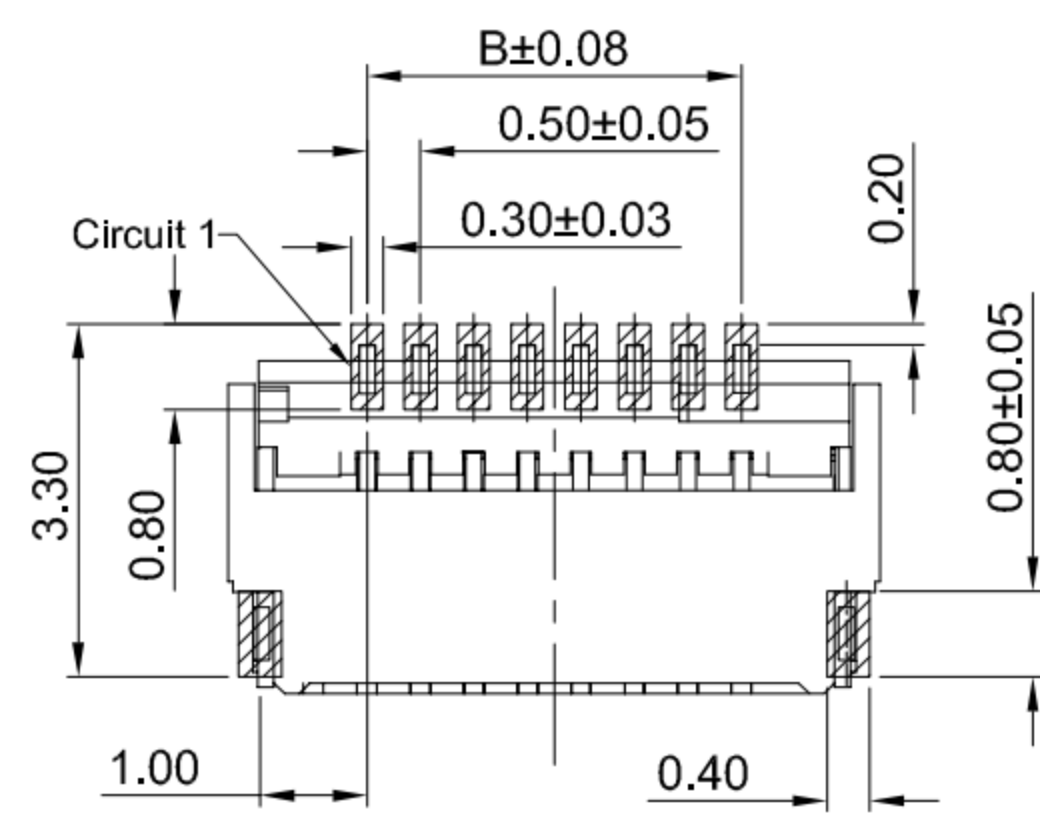
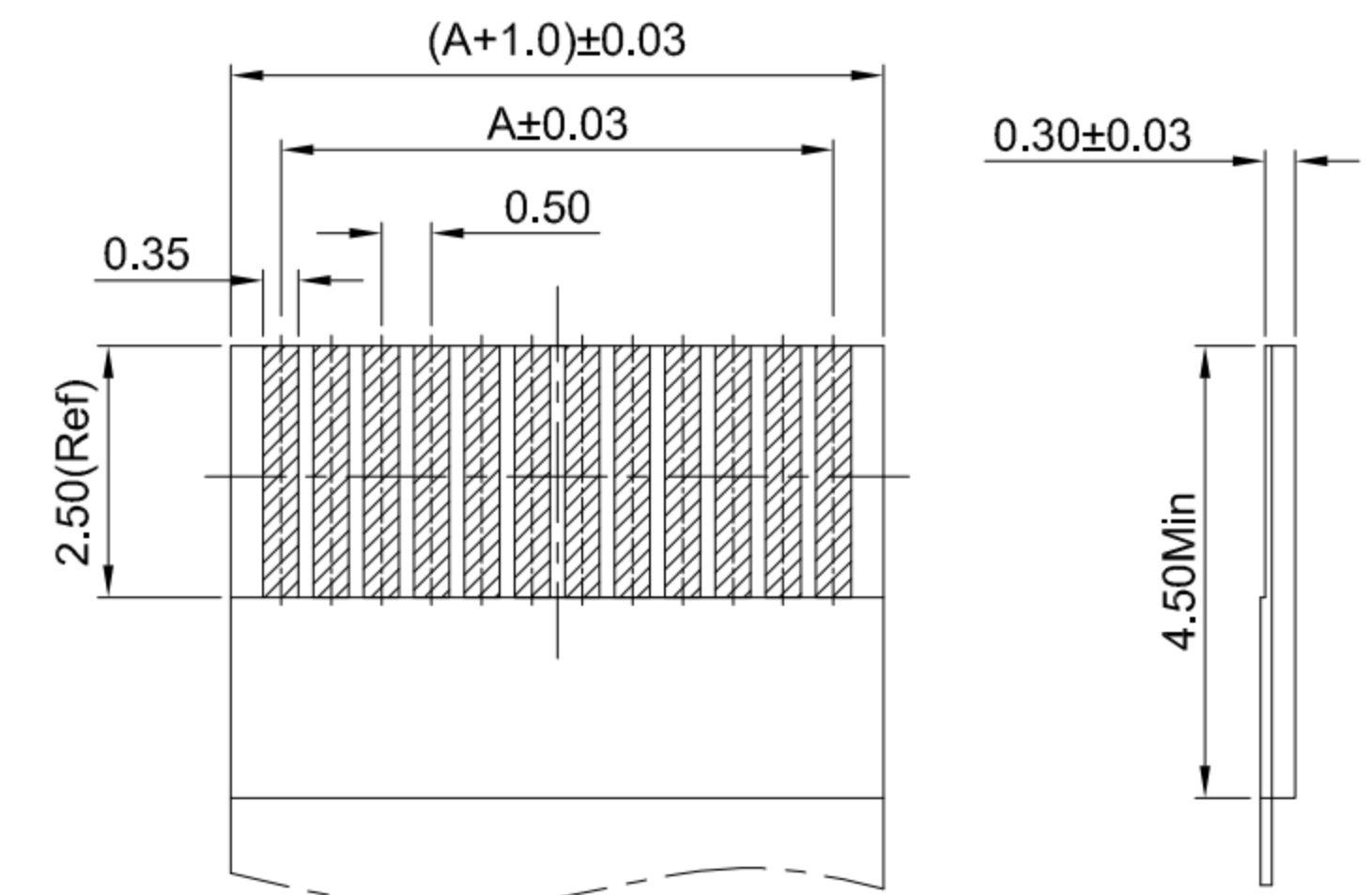
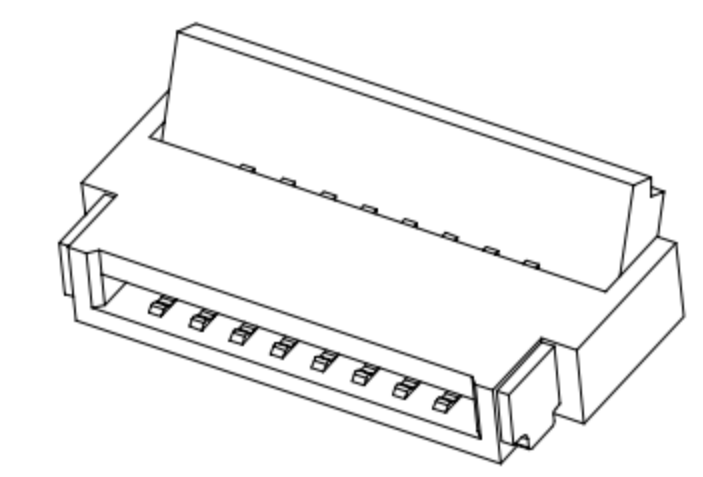
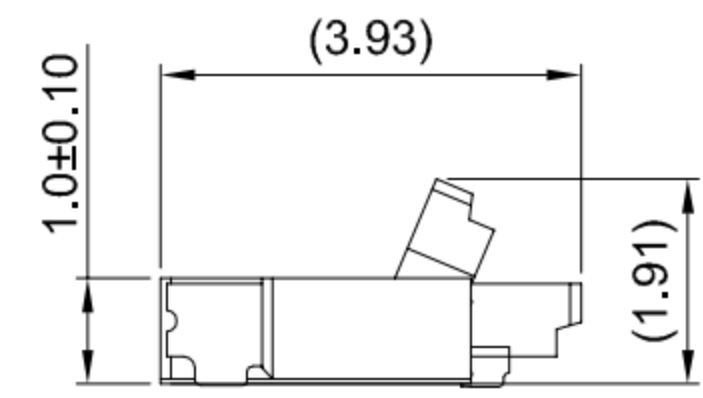
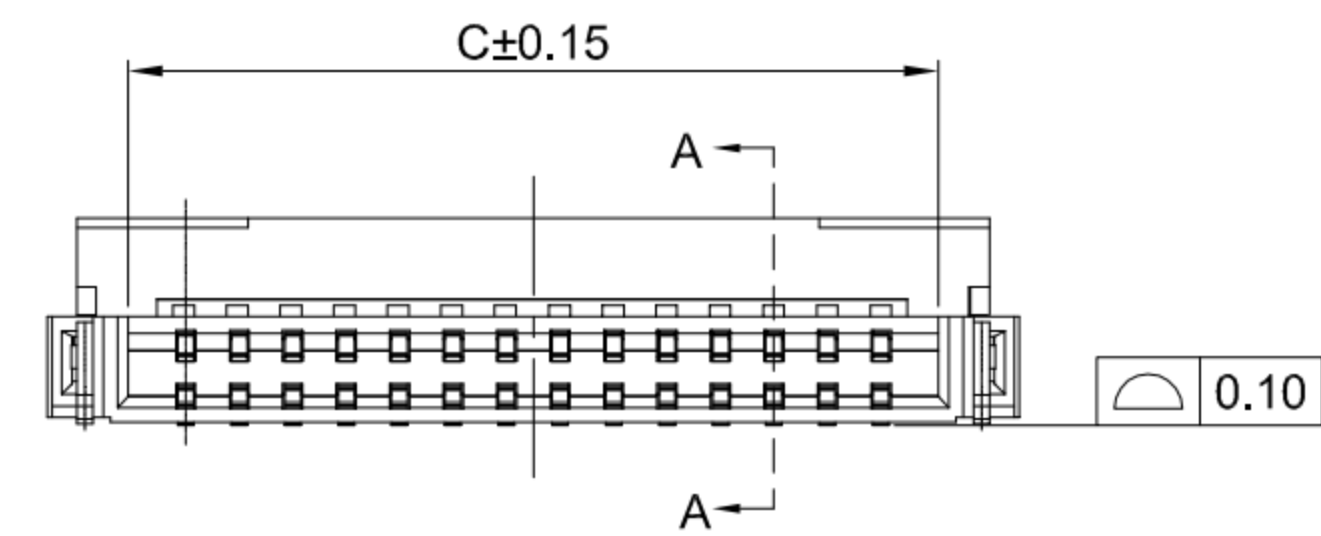


- G-Switch Specification:**
- 1.Current rated: 0.5A AC/DC
 - 2.Voltage rating: 50V AC/DC
 - 3.Withstanding voltage: 500V AC
 - 4.Contact resistance: 20mΩ max.
 - 5.Insulation resistance: 500MΩ min
 - 6.Durability cycle: 20Cycles
 - 7.Removal force: 0.03kgf/Pin min
 - 8.Operating temperature range: -25°C ~ +85°C



GT-F0508 S R 10 -XX X XX 01

- G-Switch**
- Series No**
- Termipoint**
S-SMT
- Angle**
R-90°
- Terminal Plating**
01-G/F
- Housing Colour**
S-Nature
- Pin Q' PY**
04~40
- Height**
10-1.0mm



Ordering Information:

| Circuit | Dimensions(mm) | | | Circuit | Dimensions(mm) | | |
|---------|----------------|------|-------|---------|----------------|-------|-------|
| | A | B | C | | A | B | C |
| 04 | 4.09 | 1.50 | 2.60 | 22 | 13.09 | 10.50 | 11.60 |
| 05 | 4.59 | 2.00 | 3.10 | 24 | 14.09 | 11.50 | 12.60 |
| 06 | 5.09 | 2.50 | 3.60 | 26 | 15.09 | 12.50 | 13.60 |
| 08 | 6.09 | 3.50 | 4.60 | 28 | 16.09 | 13.50 | 14.60 |
| 10 | 7.09 | 4.50 | 5.60 | 30 | 17.09 | 14.50 | 15.60 |
| 12 | 8.09 | 5.50 | 6.60 | 32 | 18.09 | 15.50 | 16.60 |
| 14 | 9.09 | 6.50 | 7.60 | 34 | 19.09 | 16.50 | 17.60 |
| 16 | 10.09 | 7.50 | 8.60 | 36 | 20.09 | 17.50 | 18.60 |
| 18 | 11.09 | 8.50 | 9.60 | 38 | 21.09 | 18.50 | 19.60 |
| 20 | 12.09 | 9.50 | 10.60 | 40 | 22.09 | 19.50 | 20.60 |

| | | | |
|-----|-------------|-----------------|----------------------------|
| 4 | SOLDER TABS | BRASS | MATTE Tin |
| 3 | CONTACT | PHOSPHOR BRONZE | Gold-Flash On Contact Area |
| 2 | COVER | LCP,94V-0 | BLACK |
| 1 | HOUSING | LCP,94V-0 | NATURE |
| NO. | PART NAME | MATERIAL | REMARK |



SCALE: 1:1 UNIT: mm
 SIZE: A4
 Unless otherwise General Tolerance:
 X ±0.40
 X.x ±0.30
 X.xx ±0.20
 X* ±5°
 X.x° ±3°

Title: FPC 0.50mm Pitch 90° SMT Type H1.00mm Back Flip Connector
 Molde Code: GT-F0508SR10-XXXXX01
 DRAWN: JIANG CHECKED: HU APPROVED: CHEN DATE: 2021.06.28



REV: A0 SHEET: 1/1