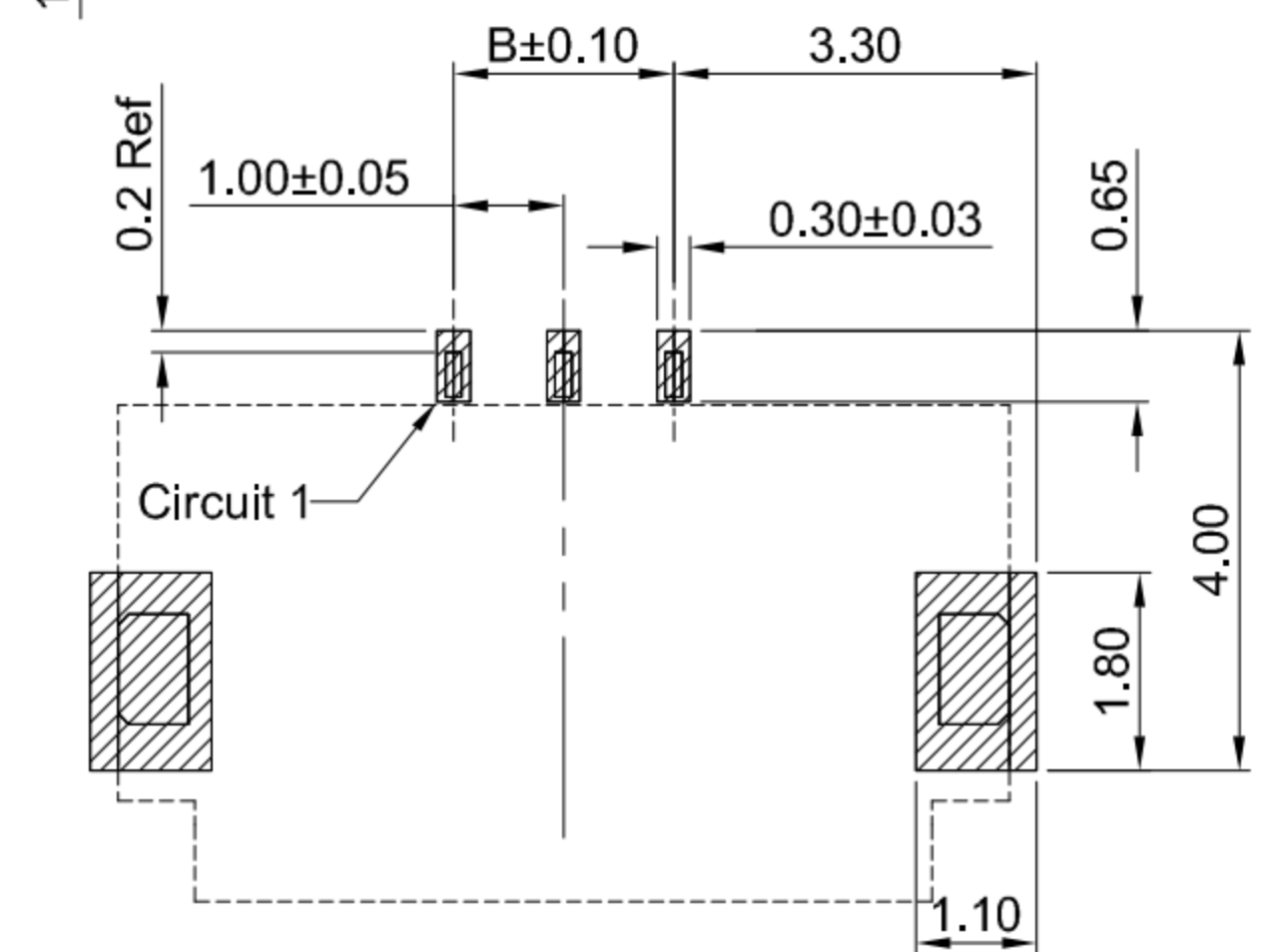
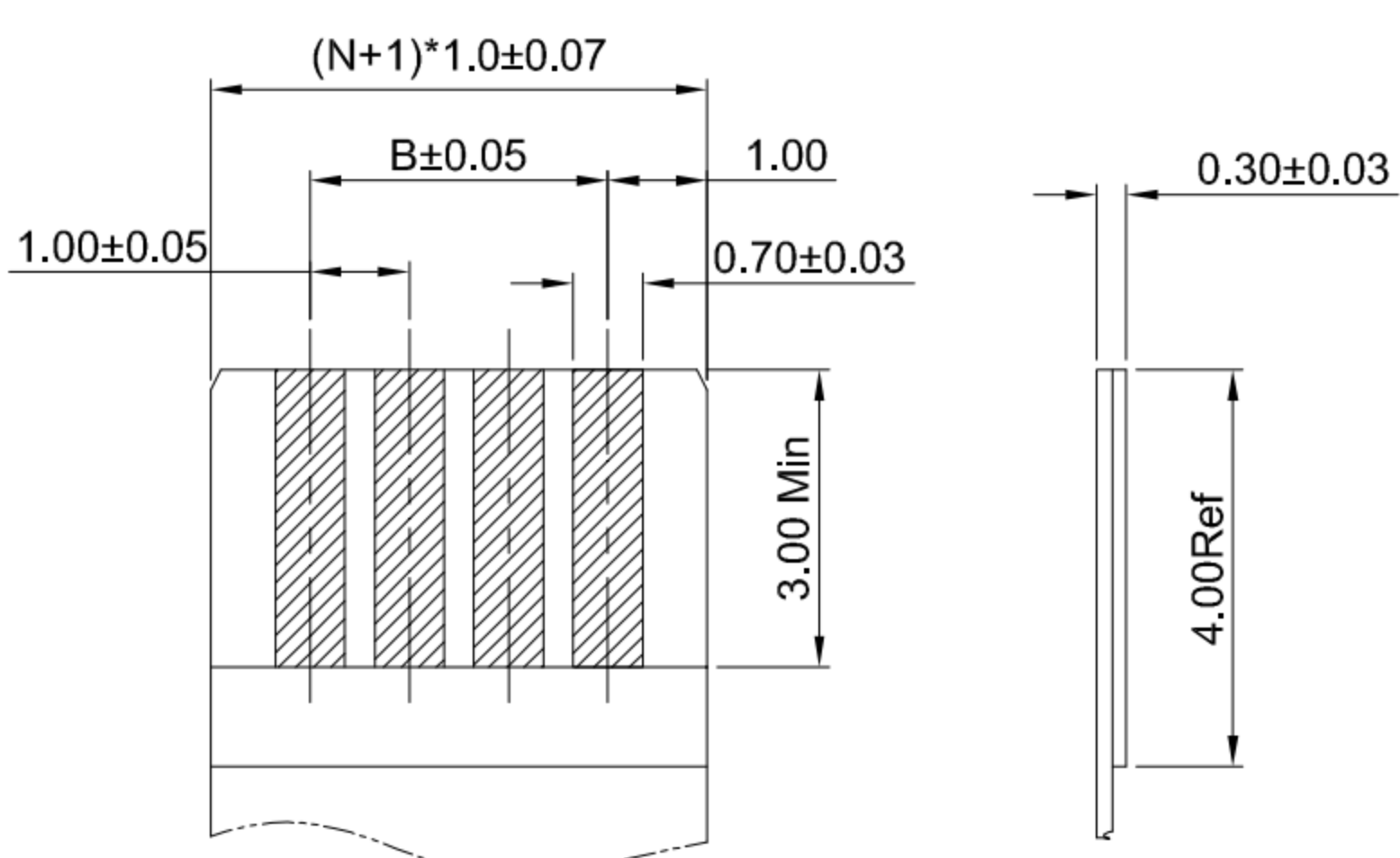
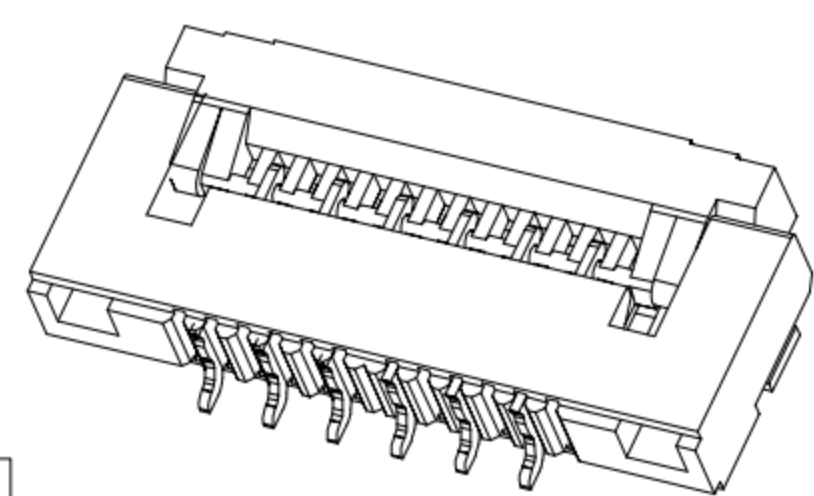
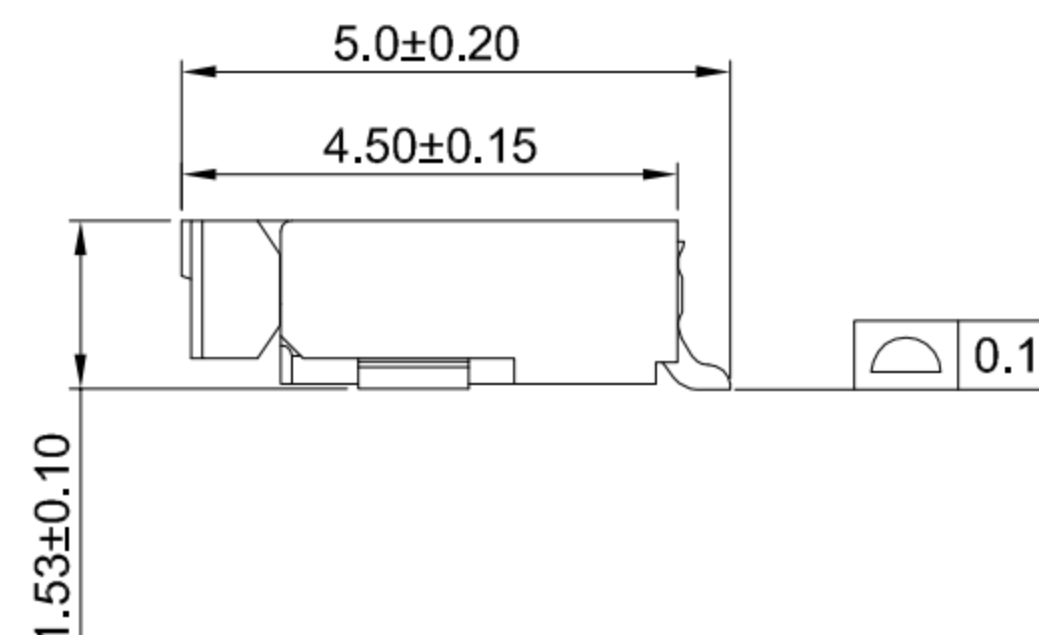
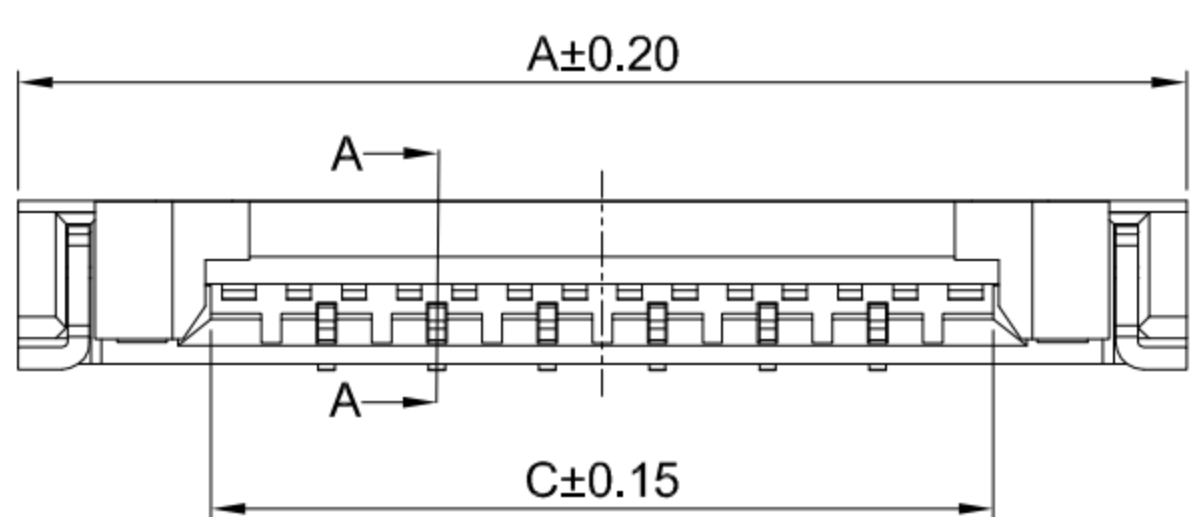


- G-Switch Specification:**
- 1.Current rated: 0.5A AC/DC
  - 2.Voltage rating: 50V AC/DC
  - 3.Withstanding voltage: 250V AC
  - 4.Contact resistance: 40mΩ max.
  - 5.Insulation resistance: 500MΩ min
  - 6.Durability cycle: 20Cycles
  - 7.Removal force: 0.03kgf/Pin min
  - 8.Operating temperature range: -25°C ~ +85°C



GT-F1013 S R 15 -XX X XX 01

- G-Switch**
- Series No**
- Termipoint**  
S-SMT
- Angle**  
R-90°
- Terminal Plating**  
MT-Matte tin  
01-G/F
- Housing Colour**  
S-Nature
- Pin Q' PY**  
04~30
- Height**  
15-1.50mm



**Ordering Information:**

Circuit	Dimensions(mm)			Circuit	Dimensions(mm)		
	A	B	C		A	B	C
4	8.60	3.00	5.07	17	21.60	16.00	18.07
5	9.60	4.00	6.07	18	22.60	17.00	19.07
6	10.60	5.00	7.07	19	23.60	18.00	20.07
7	11.60	6.00	8.07	20	24.60	19.00	21.07
8	12.60	7.00	9.07	21	25.60	20.00	22.07
9	13.60	8.00	10.07	22	26.60	21.00	23.07
10	14.60	9.00	11.07	23	27.60	22.00	24.07
11	15.60	10.00	12.07	24	28.60	23.00	25.07
12	16.60	11.00	13.07	25	29.60	24.00	26.07
13	17.60	12.00	14.07	26	30.60	25.00	27.07
14	18.60	13.00	15.07	27	31.60	26.00	28.07
15	19.60	14.00	16.07	28	32.60	27.00	29.07
16	20.60	15.00	17.07	30	34.60	29.00	31.07

**APPLICABLE FPC**

NO.	PART NAME	MATERIAL	REMARK
4	SOLDER TABS	BRASS	MATTE Tin
3	CONTACT	PHOSPHOR BRONZE	Gold-Flash On Contact Area Or Matte Tin
2	COVER	LCP,94V-0	BLACK
1	HOUSING	LCP,94V-0	NATURE

**RECOMMENDED PCB LAYOUT TOLERANCE:±0.05**



SCALE: 1:1 UNIT: mm  
SIZE: A4

Unless otherwise General Tolerance:  
X ±0.40  
X.x ±0.30  
X.xx ±0.20  
X\* ±5°  
X.x° ±3°

Title: FPC 1.00mm Pitch 90° SMT Type  
H1.50mm Connector

Molde Code: GT-F1013SR15-XXXXX01

DRAWN	CHECKED	APPROVED	DATE
Jiang	Hu	Chen	2021.06.28



REV: A0 SHEET: 1/1