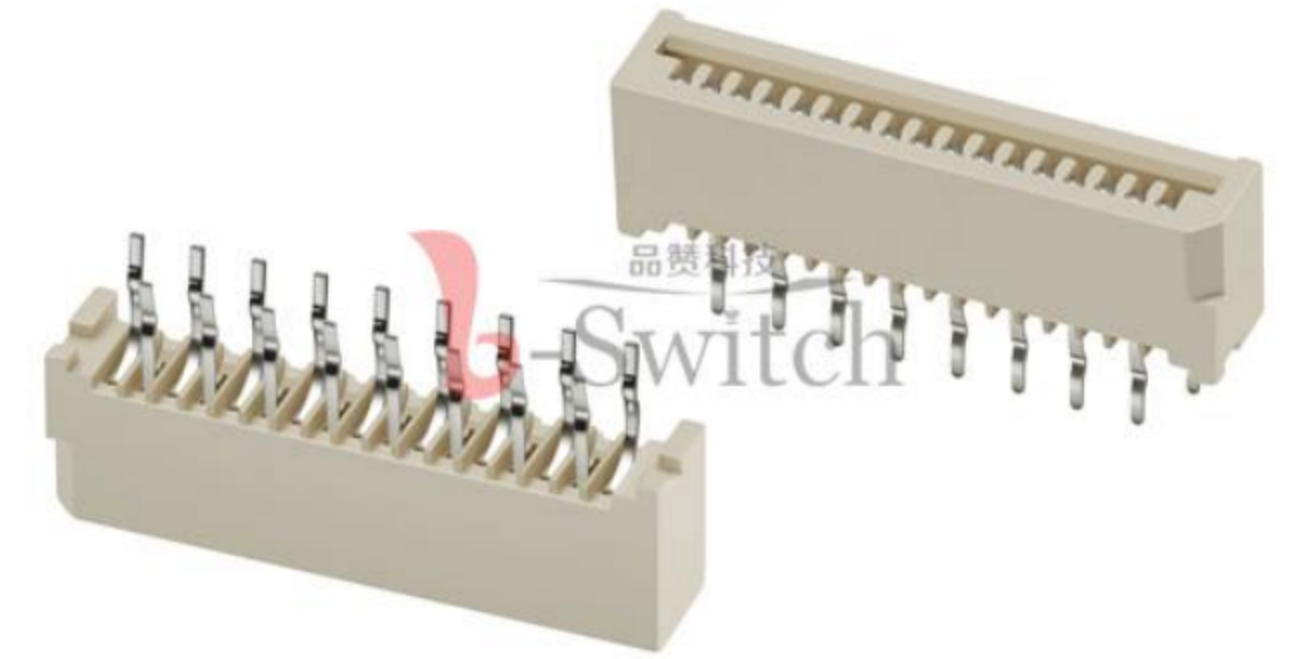


**G-Switch Specification:**

1. Current rated: 1.0A AC/DC
2. Voltage rating: 125V AC/DC
3. Withstanding voltage: 500V AC
4. Contact resistance: 50mΩ max.
5. Insulation resistance: 100MΩ min
6. Durability cycle: 50Cycles
7. Removal force: 0.70kgf/Pin min
8. Operating temperature range: -25°C ~ +85°C

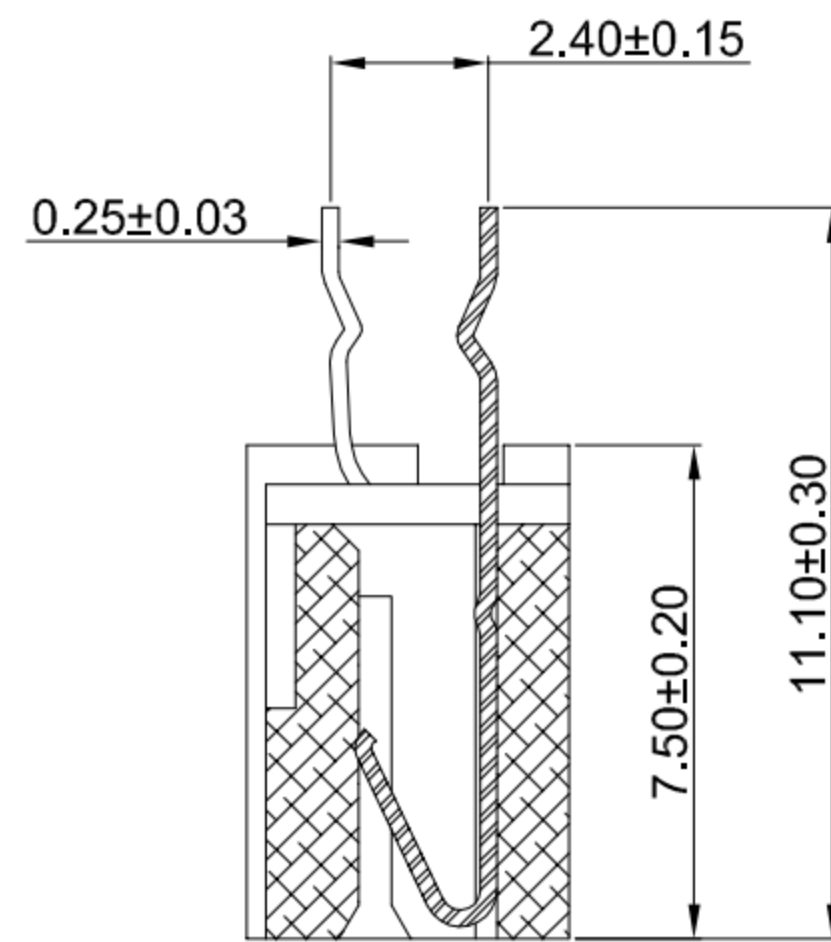
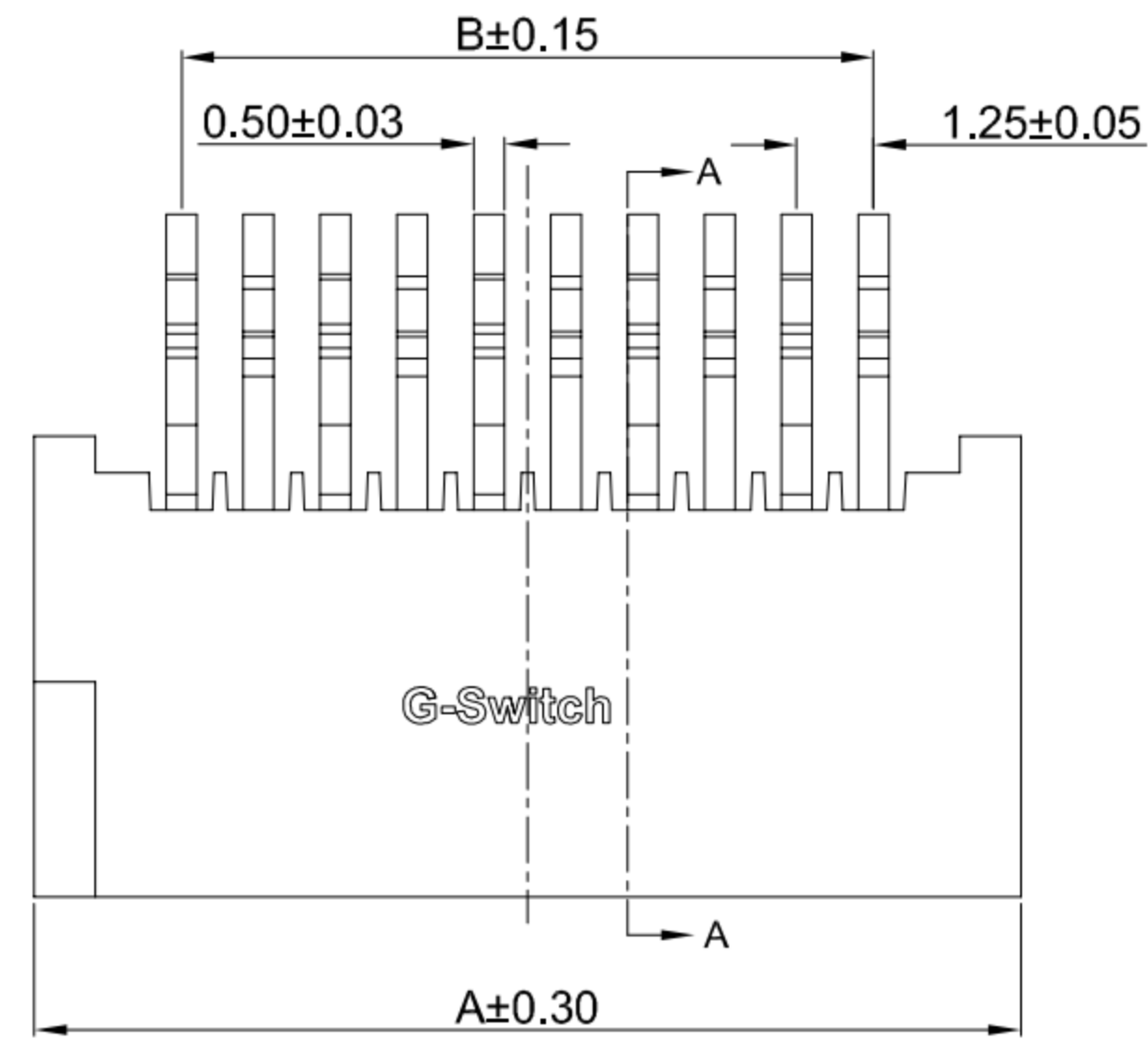


1

1

2

2



SECTION:A-A

GT-F1252 D V 75 -XX X XX 01

G-Switch

Series No

Termipoint  
D-DIP

Angle  
V-180°

Terminal Plating  
BT-Bright Tin

Housing Colour  
S-Nature

Pin Q' PY  
04~30

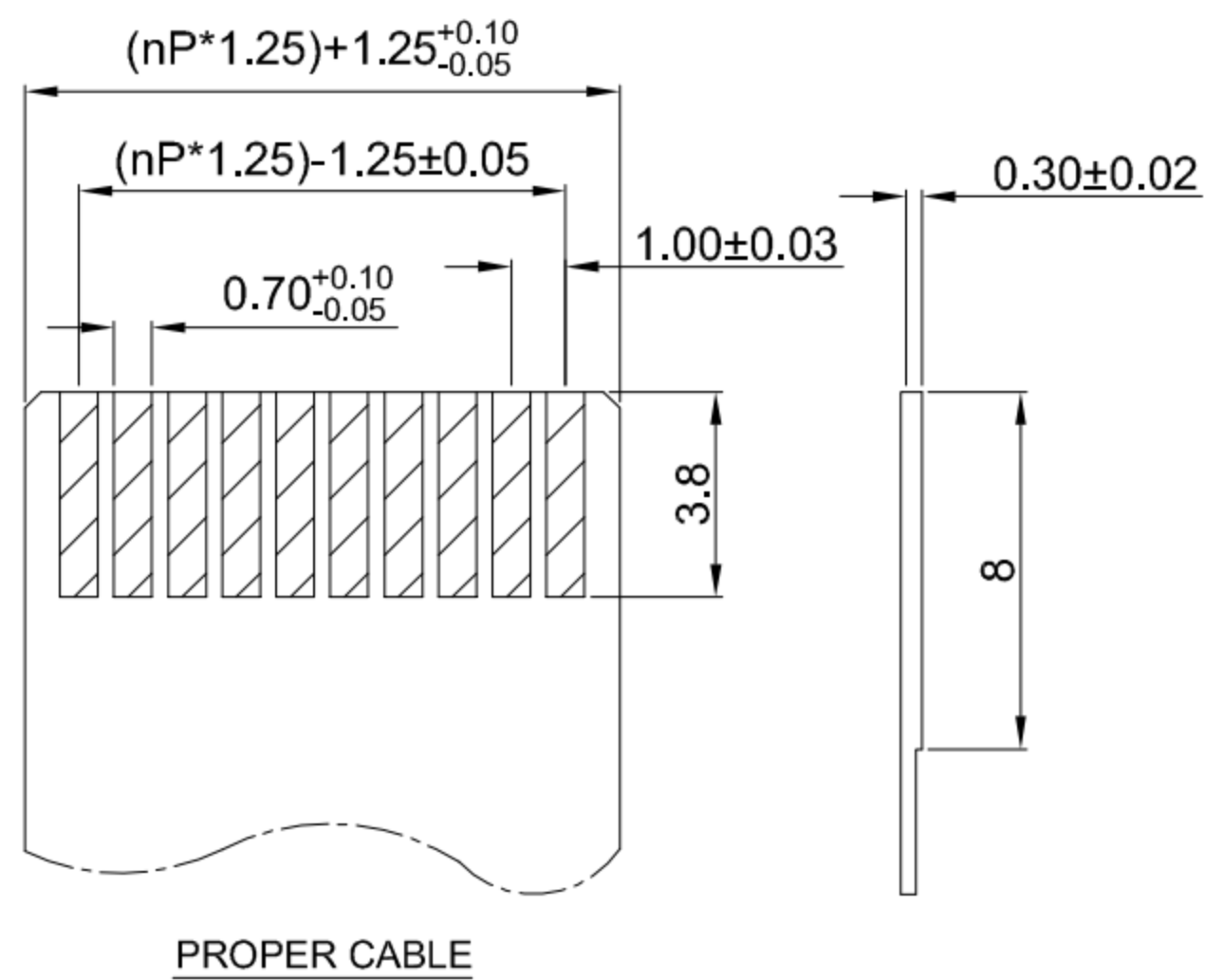
Height  
75-7.50mm

3

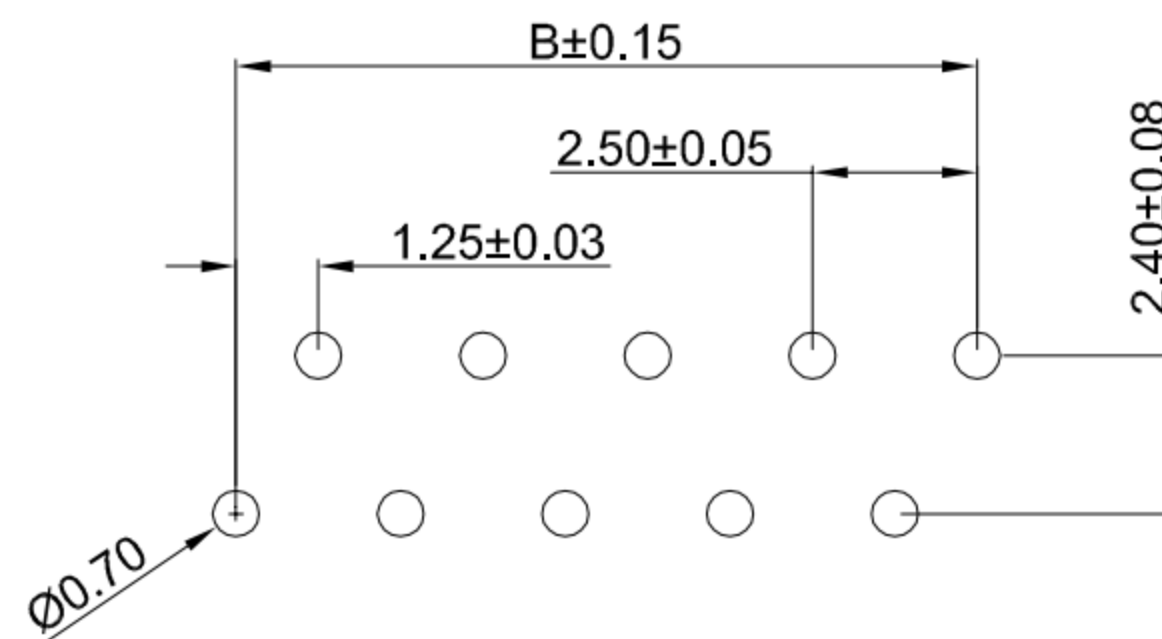
3

4

4



PROPER CABLE



RECOMMENDED PCB LAYOUT  
TOLERANCE:±0.05

**Ordering Information:**

Circuit	Dimensions(mm)			Circuit	Dimensions(mm)		
	A	B	C		A	B	C
04	8.55	3.75	6.65	18	26.05	21.25	24.15
05	9.80	5.00	7.90	19	27.30	22.50	25.40
06	11.05	6.25	9.15	20	28.55	23.75	26.65
07	12.30	7.50	10.40	21	29.80	25.00	27.90
08	13.55	8.75	11.65	22	31.05	26.25	29.15
09	14.80	10.00	12.90	23	32.30	27.50	30.40
10	16.05	11.25	14.15	24	33.55	28.75	31.65
11	17.30	12.50	15.40	25	34.80	30.00	32.90
12	18.55	13.75	16.65	26	36.05	31.25	34.15
13	19.80	15.00	17.90	27	37.30	32.50	35.40
14	21.05	16.25	19.15	28	38.55	33.75	36.65
15	22.30	17.50	20.40	29	39.80	35.00	37.90
16	23.55	18.75	21.65	30	41.05	36.25	39.15
17	24.80	20.00	22.90	--	--	--	--

SCALE: 1:1 UNIT: mm

SIZE: A4

Unless otherwise  
General Tolerance:

X	±0.40
X.x	±0.30
X.xx	±0.20
X*	±5°
X.x°	±3°

Title: FPC 1.25mm Pitch 180° Dip Double Row  
Single Sided Welding

Molde Code: GT-F1252DV75-XXXXX01

DRAWN	CHECKED	APPROVED	DATE
Jiang	Hu	Chen	2022.11.18



REV: A0 SHEET: 1/1

5

5

2	CONTACT	PHOSPHOR BRONZE	BRIGHT Tin
1	HOUSING	LCP,94V-0	NATURE
NO.	PART NAME	MATERIAL	REMARK

A

B

C

D

E