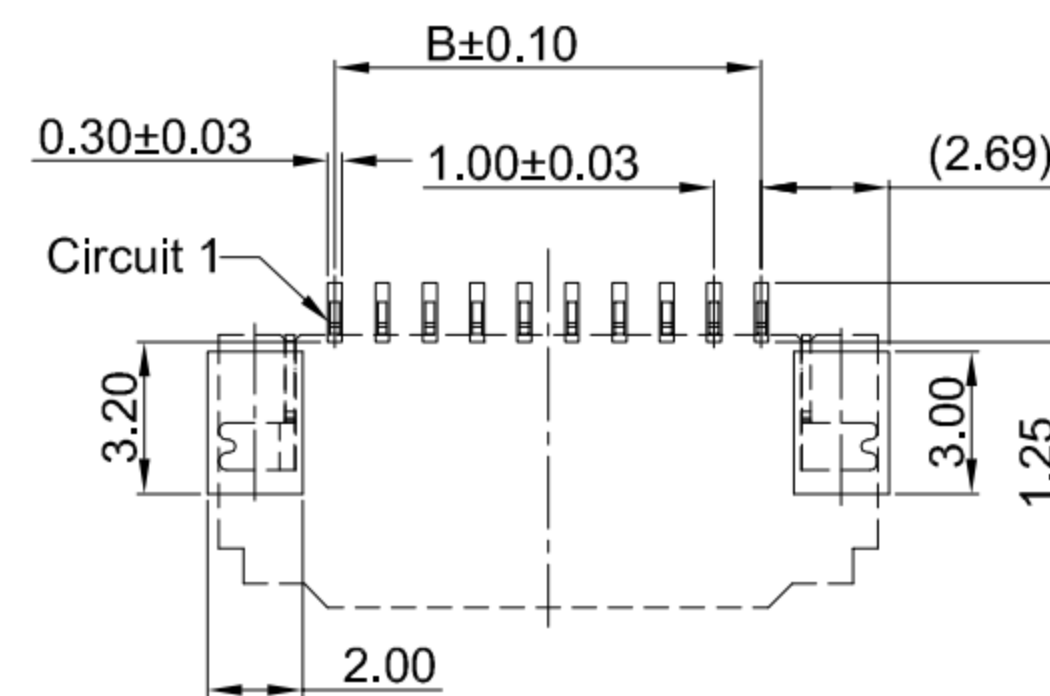
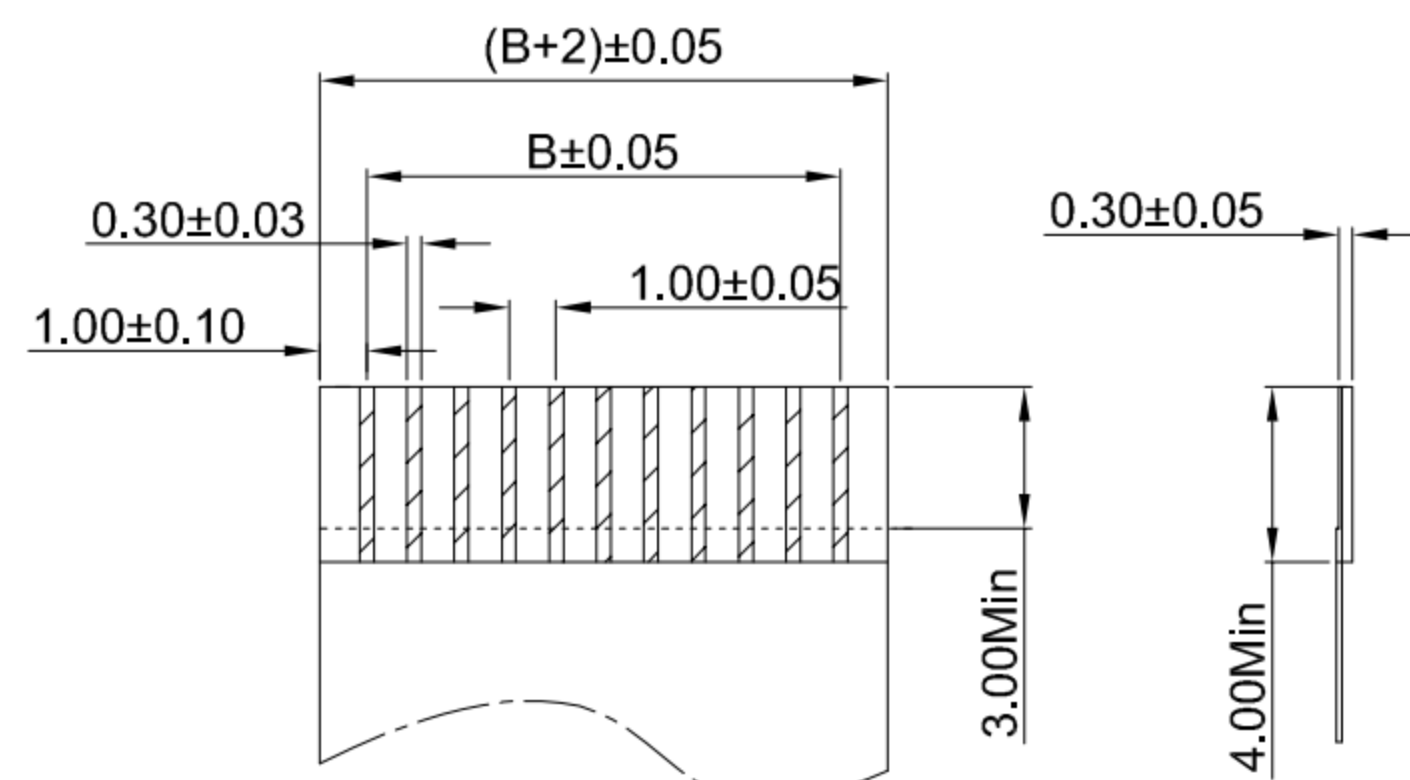
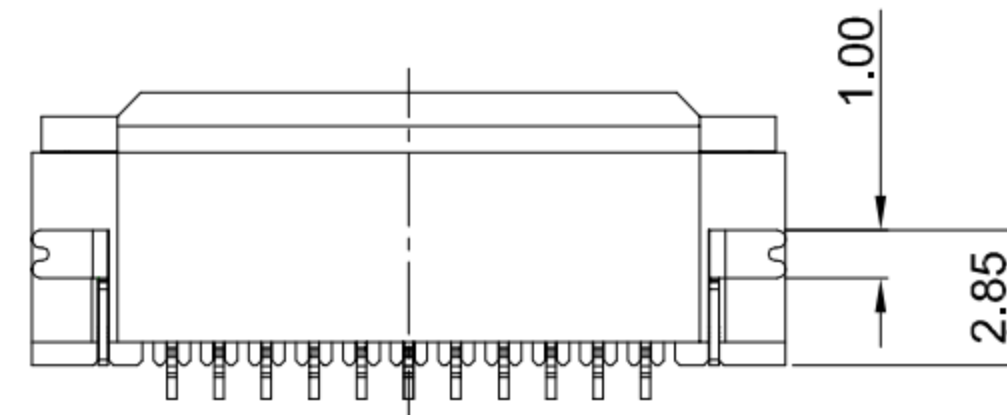
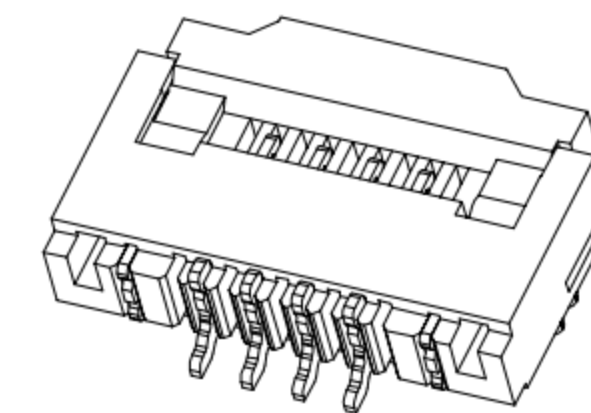
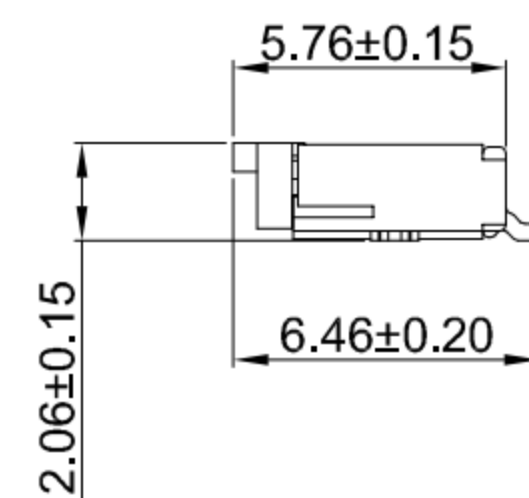


- G-Switch Specification:**
- 1.Current rated: 0.4A AC/DC
 - 2.Voltage rating: 50V AC/DC
 - 3.Withstanding voltage: 200V AC for 1 min
 - 4.Contact resistance: 20mΩ max.
 - 5.Insulation resistance: 50MΩ min
 - 6.Durability cycle: 20Cycles
 - 7.Removal force: 0.04kgf/Pin min
 - 8.Operating temperature range: -25°C ~ +85°C



GT-F1010 S R 20 -XX X XX 01

- G-Switch**
- Series No**
- Termipoint**
S-SMT
- Angle**
R-90°
- Terminal Plating**
MT-Matte Tin
11-All G/F
- Housing Colour**
S-Nature
- Pin Q' PY**
03~32
- Height**
20-2.06mm



Ordering Information:

| Circuit | Dimension | | | | Circuit | Dimension | | | |
|---------|-----------|-------|-------|-------|---------|-----------|-------|-------|-------|
| | A | B | C | D | | A | B | C | D |
| 03 | 7.90 | 2.00 | 7.50 | 4.10 | 18 | 22.90 | 17.00 | 22.50 | 19.10 |
| 04 | 8.90 | 3.00 | 8.50 | 5.10 | 19 | 23.90 | 18.00 | 23.50 | 20.10 |
| 05 | 9.90 | 4.00 | 9.50 | 6.10 | 20 | 24.90 | 19.00 | 24.50 | 21.10 |
| 06 | 10.90 | 5.00 | 10.50 | 7.10 | 21 | 25.90 | 20.00 | 25.50 | 22.10 |
| 07 | 11.90 | 6.00 | 11.50 | 8.10 | 22 | 26.90 | 21.00 | 26.50 | 23.10 |
| 08 | 12.90 | 7.00 | 12.50 | 9.10 | 23 | 27.90 | 22.00 | 27.50 | 24.10 |
| 09 | 13.90 | 8.00 | 13.50 | 10.10 | 24 | 28.90 | 23.00 | 28.50 | 25.10 |
| 10 | 14.90 | 9.00 | 14.50 | 11.10 | 25 | 29.90 | 24.00 | 29.50 | 26.10 |
| 11 | 15.90 | 10.00 | 15.50 | 12.10 | 26 | 30.90 | 25.00 | 30.50 | 27.10 |
| 12 | 16.90 | 11.00 | 16.50 | 13.10 | 27 | 31.90 | 26.00 | 31.50 | 28.10 |
| 13 | 17.90 | 12.00 | 17.50 | 14.10 | 28 | 32.90 | 27.00 | 32.50 | 29.10 |
| 14 | 18.90 | 13.00 | 18.50 | 15.10 | 29 | 33.90 | 28.00 | 33.50 | 30.10 |
| 15 | 19.90 | 14.00 | 19.50 | 16.10 | 30 | 34.90 | 29.00 | 34.50 | 31.10 |
| 16 | 20.90 | 15.00 | 20.50 | 17.10 | 31 | 35.90 | 30.00 | 35.50 | 32.10 |
| 17 | 21.90 | 16.00 | 21.50 | 18.10 | 32 | 36.90 | 31.00 | 36.50 | 33.10 |

| | | | |
|-----|-------------|-----------------|---------------------|
| 4 | SOLDER TABS | BRASS | MATTE Tin |
| 3 | CONTACT | PHOSPHOR BRONZE | MATTE Tin OR ALLG/F |
| 2 | COVER | LCP,94V-0 | BLACK |
| 1 | HOUSING | LCP,94V-0 | NATURE |
| NO. | PART NAME | MATERIAL | REMARK |



SCALE: 1:1 UNIT: mm
 SIZE: A4

Title: FPC 1.00mm Pitch 90° H2.0mm SMT Type Connector

Unless otherwise General Tolerance:
 X ±0.40
 X.x ±0.30
 X.xx ±0.20
 X* ±5°
 X.x° ±3°

Molde Code: GT-F1010SR20-XXXXX01

| | | | |
|-------|---------|----------|------------|
| DRAWN | CHECKED | APPROVED | DATE |
| Jiang | Hu | Chen | 2021.06.28 |



REV: A0 SHEET: 1/1