

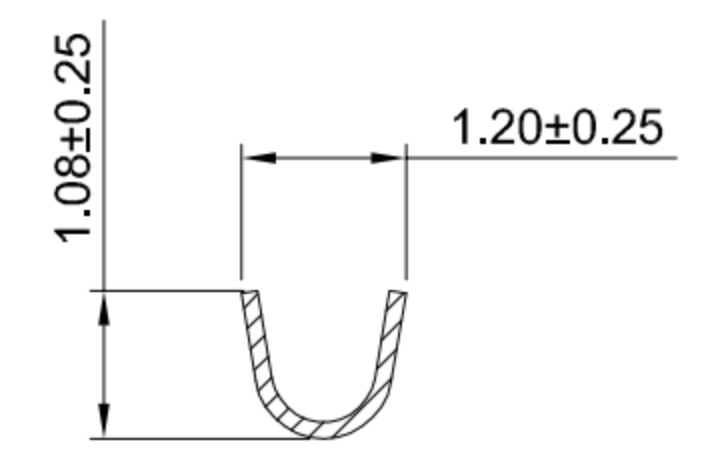
GT-A1201 T F -X XX 1

G-Switch
Series No
Connector T-Terminal

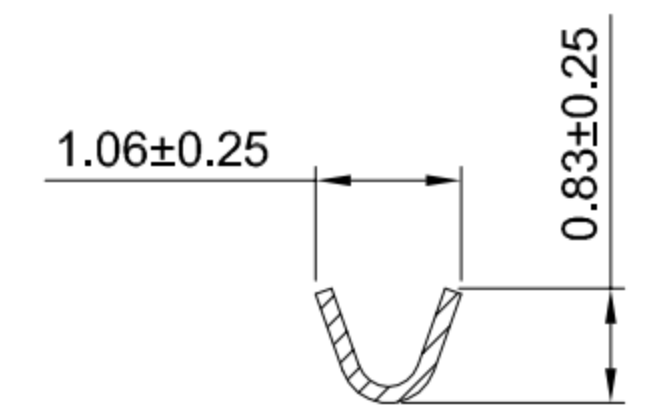
Terminal Plating
 BT-Bright Tin
 11-All G/F

Metal
 P-Phosphor bronze

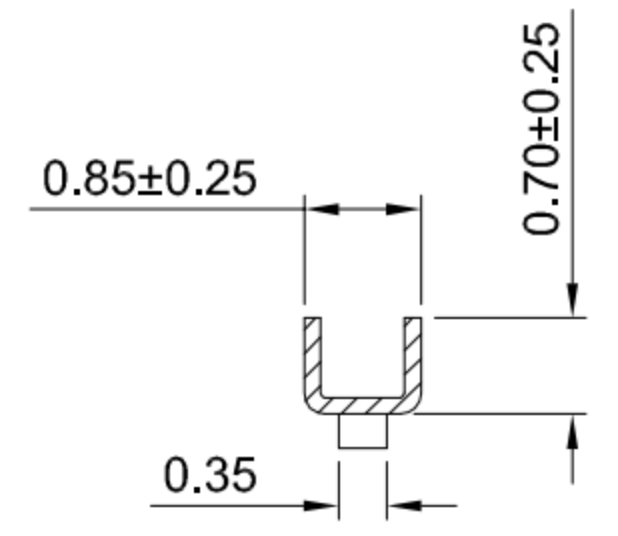
F-Female



SECION:A-A



SECION:B-B



SECION:C-C

G-Switch Specification:

- 1.Current rated: 1.5A AC/DC
- 2.Voltage rating: 50V AC/DC
- 3.Withstanding voltage: 500V AC
- 4.Contact resistance: 20mΩ max.
- 5.Insulation resistance: 100MΩ min
- 6.Durability cycle: 10Cycles
- 7.Removal force: 0.05kgf/Pin min
- 8.Operating temperature range: -25°C ~ +85°C

GT-A1201TF-P111	Phosphor Bronze	All G/F	AWG#28~30	0.70mm(Max)	20000
Part NO	Material	Plating	Wire Size	Insulation O.D	Reel/PCS



SCALE: 1:1	UNIT: mm
SIZE: A4	
Unless otherwise General Tolerance:	
X	±0.40
X.x	±0.30
X.xx	±0.20
X*	±5°
X.x°	±3°

Title: Terminal 1.20mm Pitch Crimp Style			
Molde Code: GT-A1201TF-XXX1			
DRAWN	CHECKED	APPROVED	DATE
Hu	Chen	Chen	2022.12.28



REV: A0 SHEET: 1/1