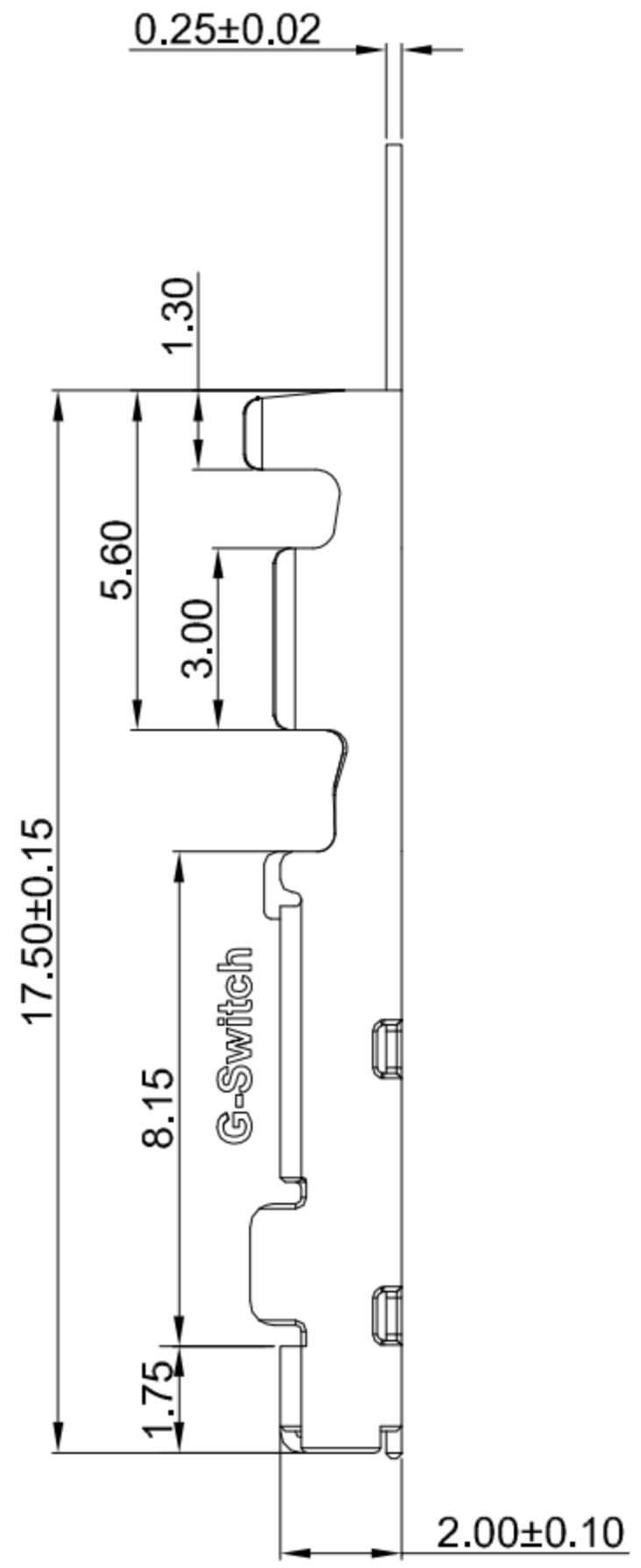
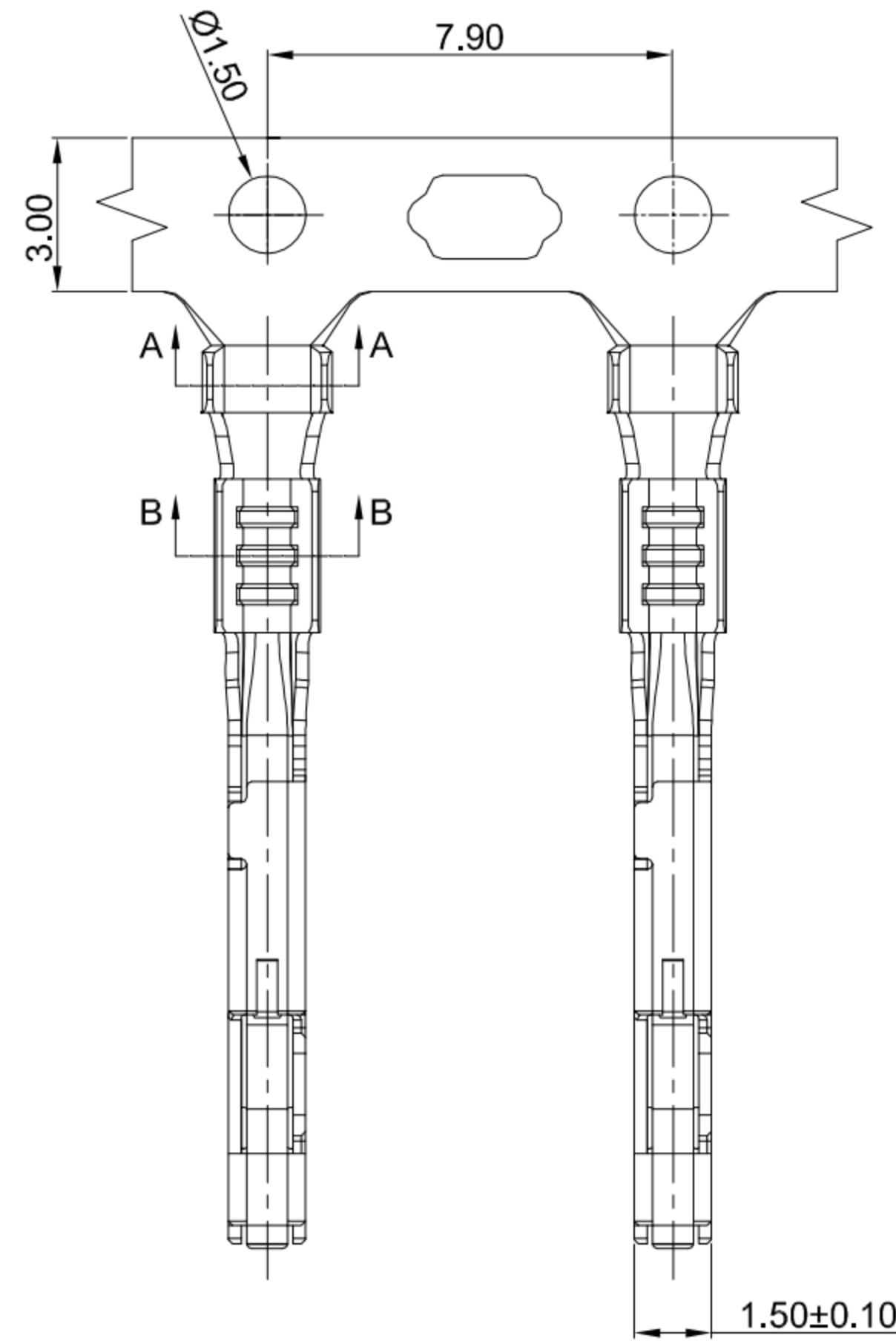


A B C D E

1



GT-A2201 T F -X XX 1

G-Switch
Series No
Connector
 T-Terminal
F-Female

Type code
 1-AWG#22~#24
 2-AWG#18~#20
 3-AVSS 0.85mm²

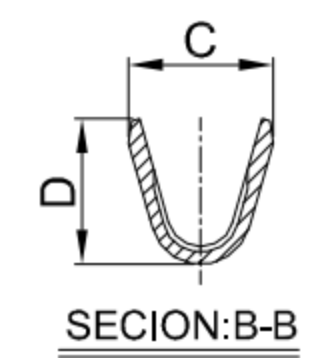
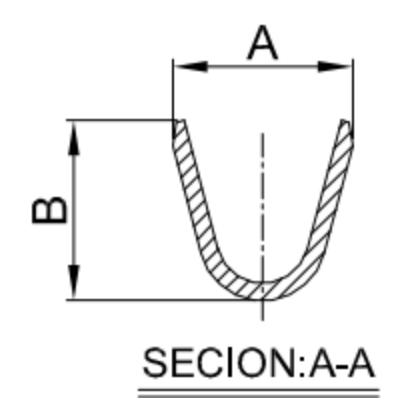
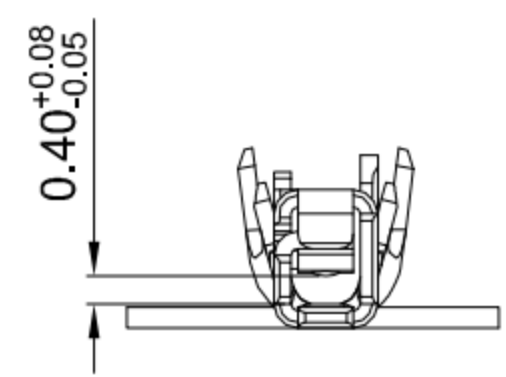
Terminal Plating
 BT-Bright Tin

Metal
 H-High Conductivity Copper

2

3

4



G-Switch Specification:

- 1.Current rated: 3.0A AC/DC
- 2.Voltage rating: 100V AC/DC
- 3.Withstanding voltage: 1000V AC
- 4.Contact resistance: 20mΩ max.
- 5.Insulation resistance: 100MΩ min
- 6.Durability cycle: 10Cycles
- 7.Removal force: 1.50kgf/Pin min
- 8.Operating temperature range: -40°C ~ +125°C

GT-A2201TF-HBT3	High Conductivity Copper	AVSS 0.85mm ²	1.80mm(Max)	2.70	2.90	2.55	3.00
GT-A2201TF-HBT2		AWG#18~20 (0.50~0.75mm ²)	1.60~1.80mm	2.70	2.70	2.50	2.45
GT-A2201TF-HBT1		AWG#22~24 (0.22~0.35mm ²)	1.20~1.30mm	2.60	2.60	2.10	2.10
Part NO	Material	Wire Size	Insulation O.D	A	B	C	D



SCALE: 1:1	UNIT: mm
SIZE: A4	
Unless otherwise General Tolerance:	
X	±0.40
X.x	±0.30
X.xx	±0.20
X*	±5°
X.x°	±3°

Title: Terminal 2.20mm Pitch Crimp Style			
Molde Code: GT-A2201TF-XXX1			
DRAWN	CHECKED	APPROVED	DATE
Hu	Chen	Chen	2022.12.28



REV: A0 SHEET: 1/1

C D E

1

3

4

5