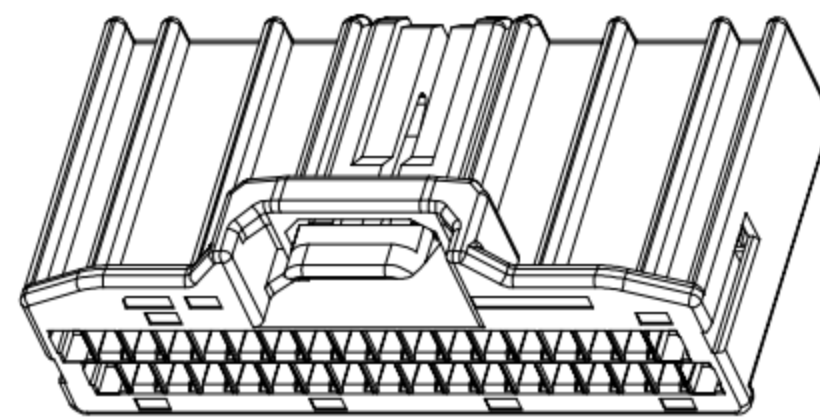
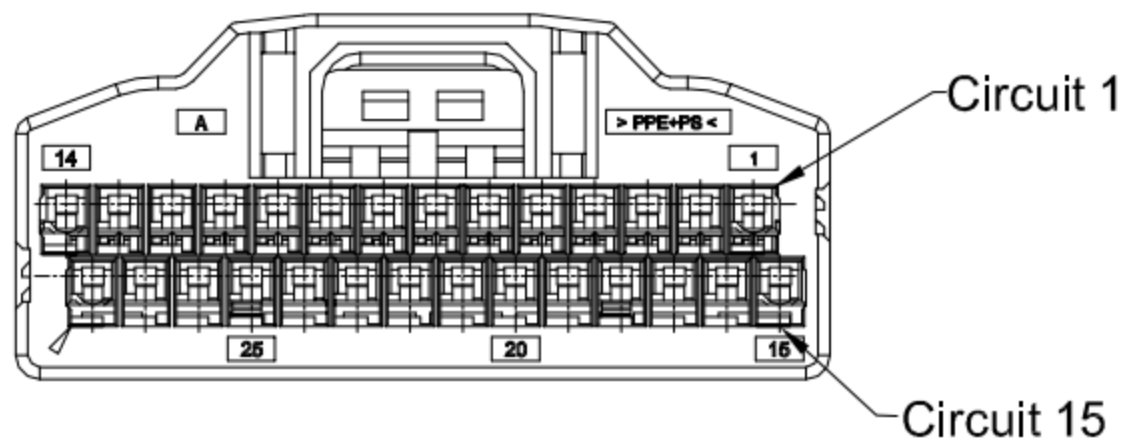


A B C D E



GT-A2201 H M-2 XX X 01

G-Switch

Series No

Connector
H-Housing

M-Male

Housing Colour
G-Grey
B-Black

Pin Q' PY
04~40

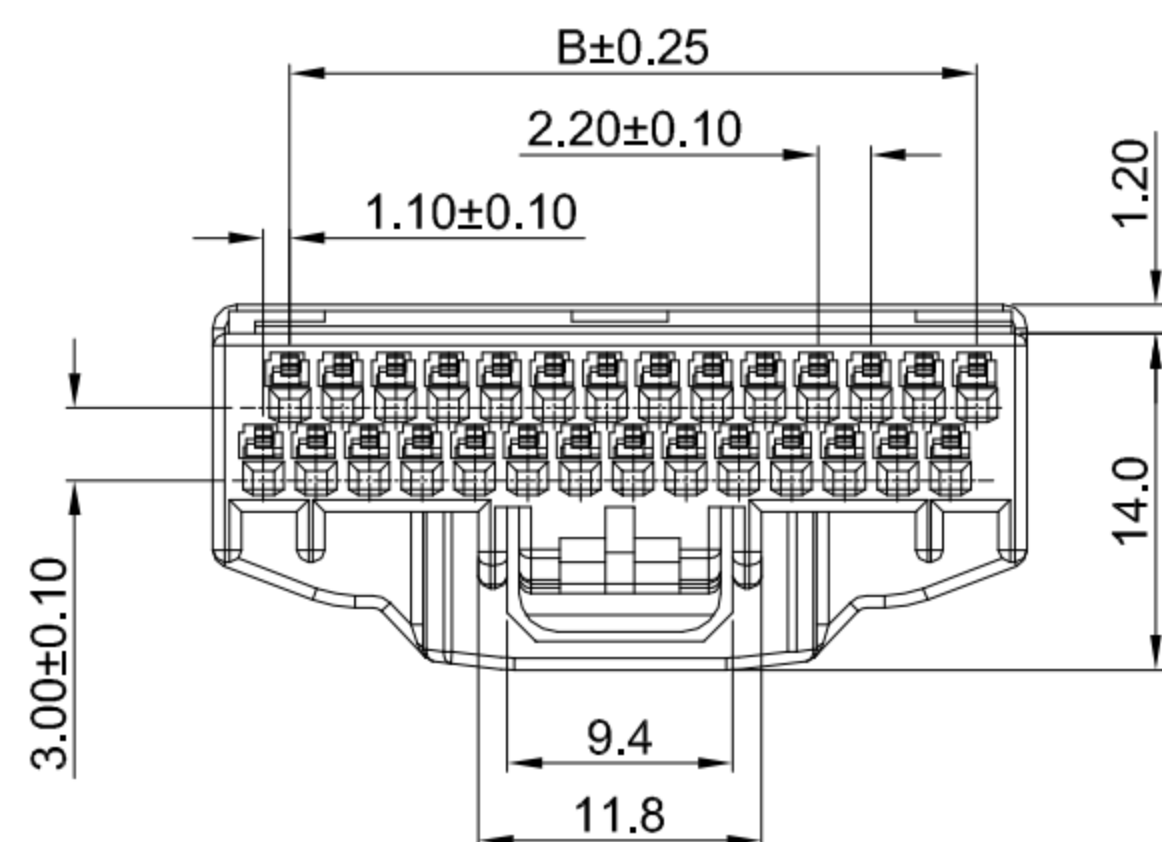
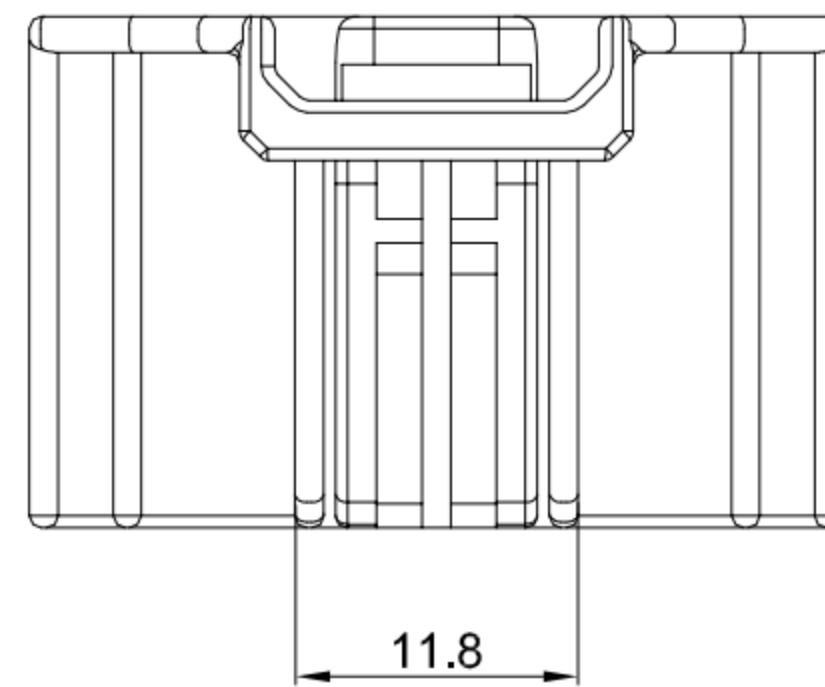
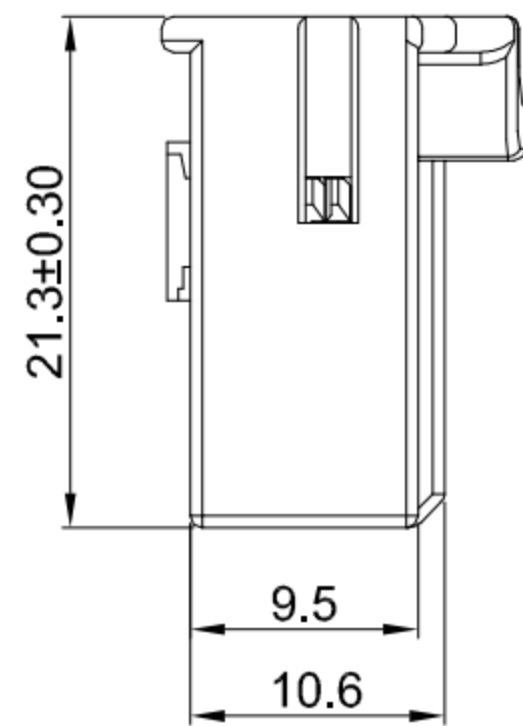
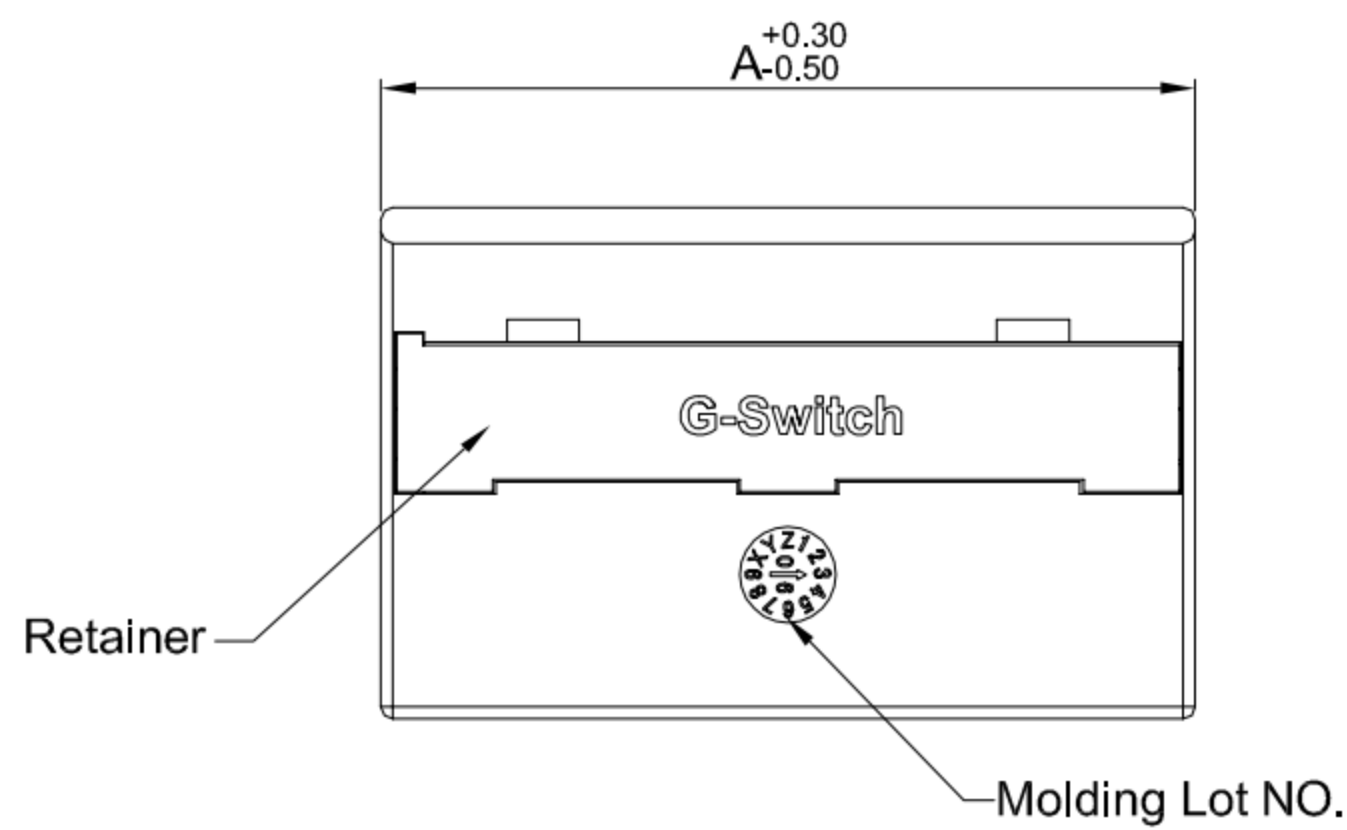
Row NO
2-Dual Rows

G-Switch Specification:

1. Current rated: 3.0A AC/DC
2. Voltage rating: 100V AC/DC
3. Withstanding voltage: 1000V AC
4. Contact resistance: 20mΩ max.
5. Insulation resistance: 100MΩ min
6. Durability cycle: 10Cycles
7. Removal force: 1.50kgf/Pin min
8. Operating temperature range: -40°C ~ +125°C

Ordering Information:

Circuit	Dimensions(mm)		Circuit	Dimensions(mm)	
	A	B		A	B
04	10.70	--	20	25.10	19.80
06	10.70	4.40	24	29.50	24.20
08	12.90	6.60	28	33.90	28.60
10	14.10	8.80	32	38.30	33.00
12	16.30	11.00	36	42.70	37.40
16	20.70	15.40	40	47.10	41.80



SCALE: 1:1 UNIT: mm

SIZE: A4

Title: Housing 2.20mm Pitch Dual Rows Male

Unless otherwise
General Tolerance:

X ±0.40
X.x ±0.30
X.xx ±0.20
X* ±5°
X.x° ±3°

Molde Code: GT-A2201HM-2XXX01

DRAWN	CHECKED	APPROVED	DATE
Hu	Chen	Chen	2022.12.28

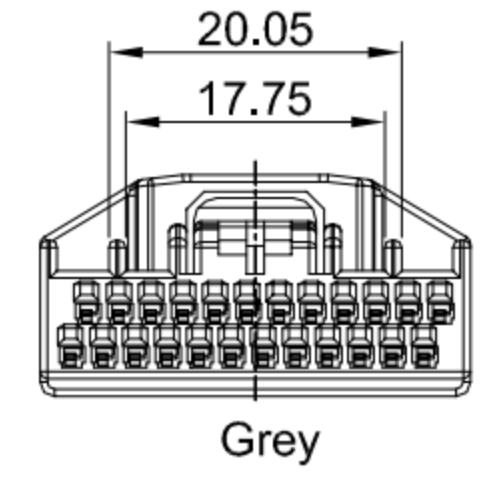
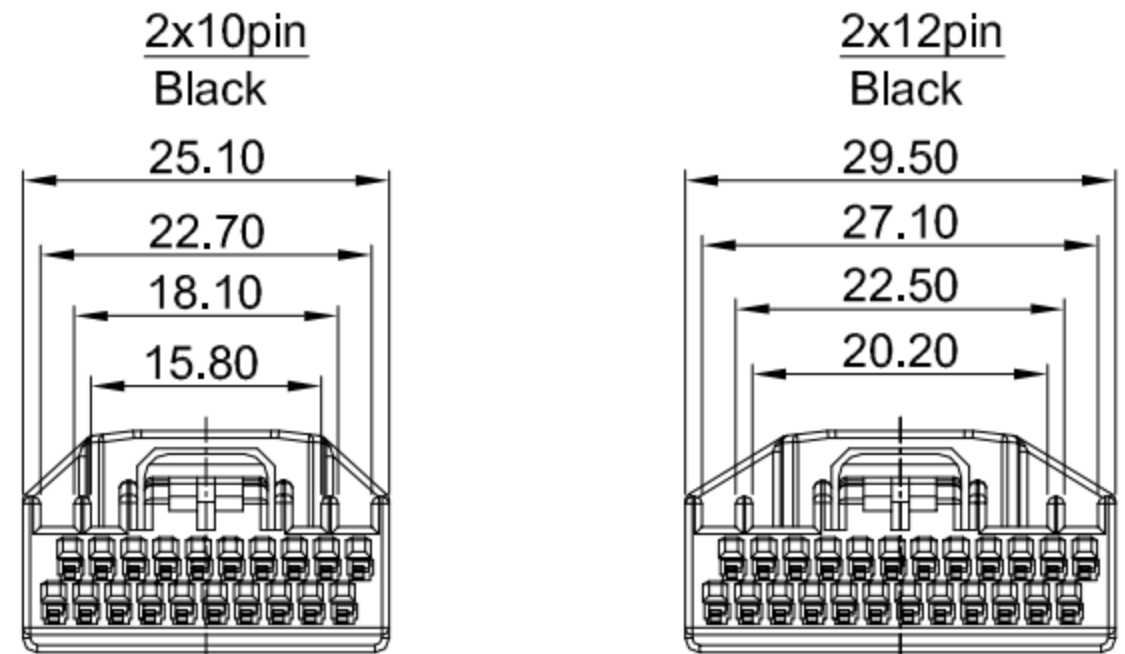
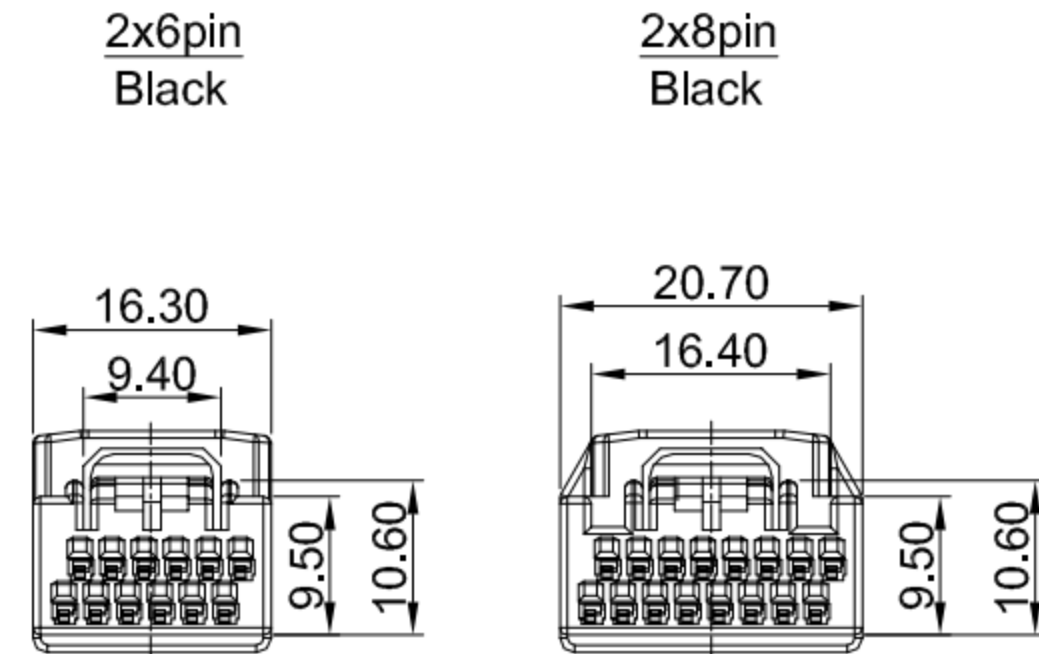
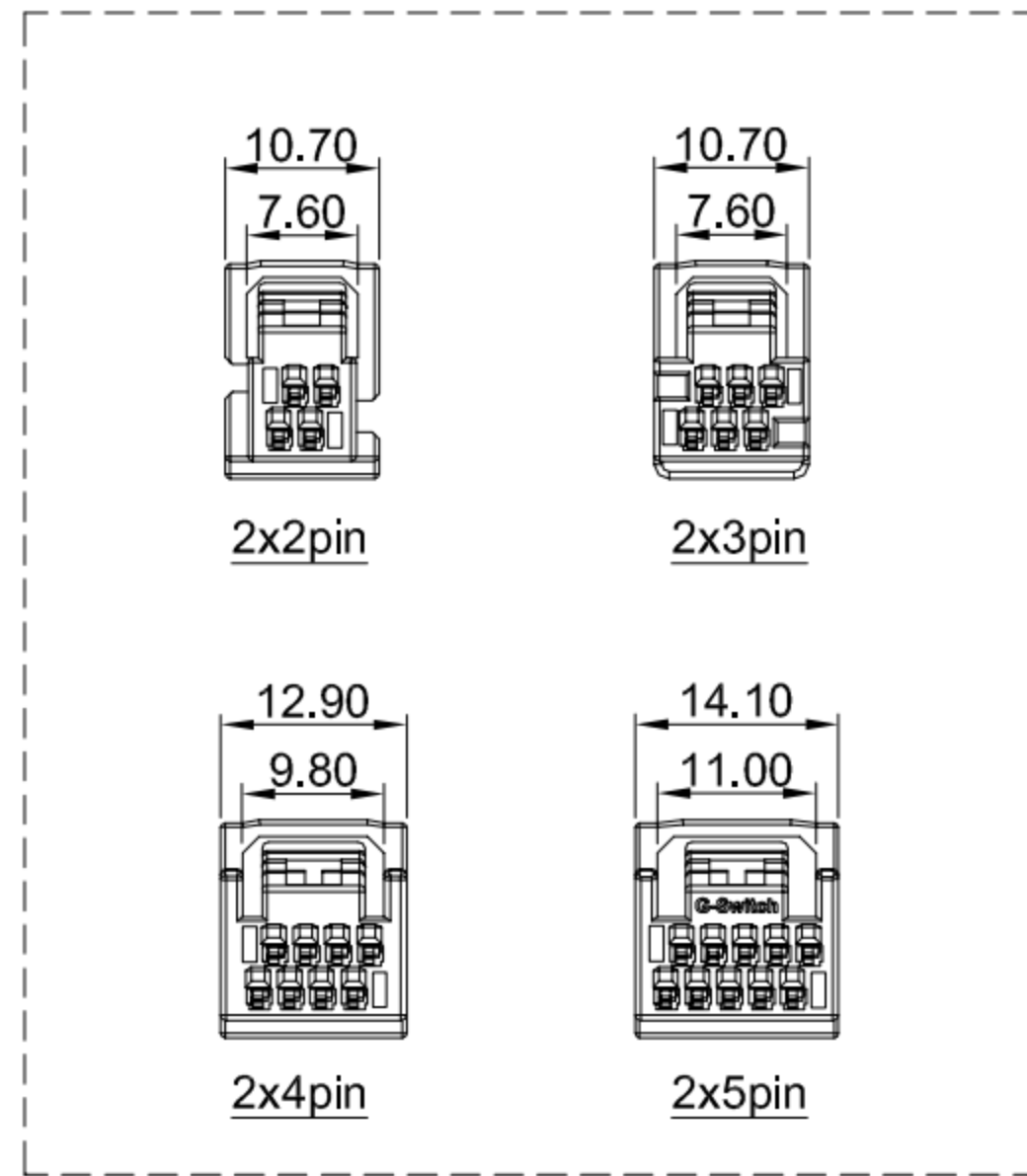


NO.	PART NAME	MATERIAL	REMARK
1	HOUSING	PPE+PS,94V-0	GREY OR BLACK

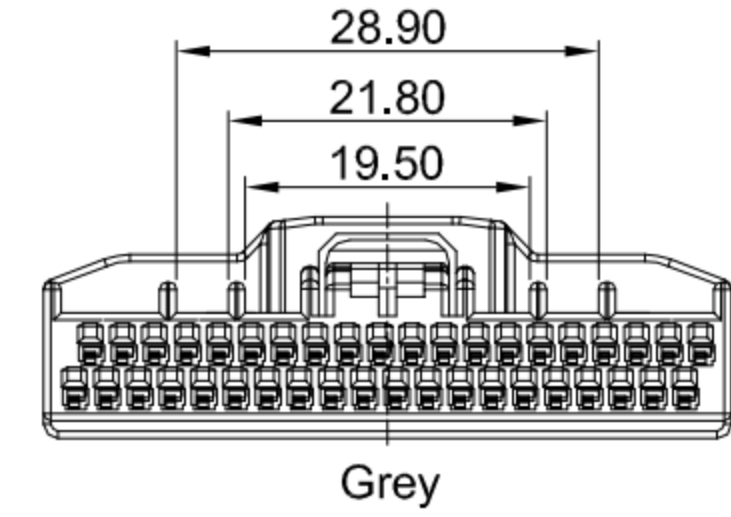
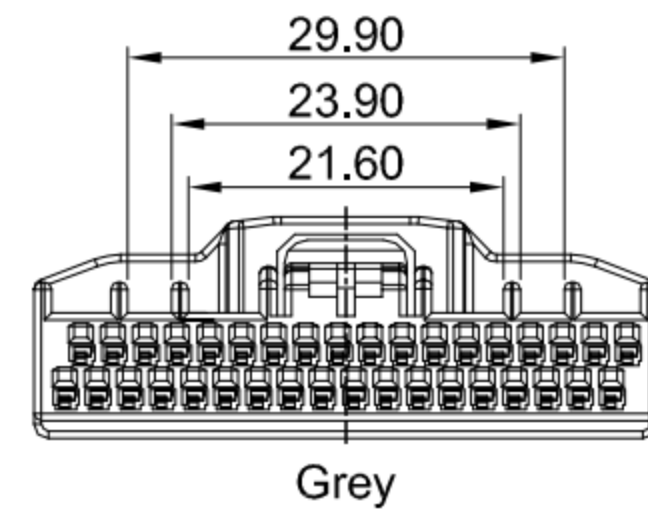
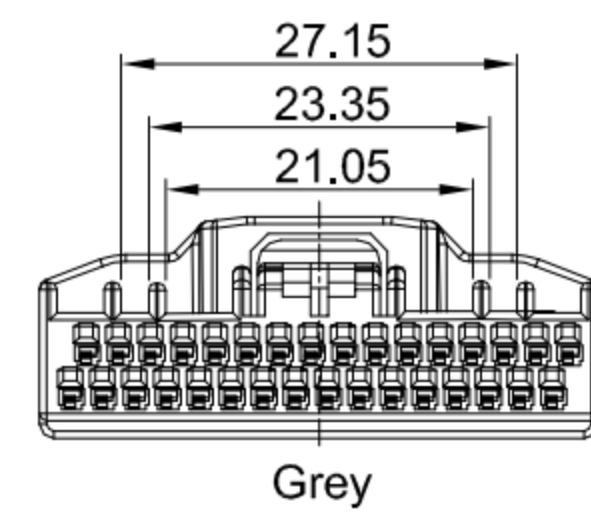
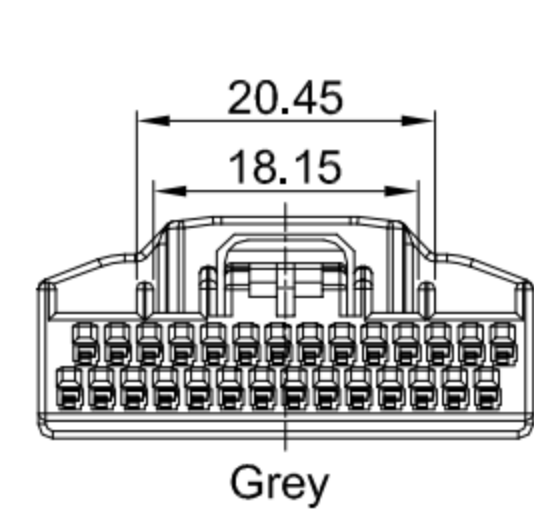
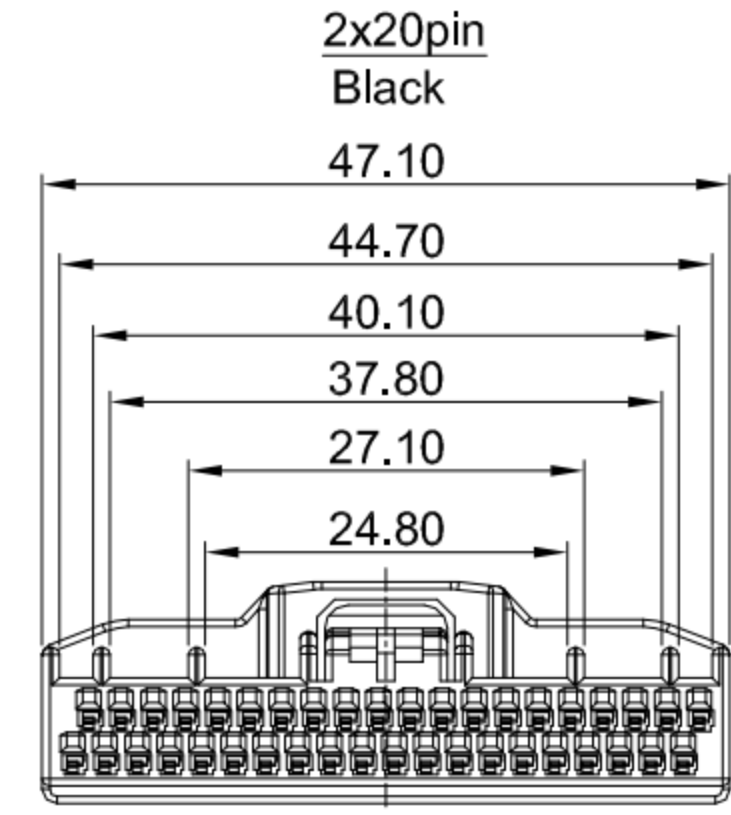
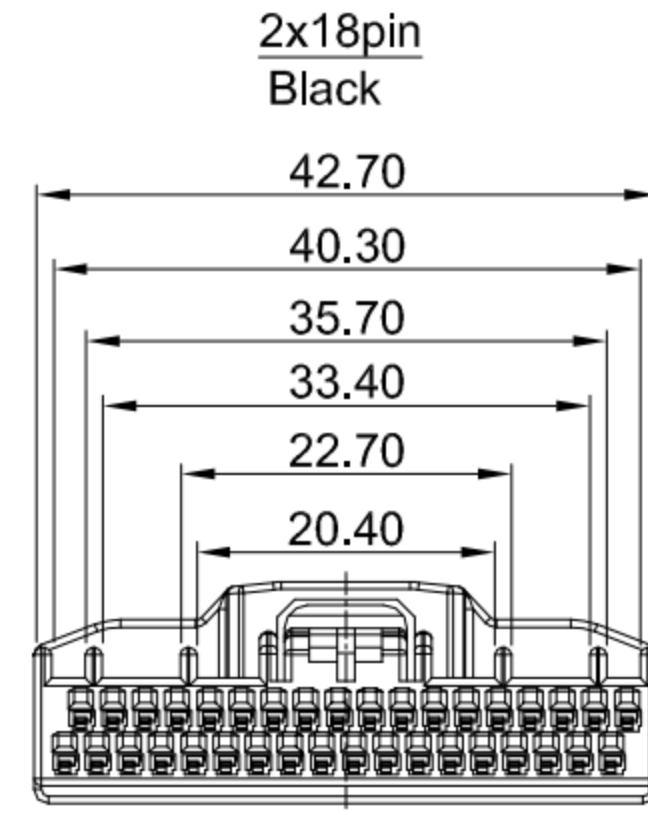
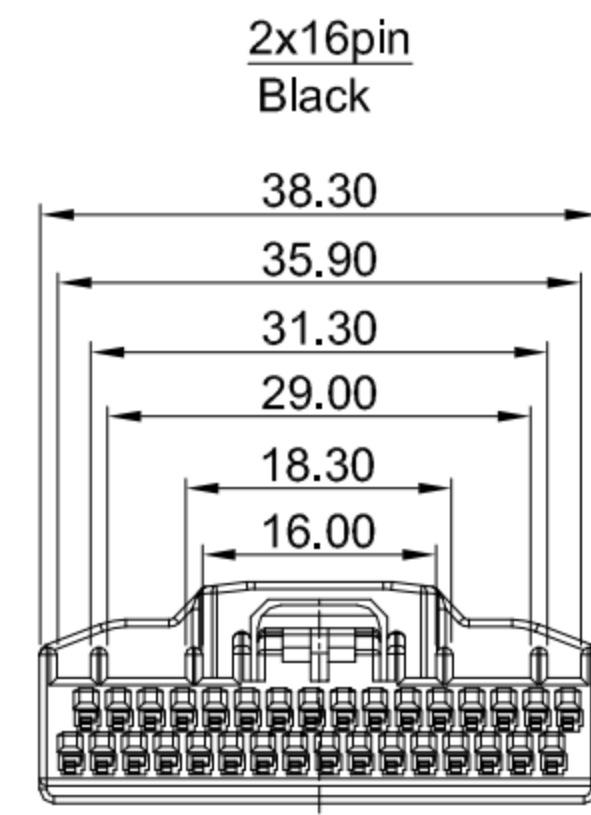
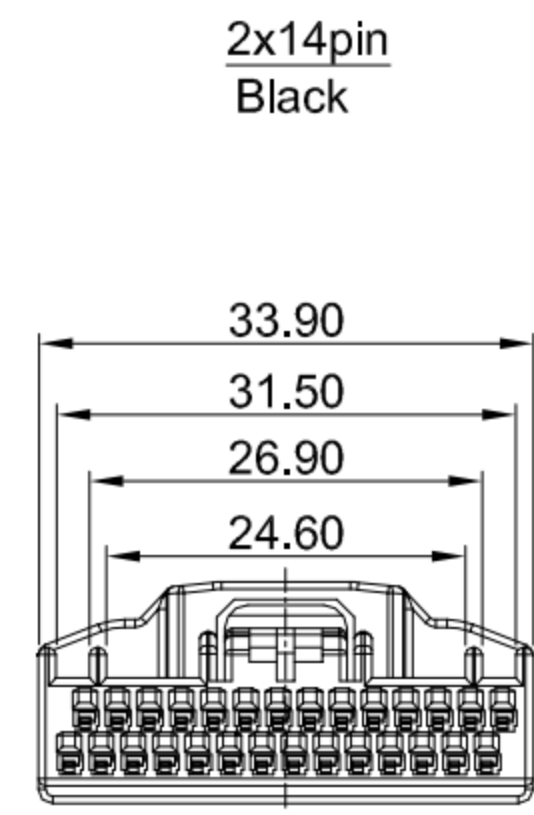


REV: A0 SHEET: 1/2

A B C D E



Note:
 1. One type from 2*2-2*5pin;
 2. Different type from 2*6-2*20pin.



5

1	HOUSING	PPE+PS,94V-0	GREY OR BLACK
NO.	PART NAME	MATERIAL	REMARK



SCALE: 1:1	UNIT: mm
SIZE: A4	
Unless otherwise General Tolerance:	
X	±0.40
X.x	±0.30
X.xx	±0.20
X*	±5°
X.x°	±3°

Title: Housing 2.20mm Pitch Dual Rows Male			
Molde Code: GT-A2201HM-2XXX01			
DRAWN	CHECKED	APPROVED	DATE
Hu	Chen	Chen	2022.12.28



REV: A0 SHEET: 2/2

A

B

C

D

E

5