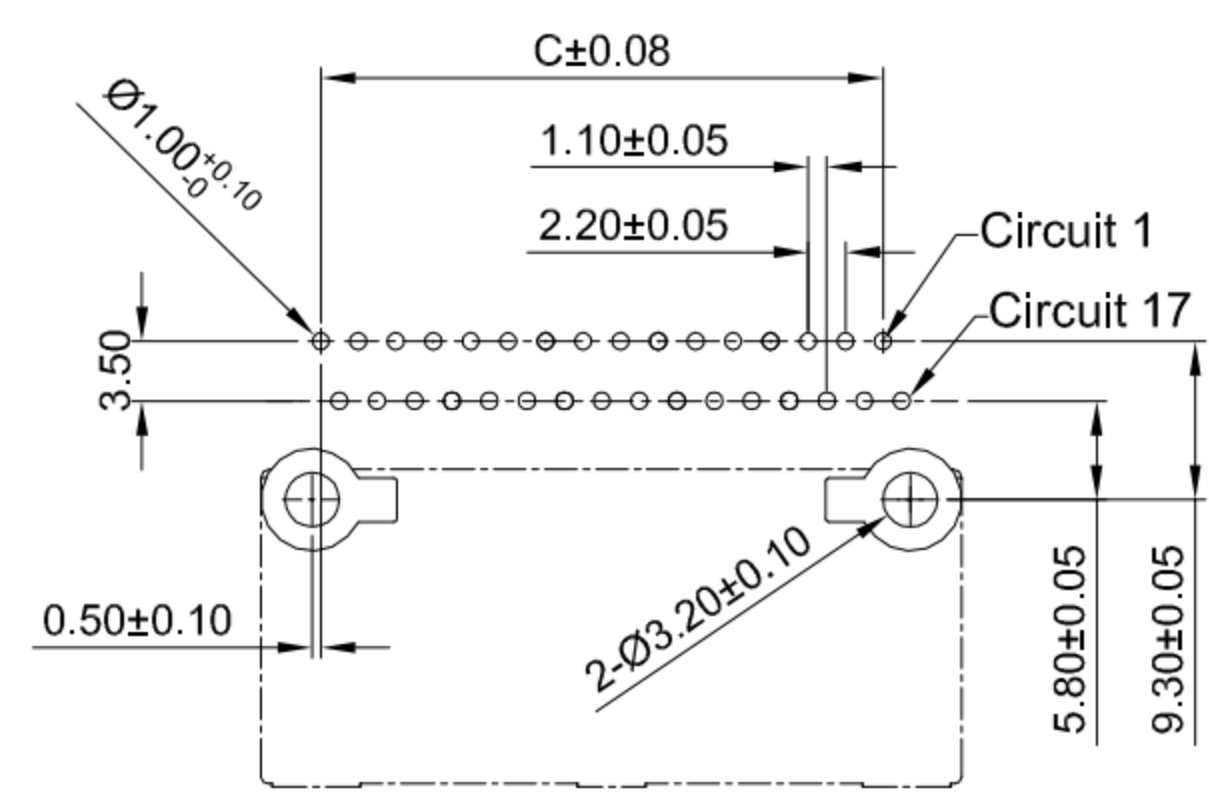
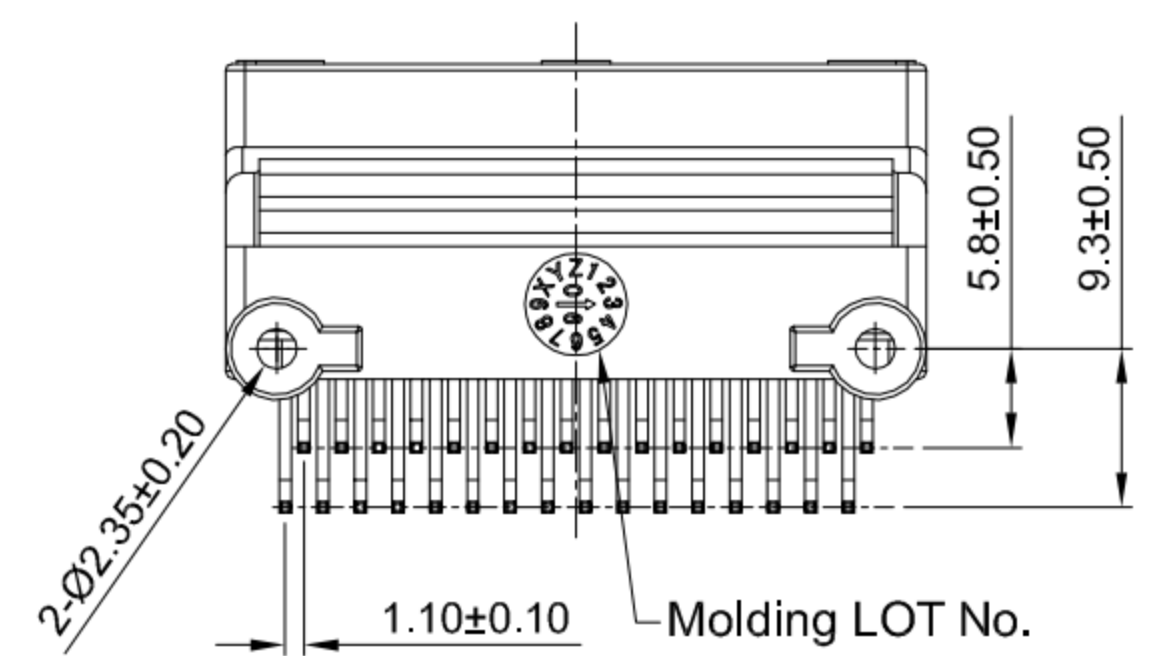
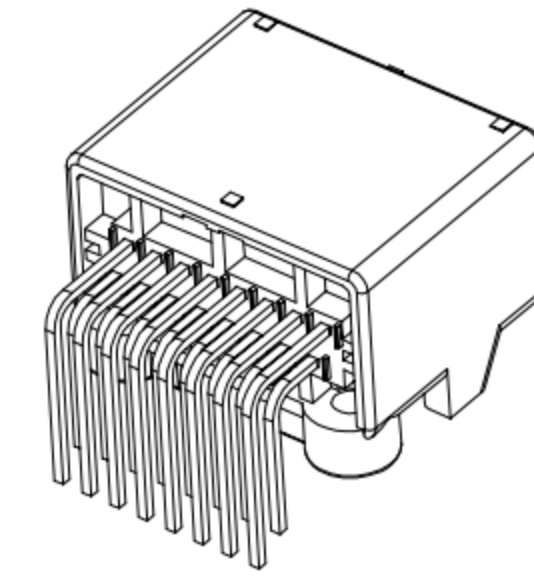
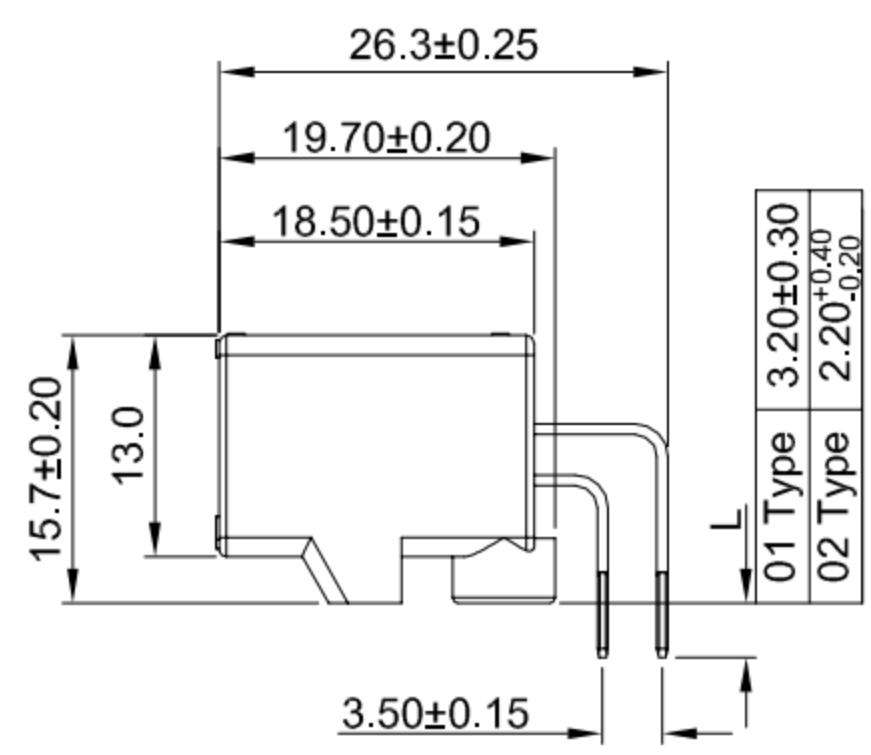
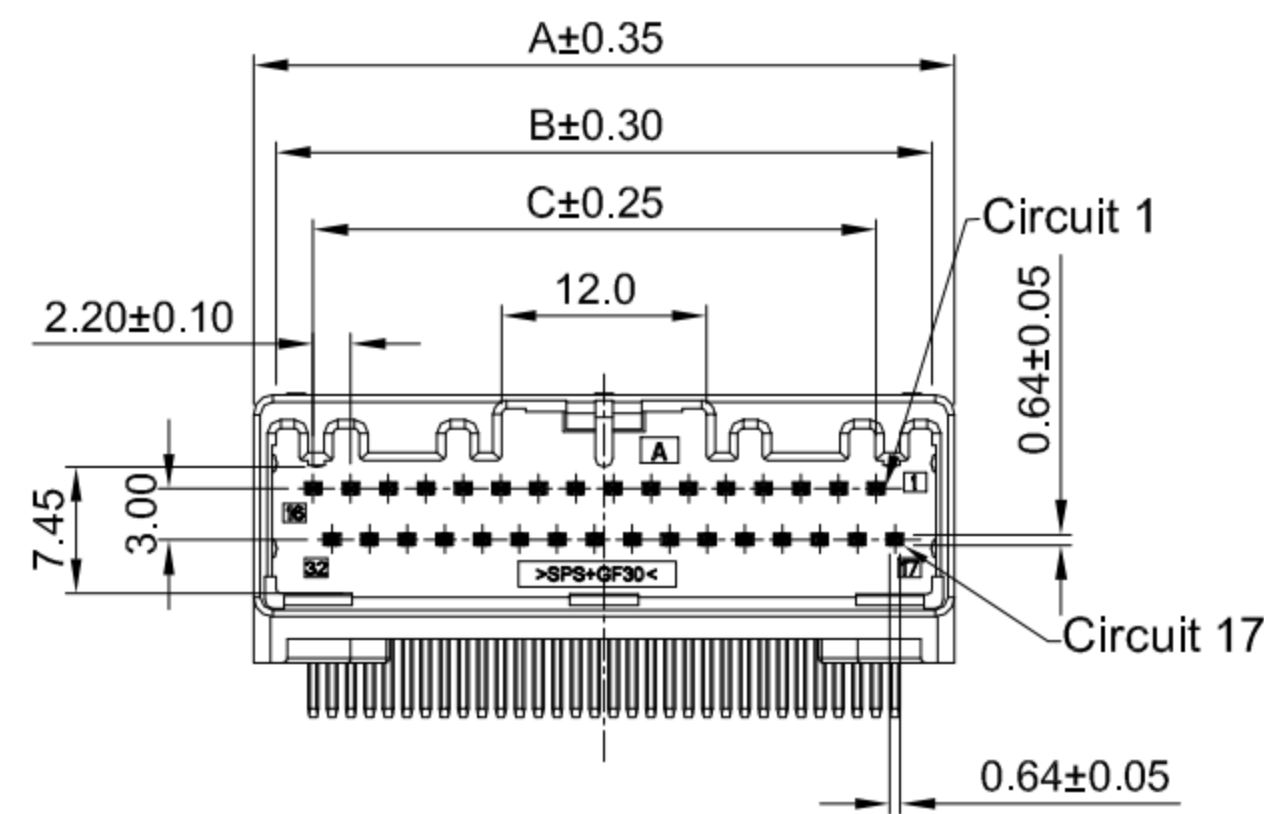


- G-Switch Specification:**
1. Current rated: 3.0A AC/DC
  2. Voltage rating: 100V AC/DC
  3. Withstanding voltage: 1000V AC
  4. Contact resistance: 20mΩ max.
  5. Insulation resistance: 100MΩ min
  6. Durability cycle: 10Cycles
  7. Removal force: 1.50kgf/Pin min
  8. Operating temperature range: -40°C ~ +125°C



GT-A2201 W R D-2 XX X XX 0X

- G-Switch**
- Series No**
- Connector**  
W-Wafer
- Angle**  
R-90°
- Termpoint**  
D-DIP
- Type**  
01-3.20mm  
02-2.20mm
- Terminal Plating**  
BT-Bright Tin
- Housing Colour**  
G-Grey  
B-Black
- Pin Q' PY**  
04-40
- Row NO**  
2-Dual Rows



RECOMMENDED PCB LAYOUT  
TOLERANCE:±0.05

**Ordering Information:**

Circuit	Dimensions(mm)			Circuit	Dimensions(mm)		
	A	B	C		A	B	C
04	10.30	8.10	---	20	27.90	25.30	19.80
06	13.10	11.10	4.40	24	32.30	29.70	24.20
08	15.70	13.10	6.60	28	36.70	34.10	28.60
10	16.90	14.30	8.80	32	41.10	38.50	33.00
12	19.10	16.50	11.00	36	45.50	43.00	37.40
16	23.50	20.90	15.40	40	49.90	47.40	41.80

NO.	PART NAME	MATERIAL	REMARK
2	CONTACT	BRASS	BRIGHT Tin
1	HOUSING	SPS,94V-0	GREY OR BLACK



SCALE: 1:1 UNIT: mm  
SIZE: A4

Title: Wafer 2.20mm Pitch 90° DIP Type  
Dual Rows Connector

Unless otherwise  
General Tolerance:  
X ±0.40  
X.x ±0.30  
X.xx ±0.20  
X\* ±5°  
X.x° ±3°

Molde Code: GT-A2201WRD-2XXXXX0X

DRAWN	CHECKED	APPROVED	DATE
Hu	Chen	Chen	2022.12.28



REV: A0 SHEET: 1/2

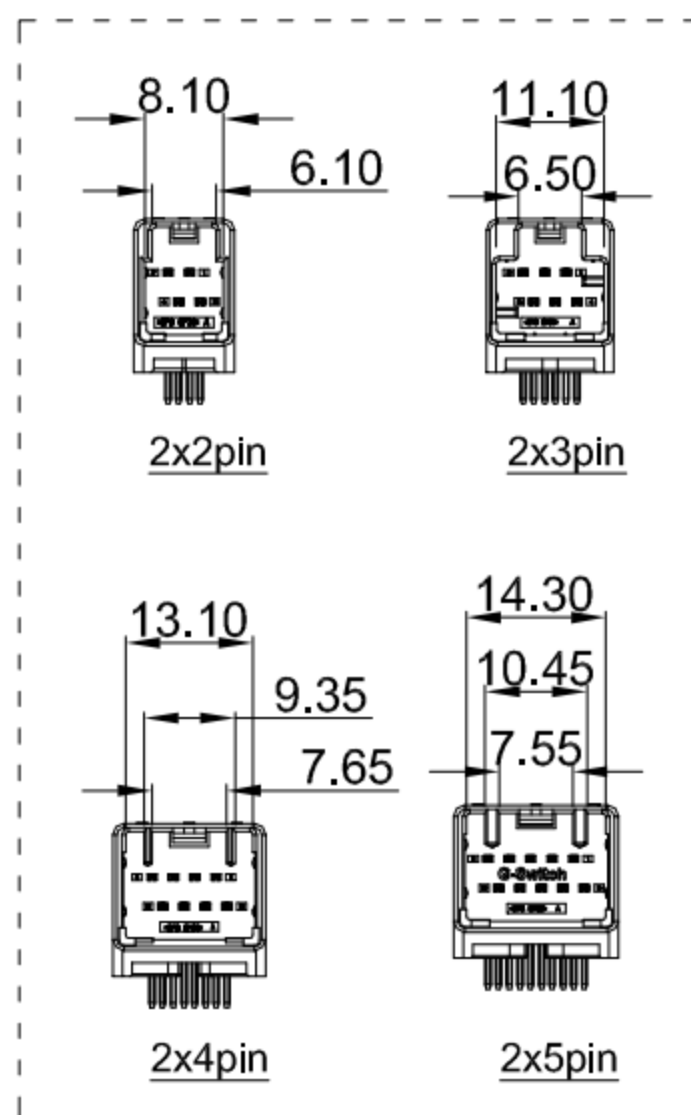
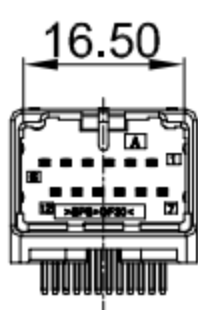
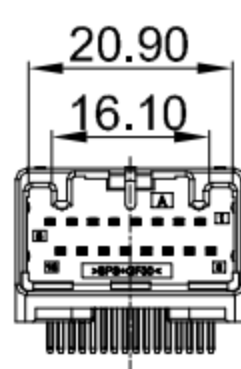
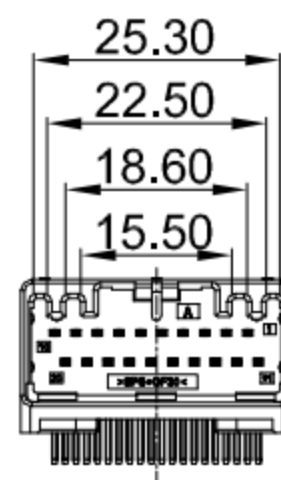
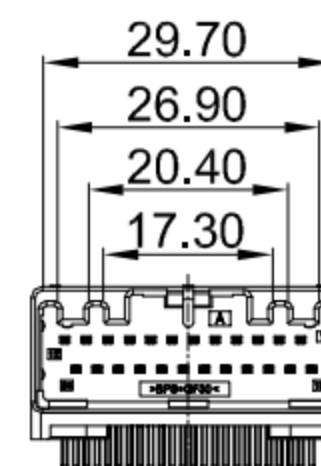
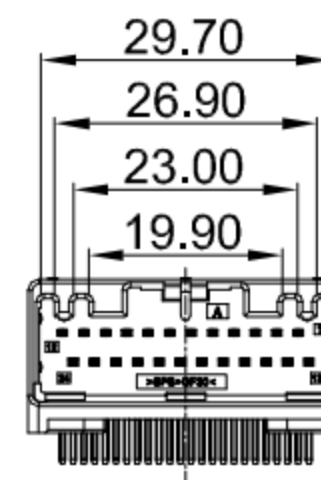
A

B

C

D

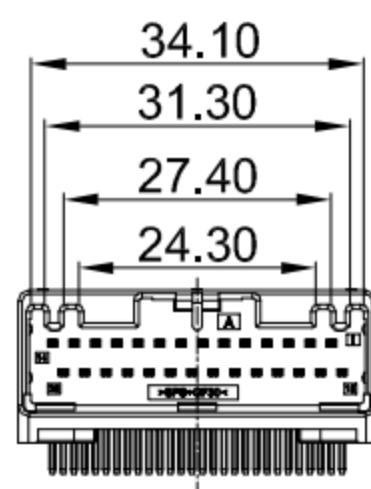
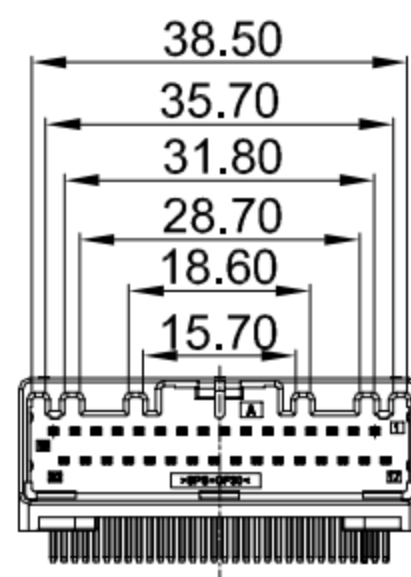
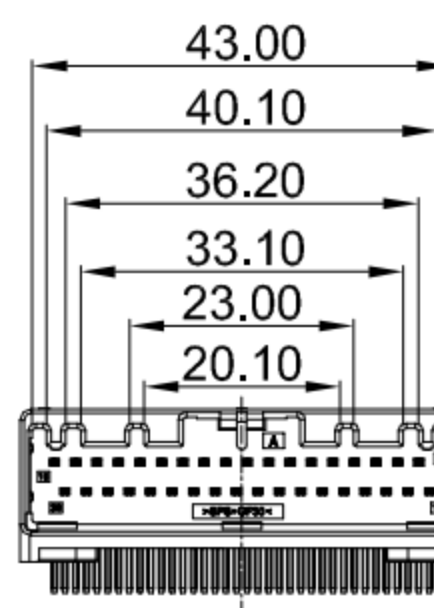
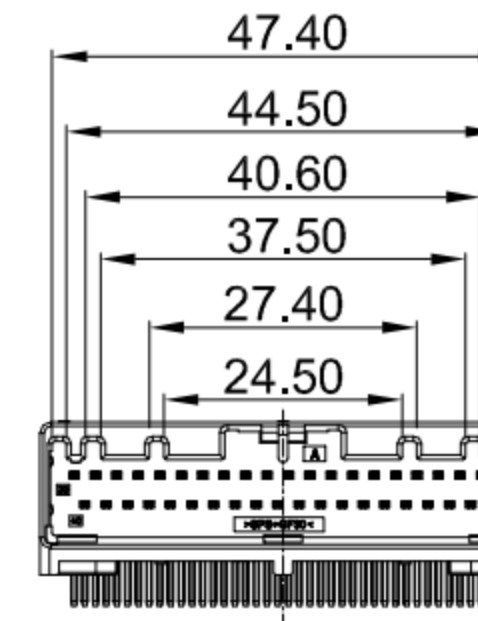
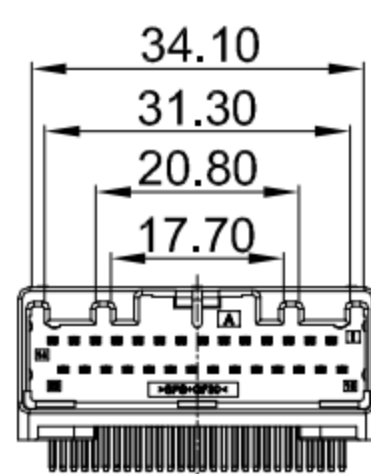
E

2x6pin  
Black2x8pin  
Black2x10pin  
Black2x12pin  
Black

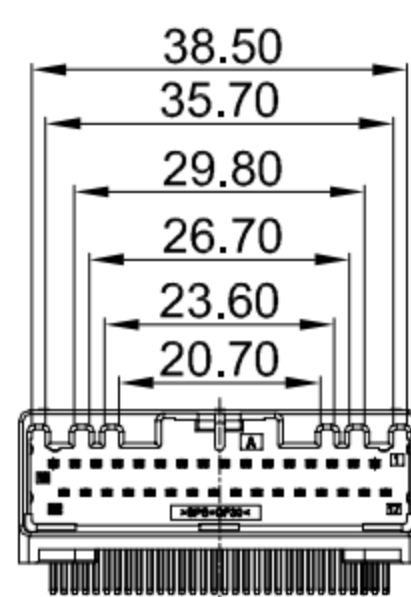
Grey



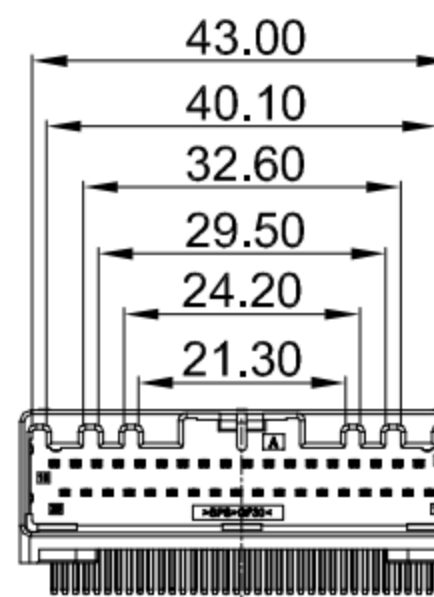
Note:  
1. One type from 2\*2-2\*5pin;  
2. Different type from 2\*6-2\*20pin.

2x14pin  
Black2x16pin  
Black2x18pin  
Black2x20pin  
Black2x14pin  
Grey

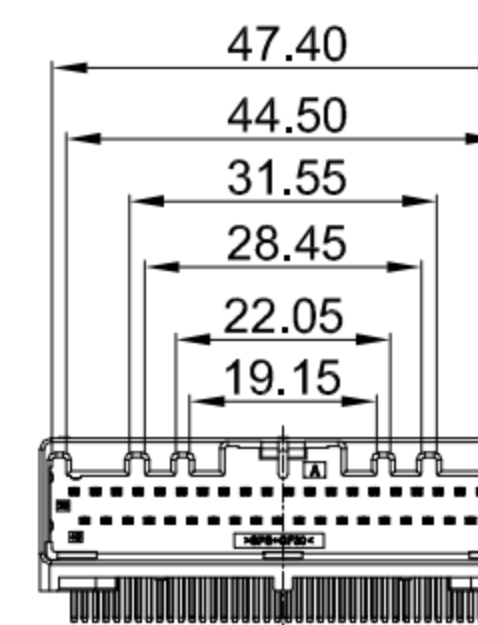
Grey

2x16pin  
Grey

Grey

2x18pin  
Grey

Grey

2x20pin  
Grey

Grey

SCALE: 1:1 UNIT: mm

SIZE: A4

Title: Wafer 2.20mm Pitch 90° DIP Type  
Dual Rows ConnectorUnless otherwise  
General Tolerance:

X	±0.40
X.x	±0.30
X.xx	±0.20
X*	±5°
X.x°	±3°

Molde Code: GT-A2201WRD-2XXXXX0X

DRAWN CHECKED APPROVED DATE

Hu Chen Chen 2022.12.28

品赞科技®  
**b-Switch**  
www.dg-switch.com

REV: A0 SHEET: 2/2

2	CONTACT	BRASS	BRIGHT Tin
1	HOUSING	SPS,94V-0	GREY OR BLACK
NO.	PART NAME	MATERIAL	REMARK



A

B

C

D

E