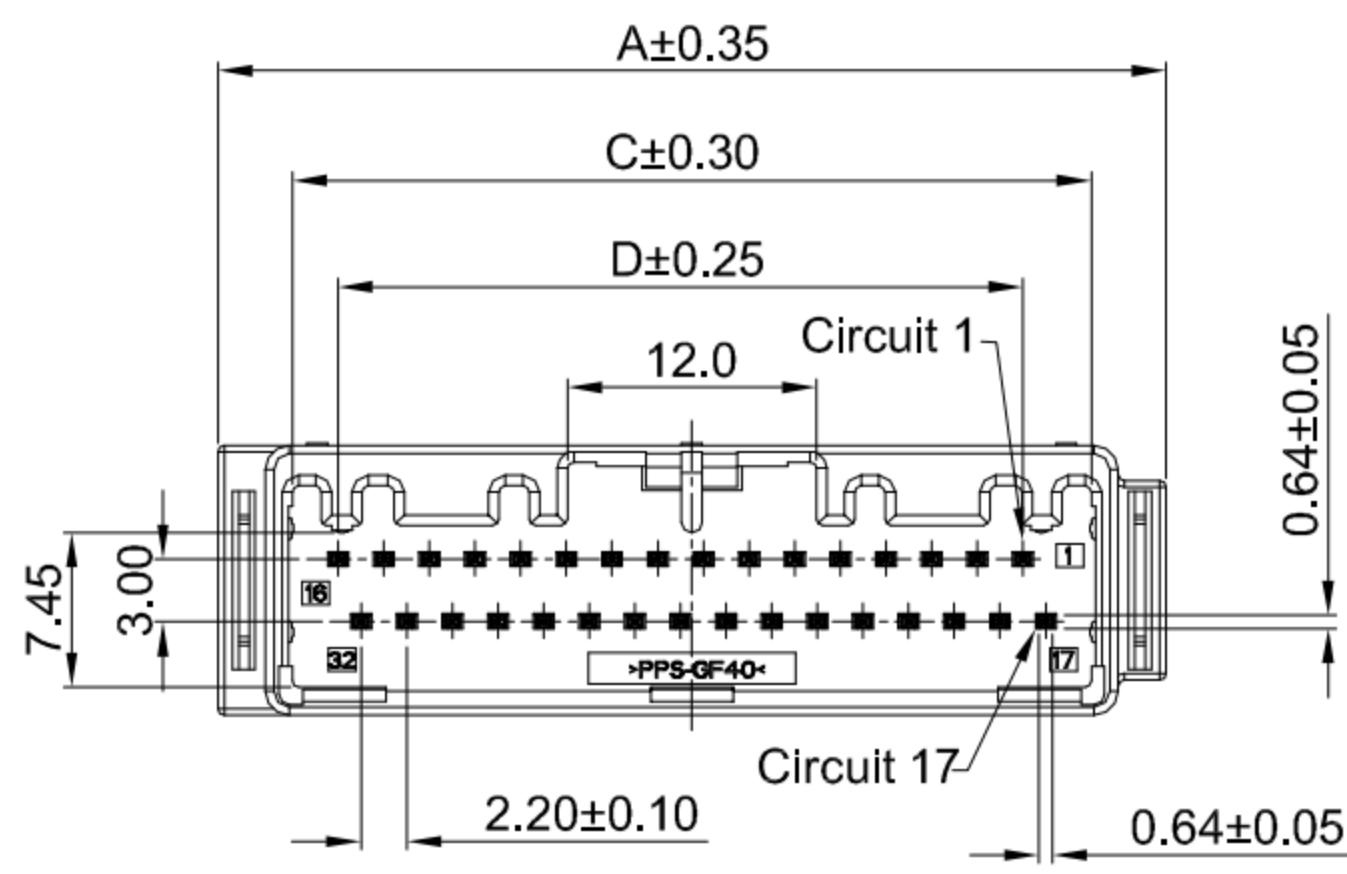


- G-Switch Specification:**
- 1.Current rated: 3.0A AC/DC
 - 2.Voltage rating: 100V AC/DC
 - 3.Withstanding voltage: 1000V AC
 - 4.Contact resistance: 20mΩ max.
 - 5.Insulation resistance: 100MΩ min
 - 6.Durability cycle: 10Cycles
 - 7.Removal force: 1.50kgf/Pin min
 - 8.Operating temperature range: -40°C ~ +125°C

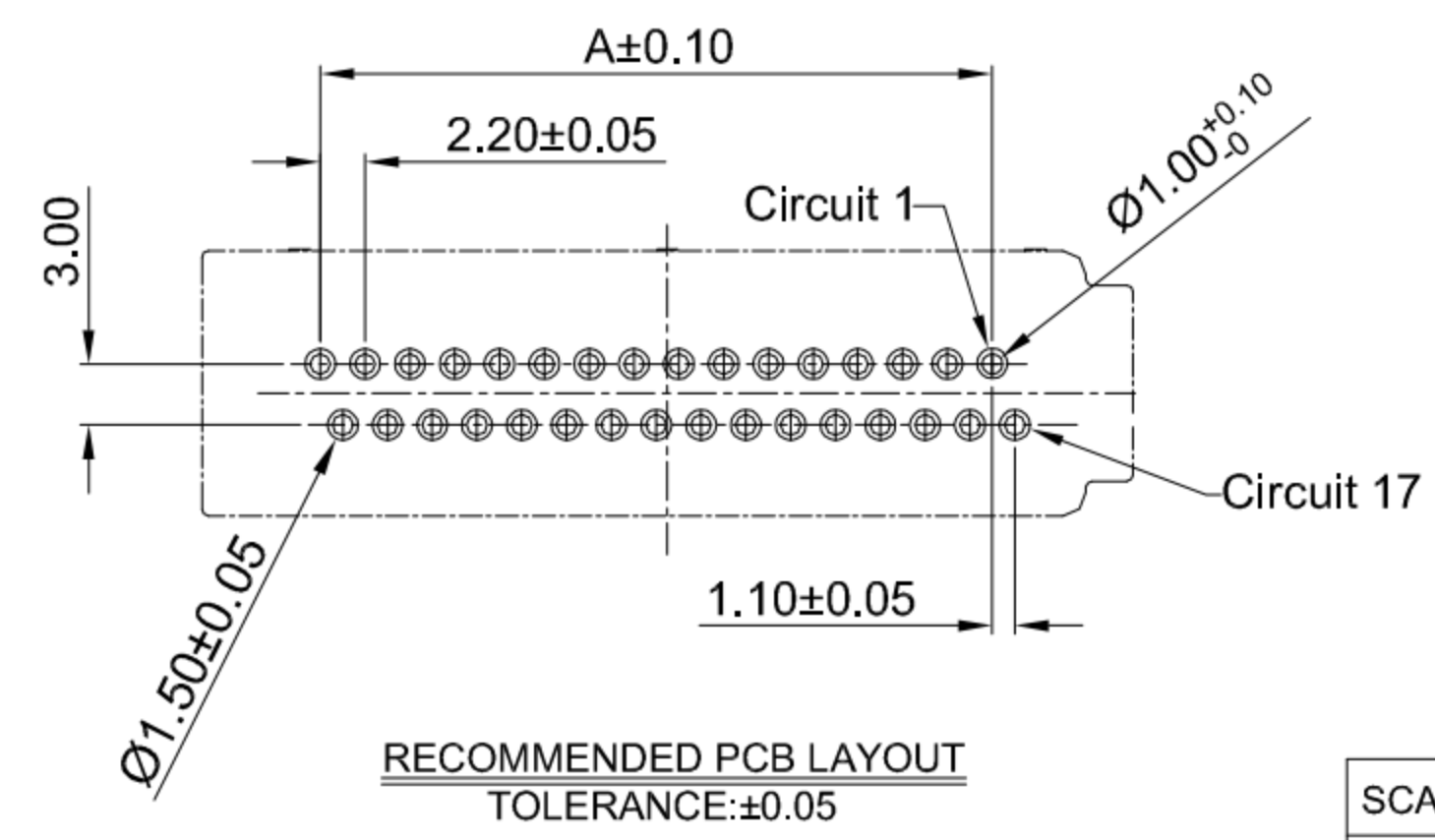
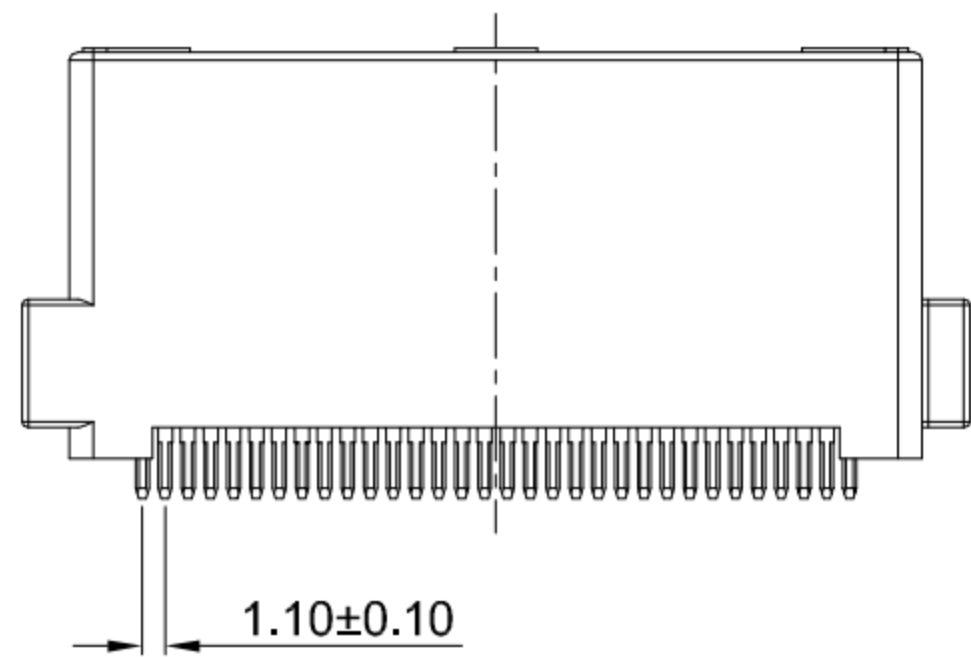
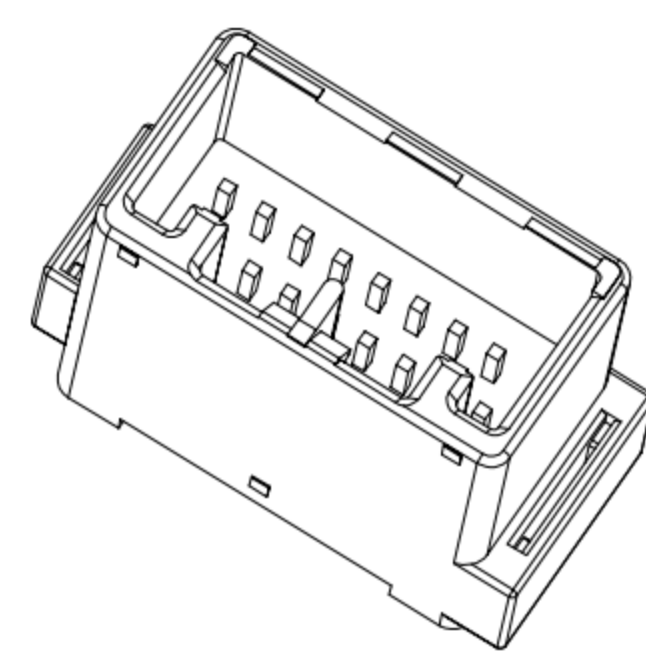
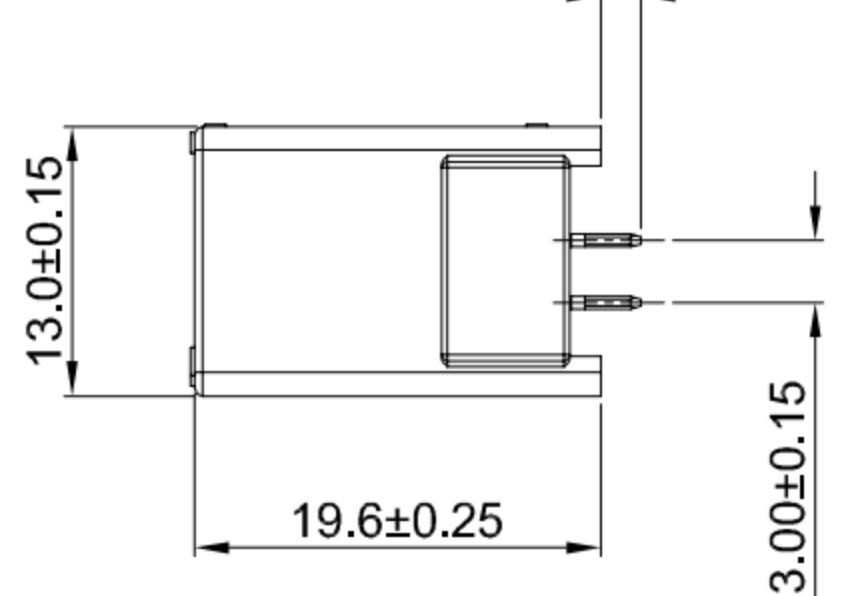


GT-A2201 W V D-2 XX X XX 0X

- G-Switch**
- Series No**
- Connector**
W-Wafer
- Angle**
V-180°
- Termpoint**
D-DIP
- Type**
01-1.90mm
02-2.60mm
- Terminal Plating**
BT-Bright Tin
- Housing Colour**
G-Grey
B-Black
- Pin Q' PY**
04~40
- Row NO**
2-Dual Rows



01 Type	1.90±0.30
02 Type	2.60 ^{+0.40} _{-0.20}



Ordering Information:

Circuit	Dimensions(mm)			
	A	B	C	D
04	14.90	10.30	8.10	---
06	17.70	13.10	11.10	4.40
08	20.30	15.70	13.10	6.60
10	21.50	16.90	14.30	8.80
12	23.70	19.10	16.50	11.00
16	28.10	23.50	20.90	15.40
20	32.50	27.90	25.30	19.80
24	36.90	32.30	29.70	24.20
28	41.30	36.70	34.10	28.60
32	45.70	41.10	38.50	33.00
36	50.10	45.50	43.00	37.40
40	54.50	49.90	47.40	41.80

2	CONTACT	BRASS	BRIGHT Tin
1	HOUSING	PPS,94V-0	GREY OR BLACK
NO.	PART NAME	MATERIAL	REMARK



SCALE: 1:1 UNIT: mm

SIZE: A4

Unless otherwise General Tolerance:

X	±0.40
X.x	±0.30
X.xx	±0.20
X*	±5°
X.x°	±3°

Title: Wafer 2.20mm Pitch 180° DIP Type Dual Rows Connector

Molde Code: GT-A2201WVD-2XXXXX0X

DRAWN	CHECKED	APPROVED	DATE
Hu	Chen	Chen	2022.12.28



REV: A0 SHEET: 1/2

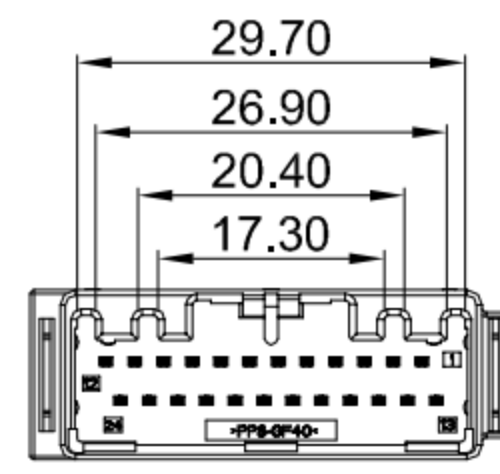
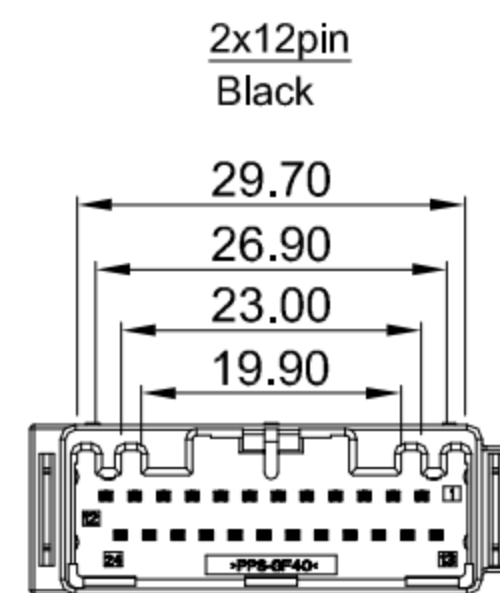
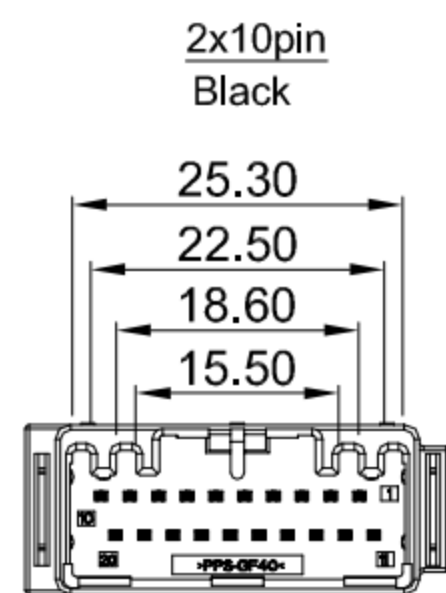
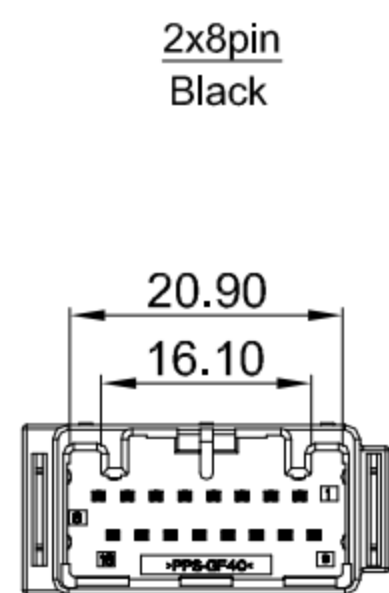
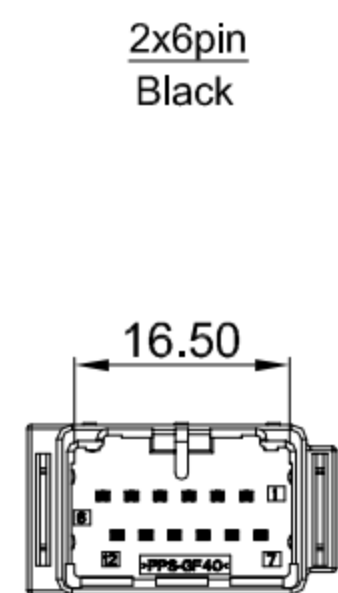
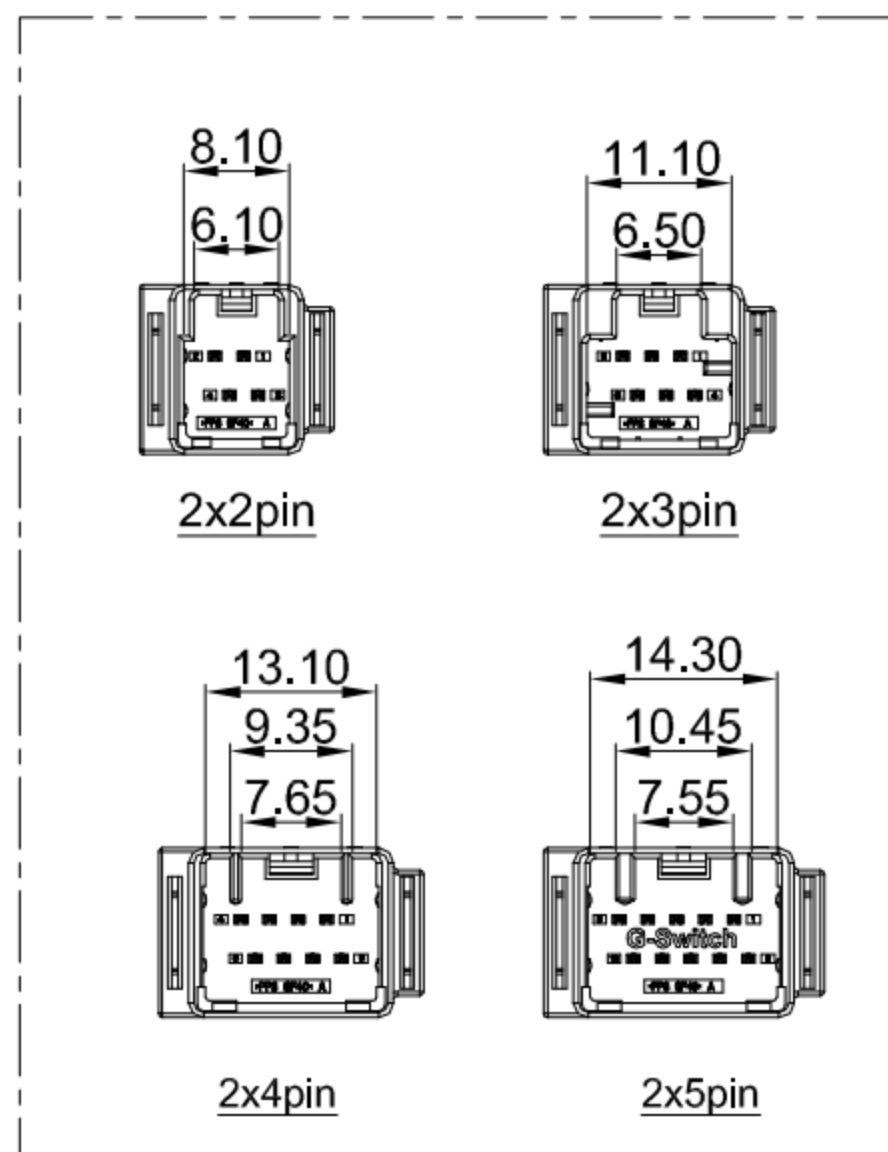
A

B

C

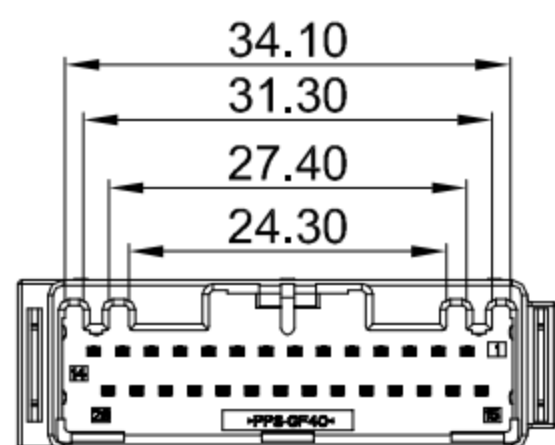
D

E

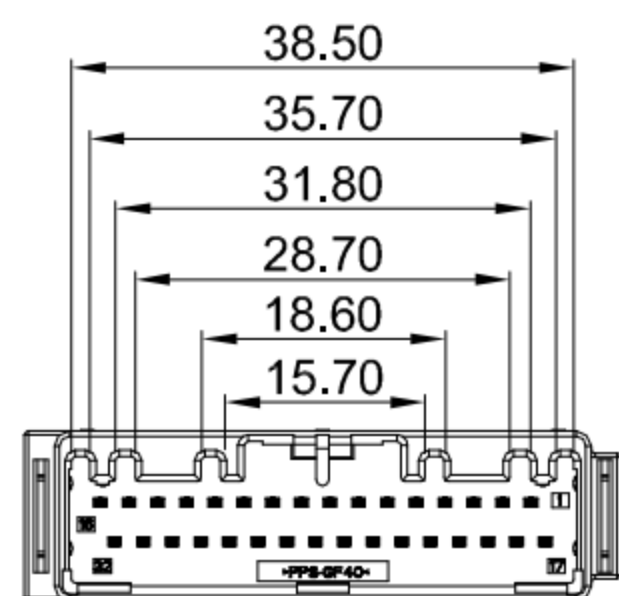


Note:
 1. One type from 2*2-2*5pin;
 2. Different type from 2*6-2*20pin.

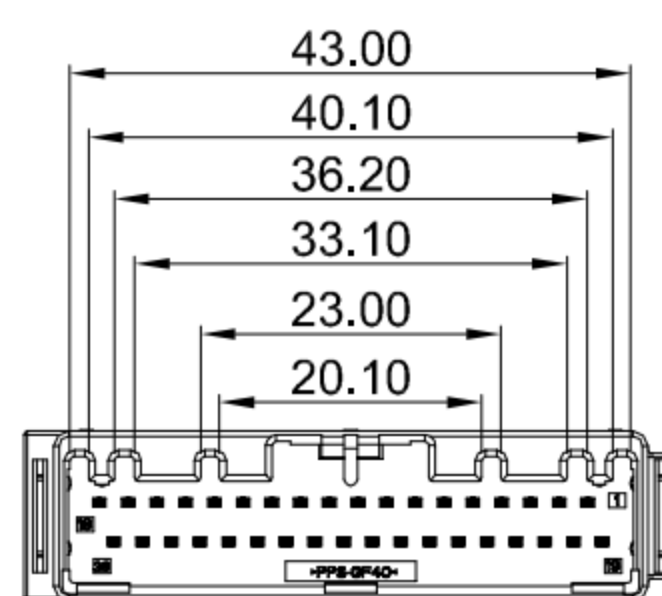
2x14pin Black



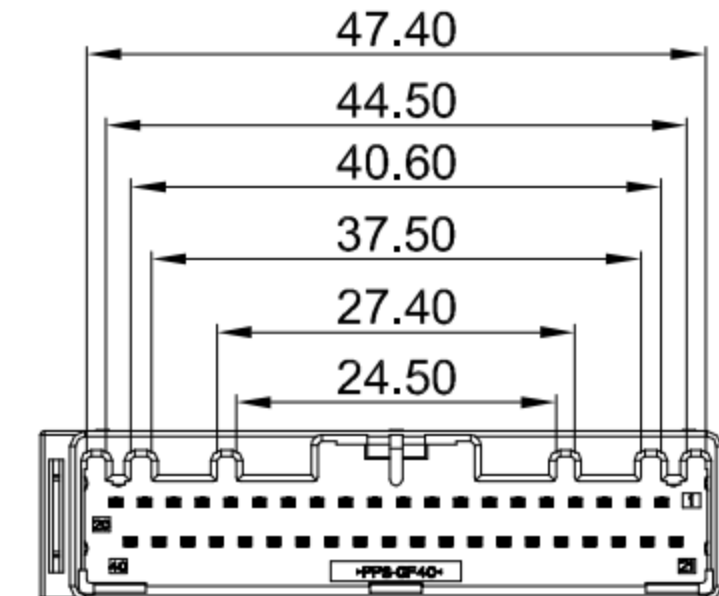
2x16pin Black



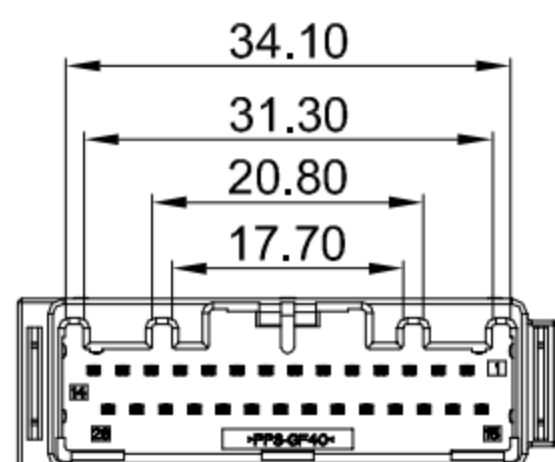
2x18pin Black



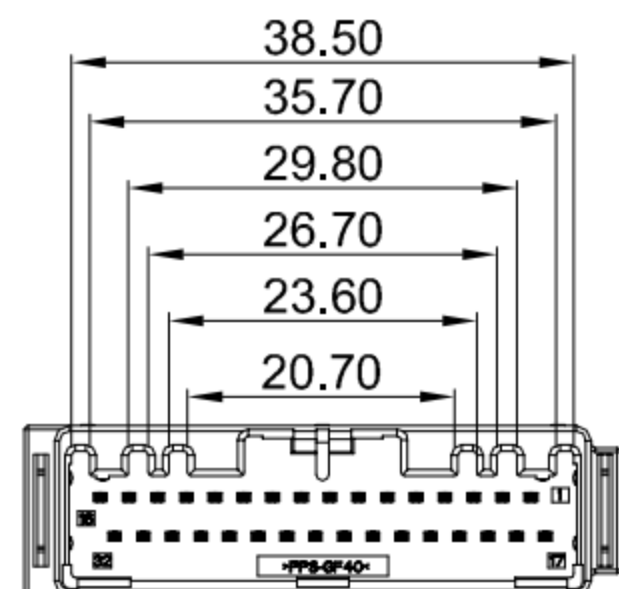
2x20pin Black



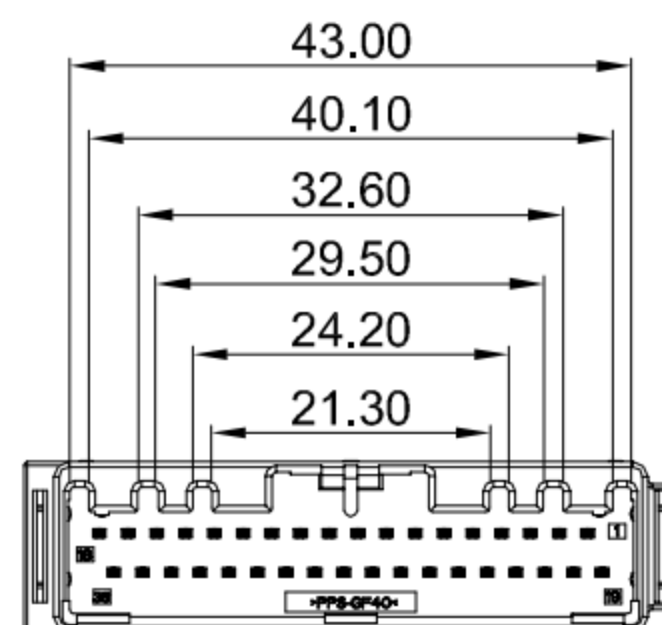
2x14pin Grey



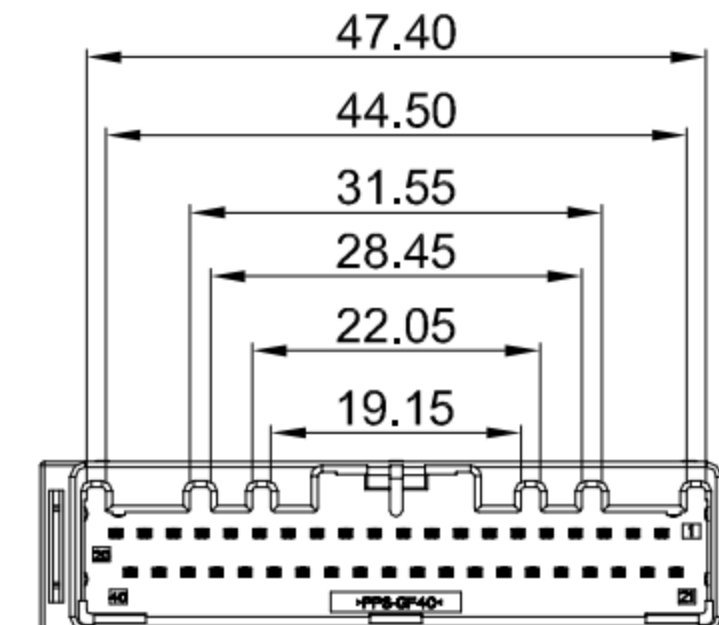
2x16pin Grey



2x18pin Grey



2x20pin Grey



SCALE: 1:1 UNIT: mm
 SIZE: A4

Title: Wafer 2.20mm Pitch 180° DIP Type Dual Rows Connector

Unless otherwise General Tolerance:

X ±0.40
 X.x ±0.30
 X.xx ±0.20
 X* ±5°
 X.x° ±3°

Molde Code: GT-A2201WVD-2XXXXX0X

DRAWN	CHECKED	APPROVED	DATE
Hu	Chen	Chen	2022.12.28



2	CONTACT	BRASS	BRIGHT Tin
1	HOUSING	PPS,94V-0	GREY OR BLACK
NO.	PART NAME	MATERIAL	REMARK



REV: A0 SHEET: 2/2

A

B

C

D

E